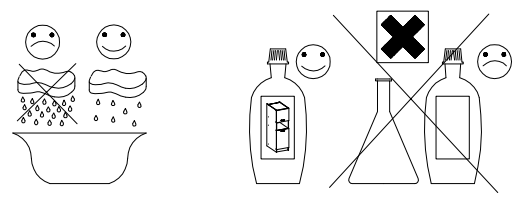
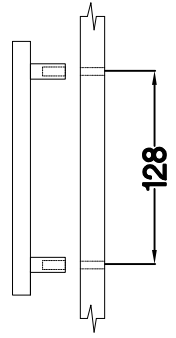
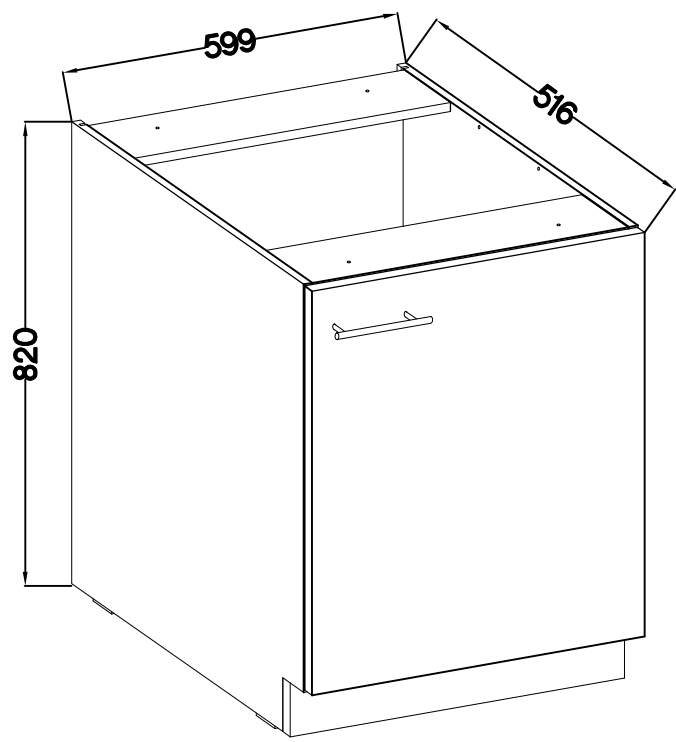


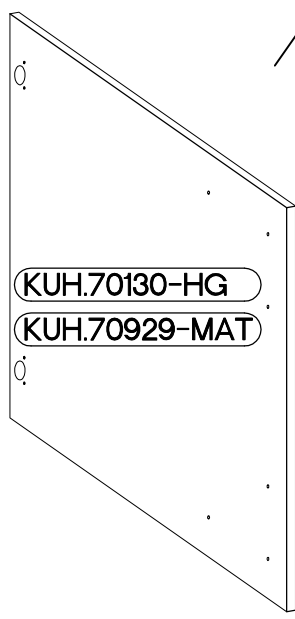
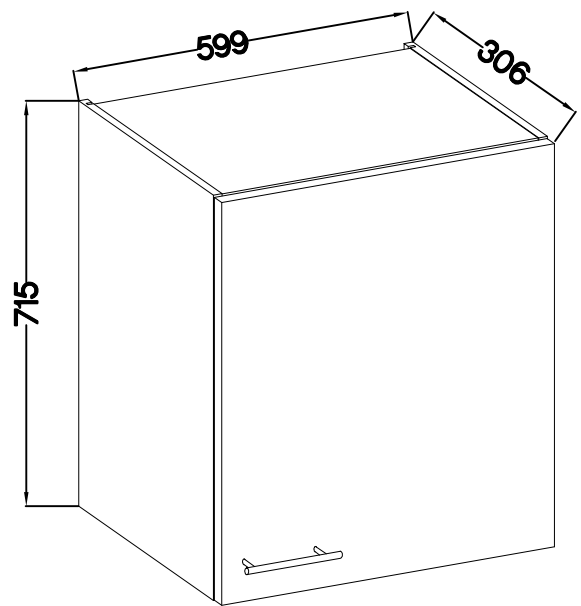
60 D 1F BB
60 G-72 1F
FRONT


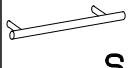


60 D 1F BB



60 G-72 1F



M4x22mm	L=128mm
	
U	S
2	1

ISM-KUH-01645

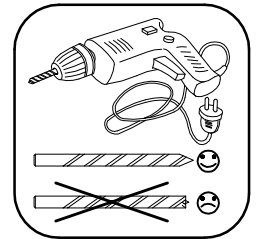
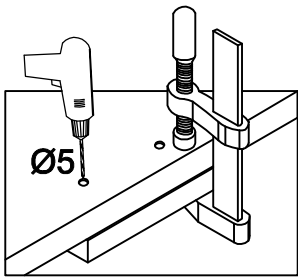
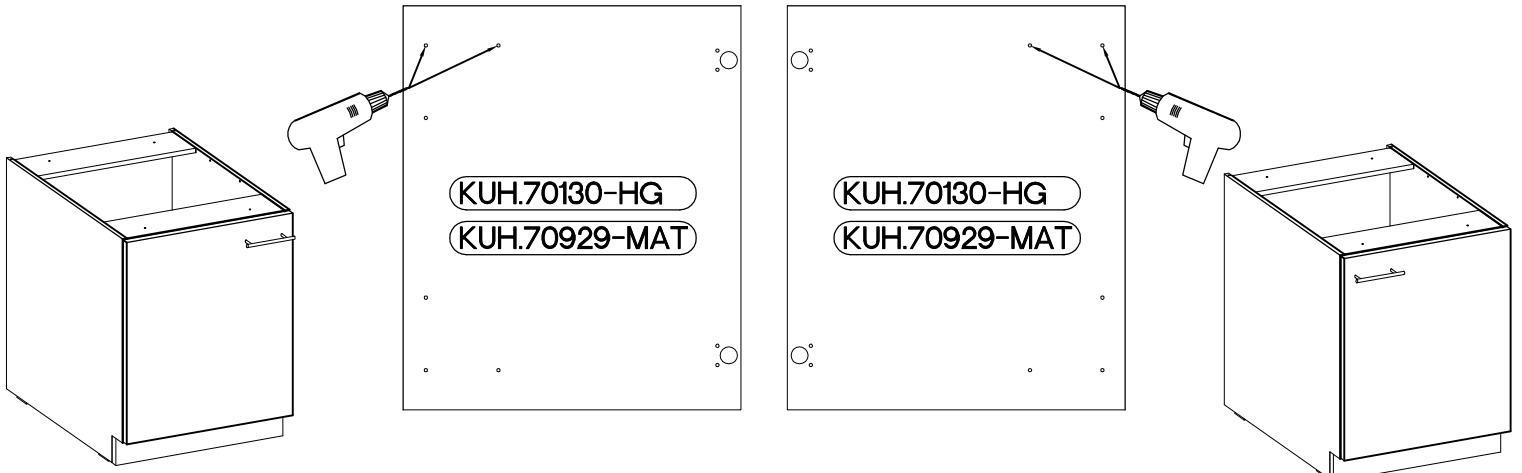
1 60 D 1F BB





LEFT

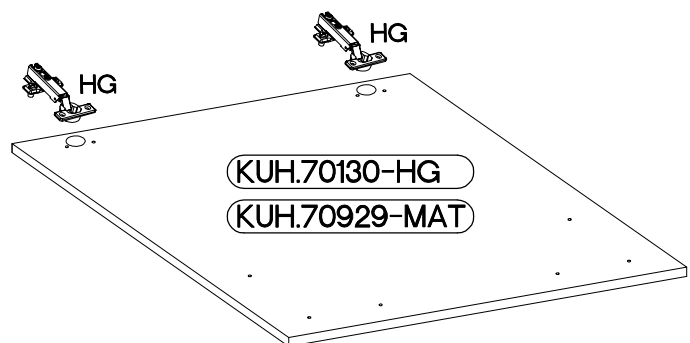
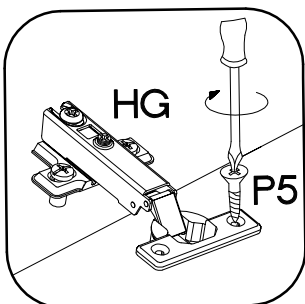


RIGHT


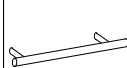


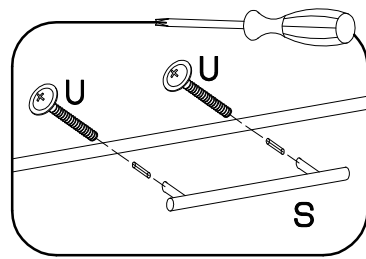
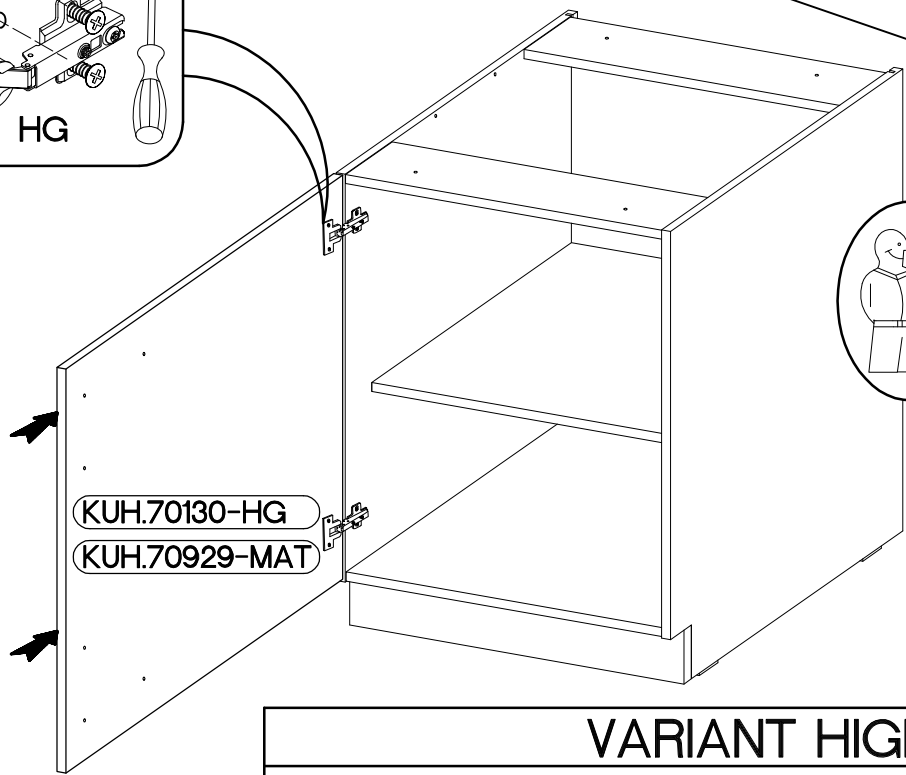
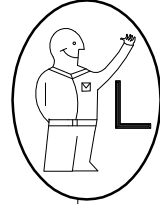
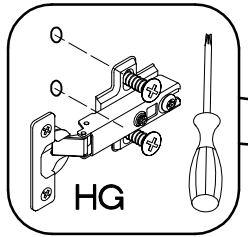
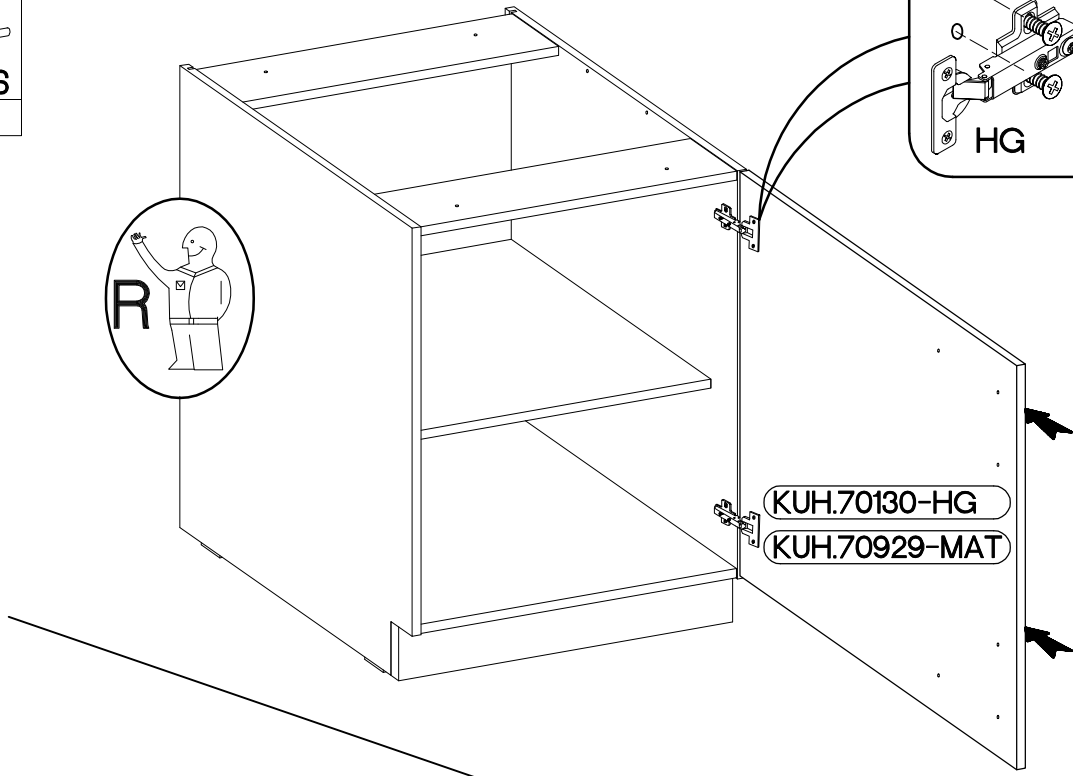
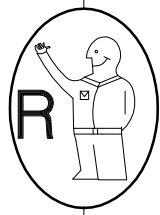
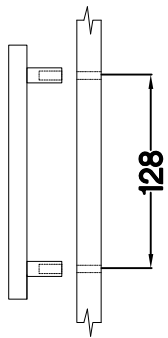
2

$\pm 35/0\text{mm}$	$\pm 3.5 \times 13\text{mm}$
	
[CD] HG	P5
2	4

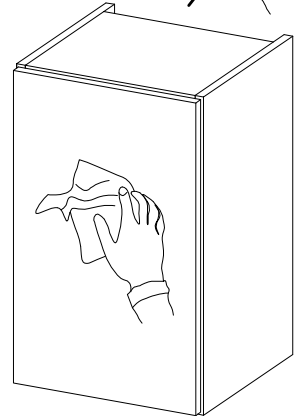
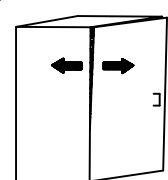
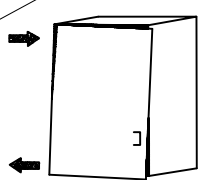
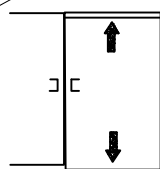
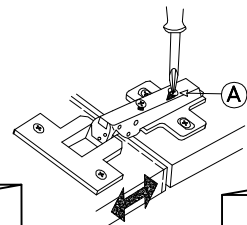
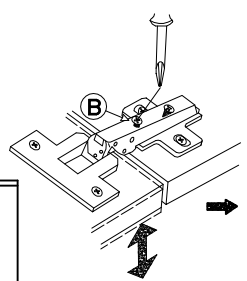
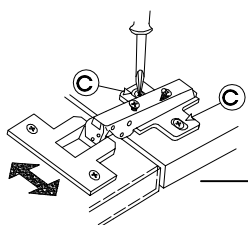
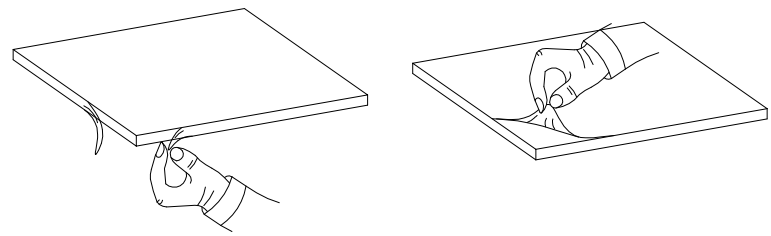


3

M4x22mm	L=128mm
	
U	S
2	1



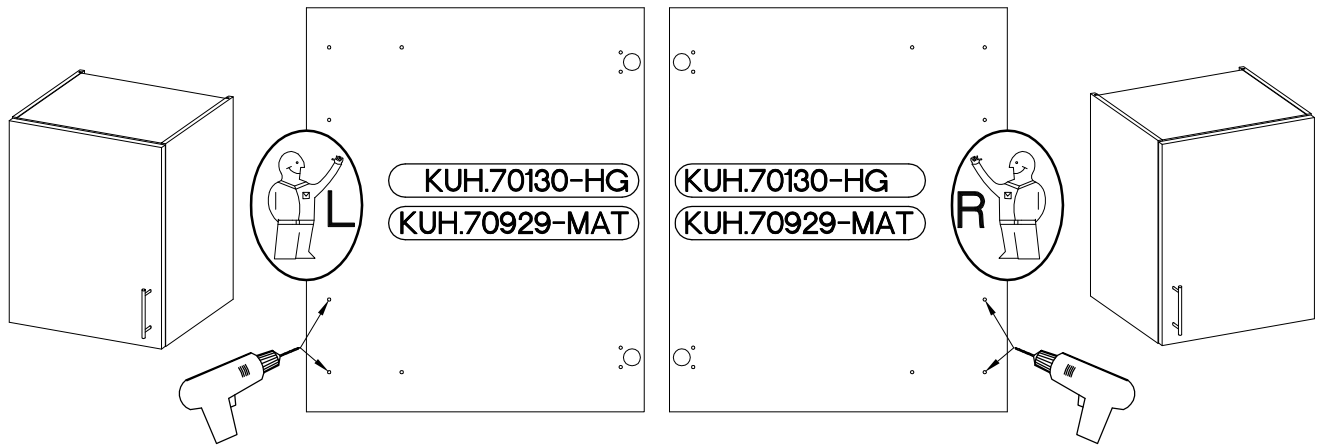
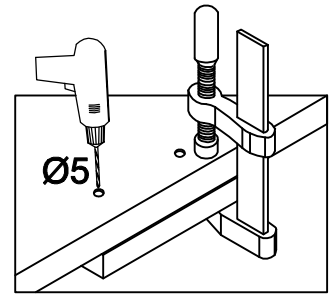
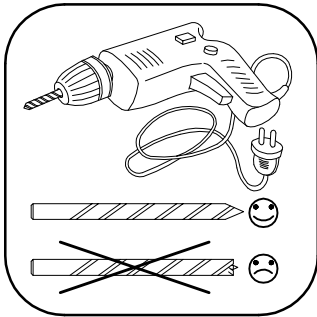
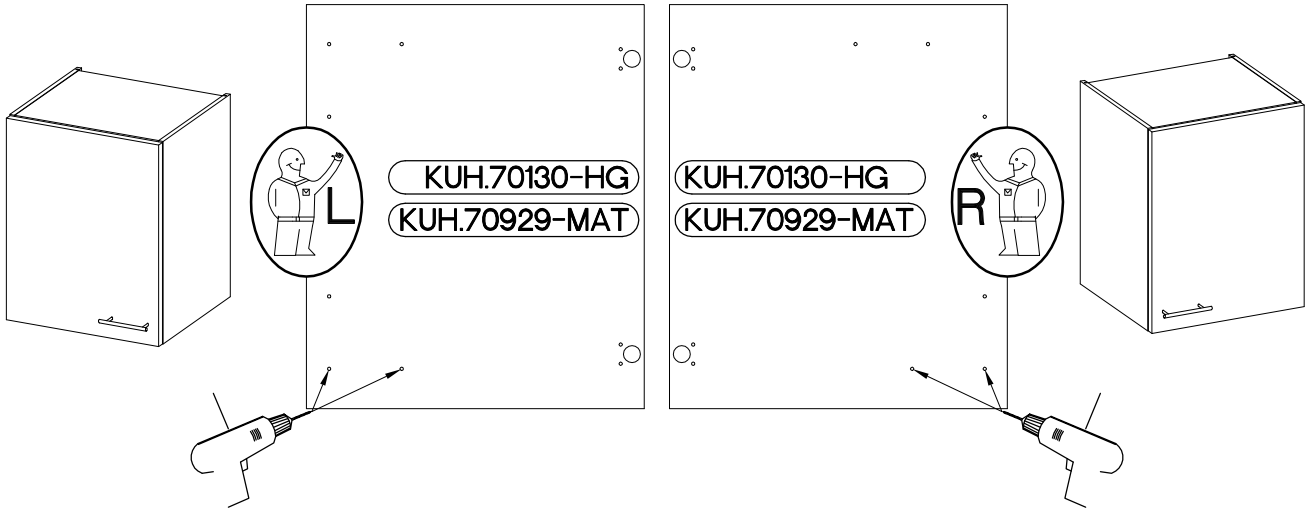
VARIANT HIGH GLOSS



4 60 G-72 1F

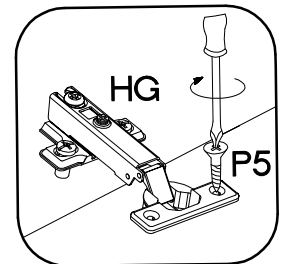
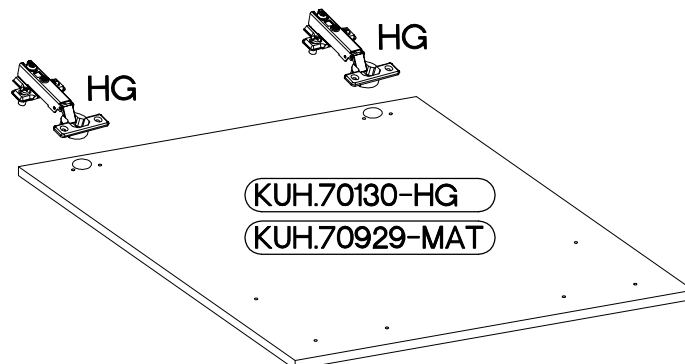
LEFT

RIGHT





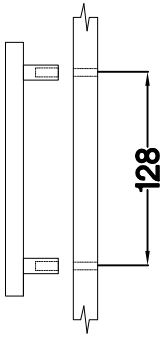
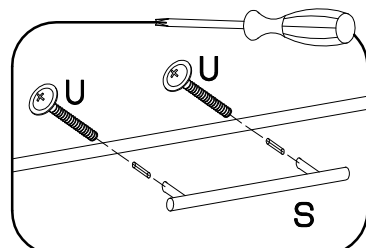
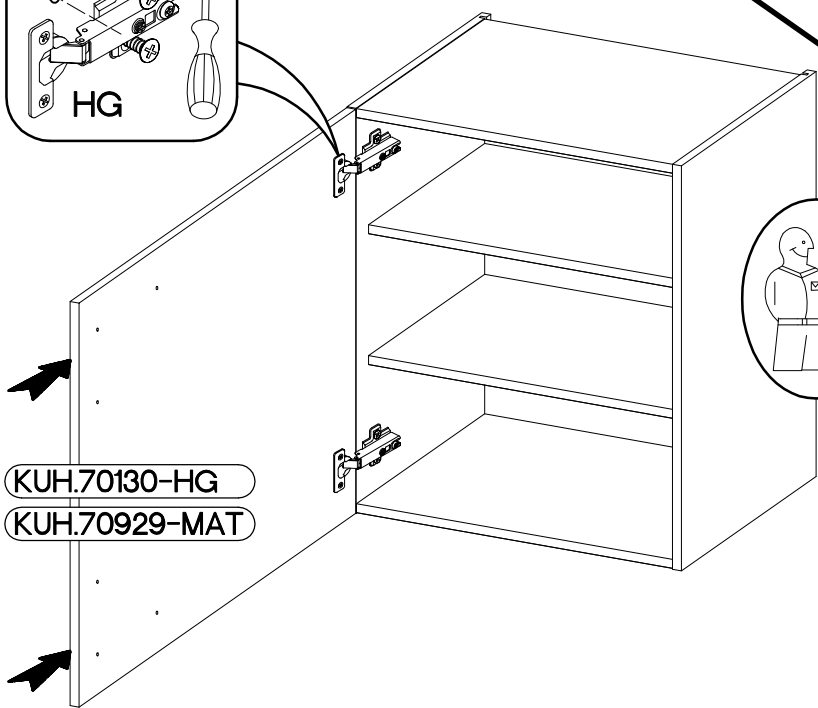
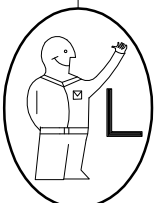
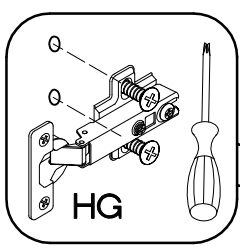
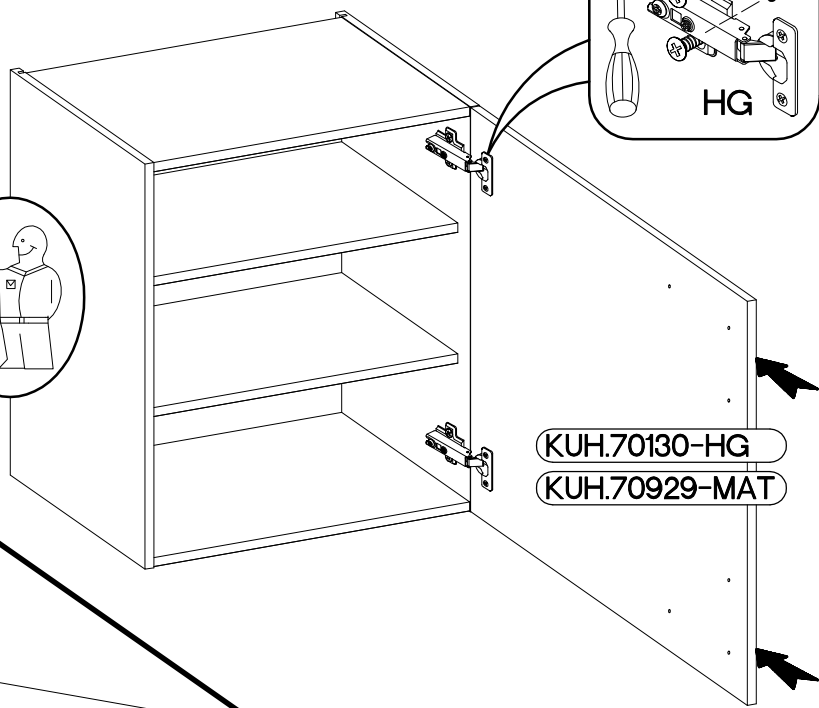
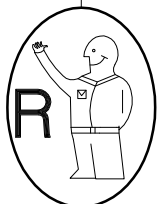
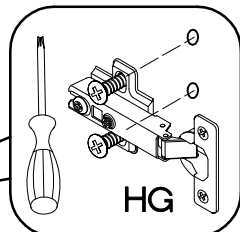
5

+35/0mm [CD] HG 2	+3.5x13mm P5 4
-------------------------	----------------------

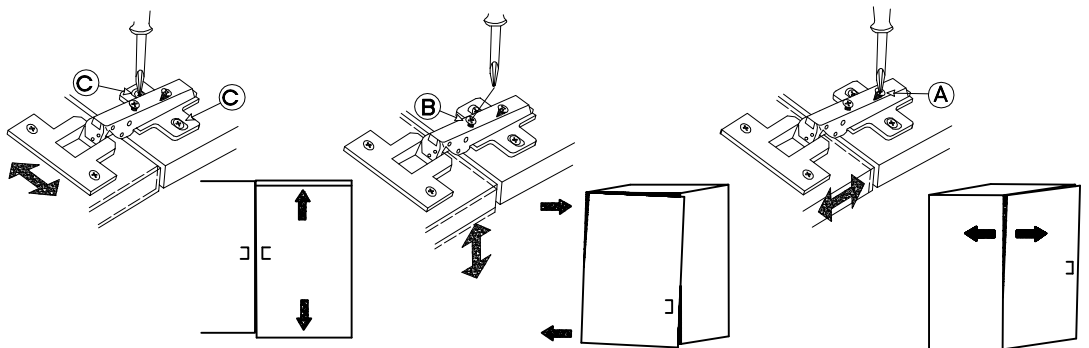
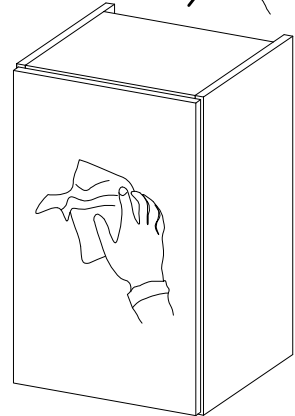
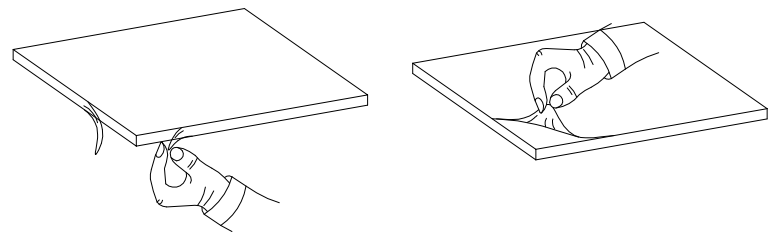


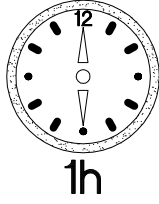
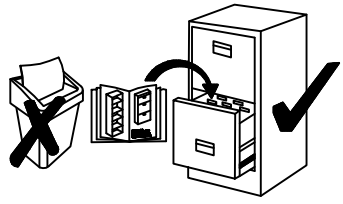
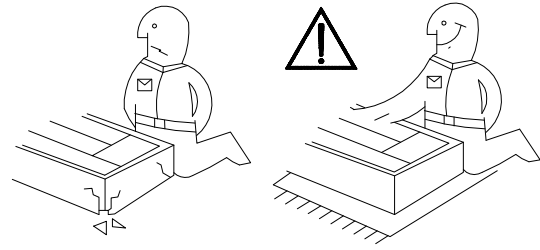
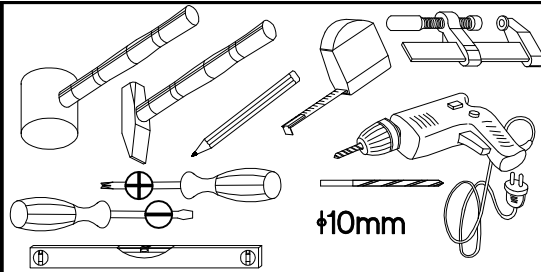
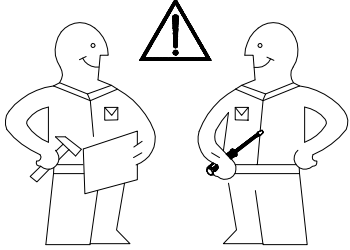
6

M4x22mm	L=128mm
	
U	S
2	1

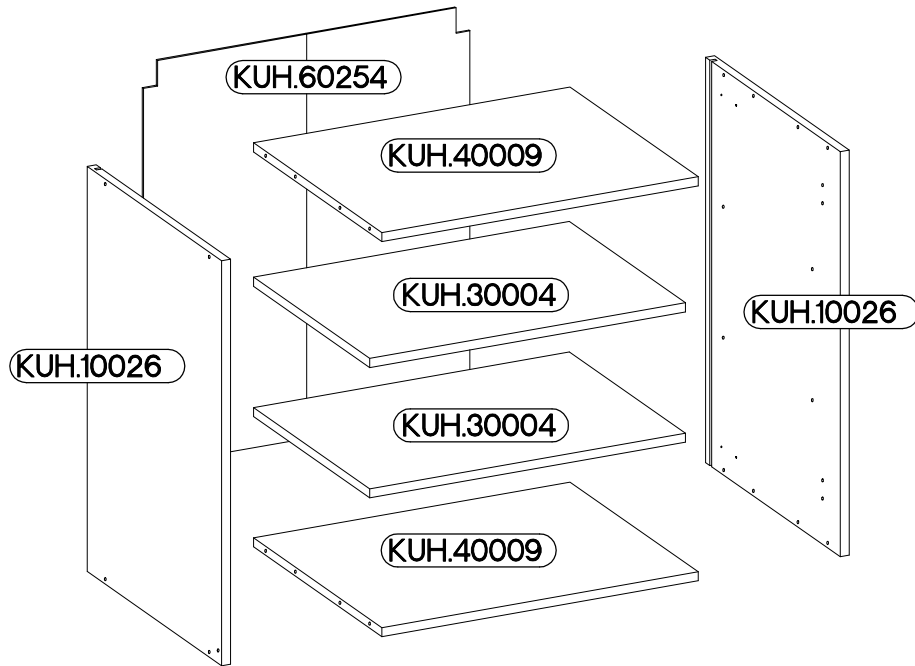
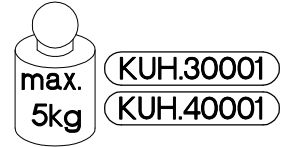
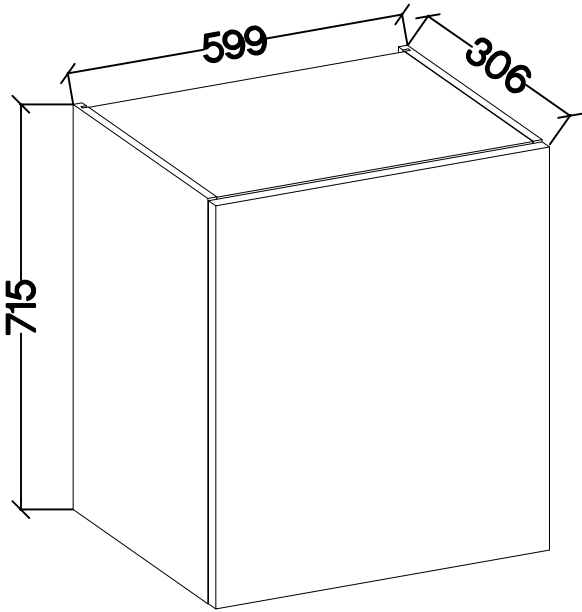
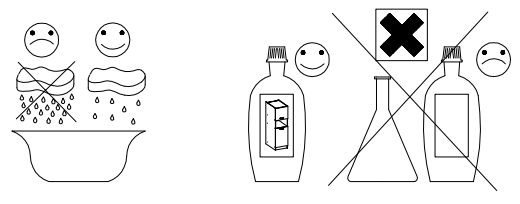


VARIANT HIGH GLOSS

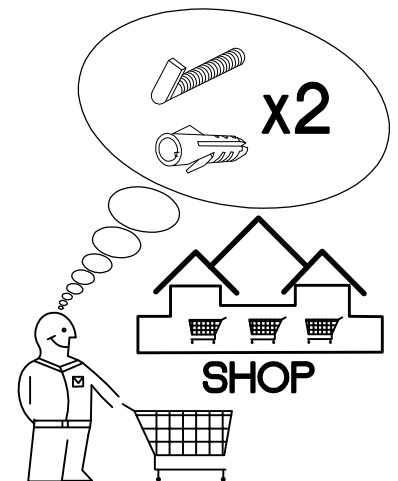




60 G-72 1F

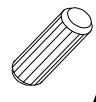

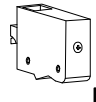


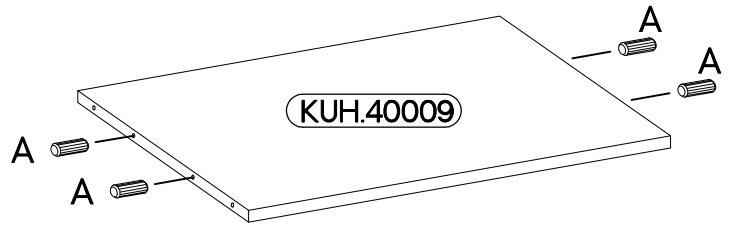
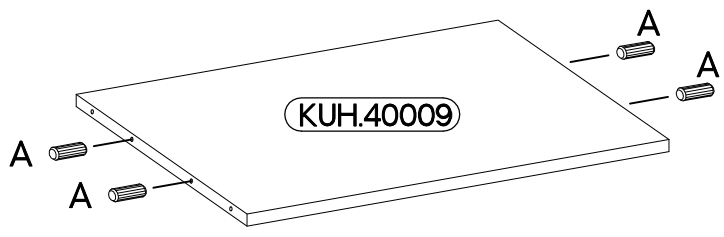
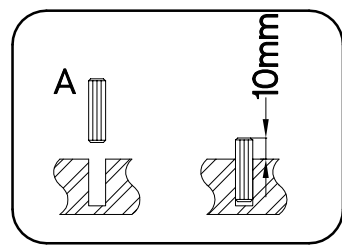
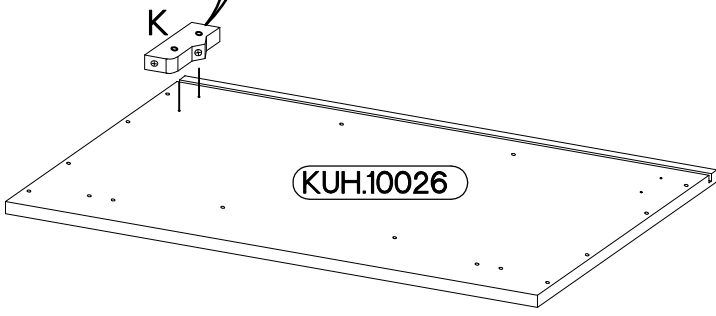
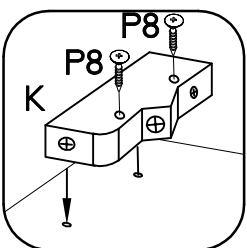
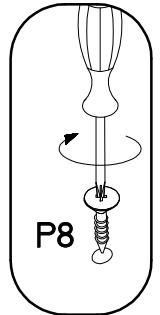
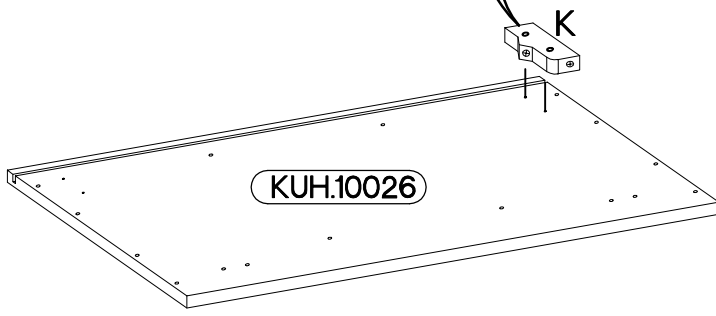
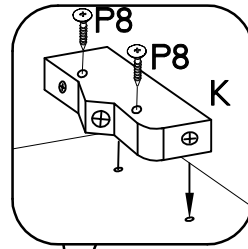
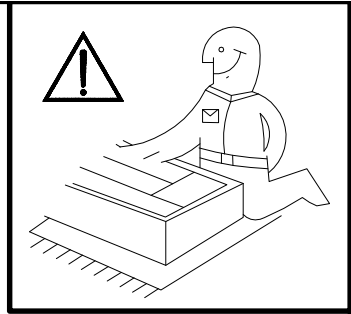
$\pm 8 \times 30 \text{mm}$ A 8	$6,4 \times 50 \text{mm}$ B 8	 E1 8	$\pm 35 / 0 \text{mm}$ [CD] HG 2
$\pm 5 / 19 \text{mm}$ J 8	 K 2	 O 1	$\pm 3,5 \times 13 \text{mm}$ P5 4
			$\pm 3,0 \times 20 \text{mm}$ P7 8-10
			$\pm 4,0 \times 30 \text{mm}$ P8 4



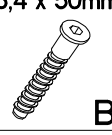
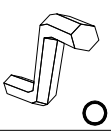
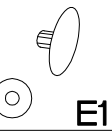
ISM-KUH-01626

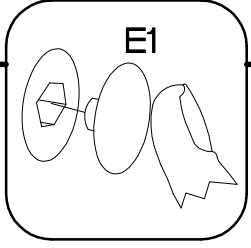
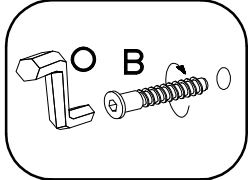
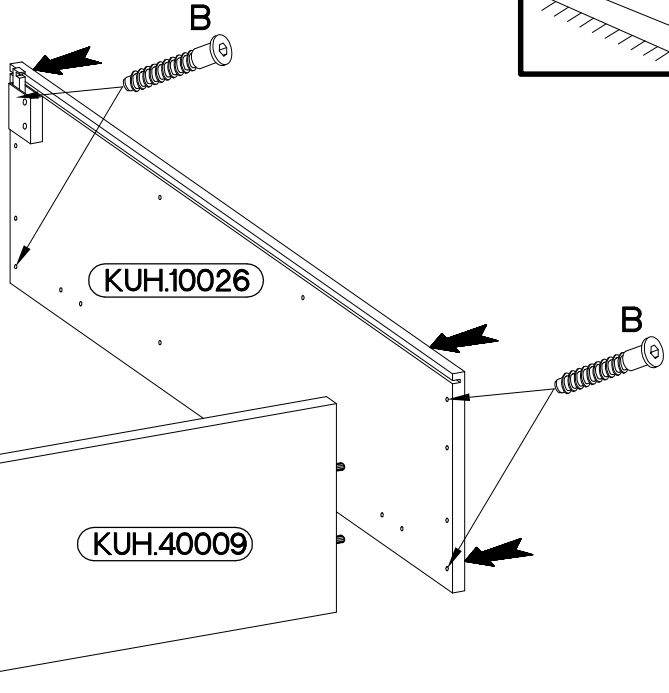
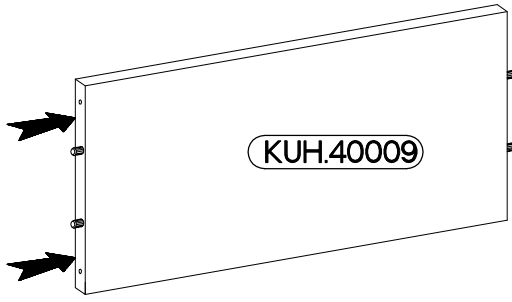
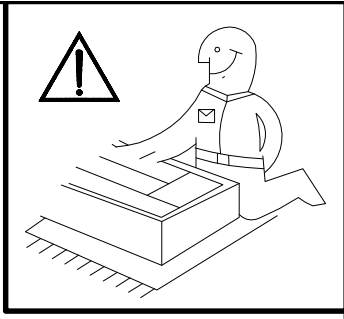
1

 A 8	 P8 4	 K 2
--	---	--

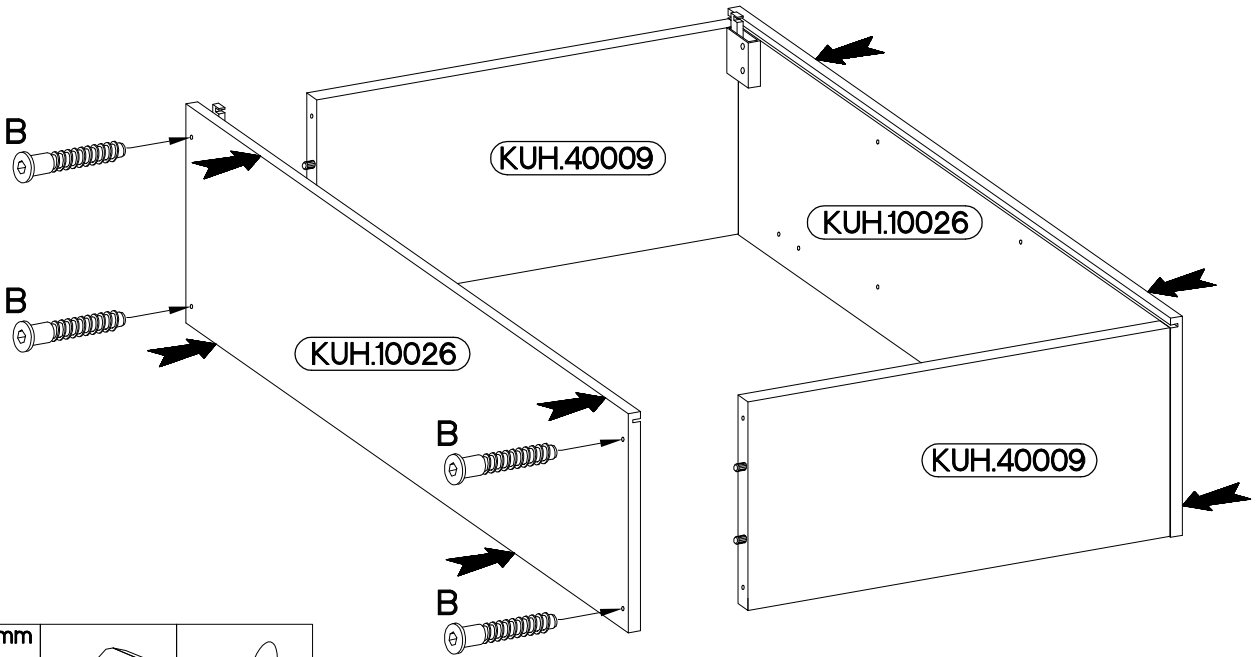


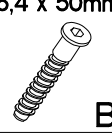
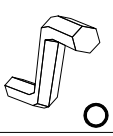
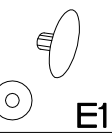
2

6,4 x 50mm		
		
B	O	E1
4	1	4

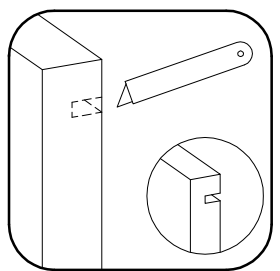
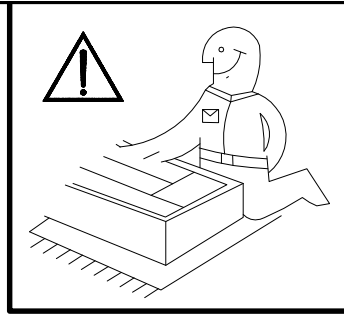
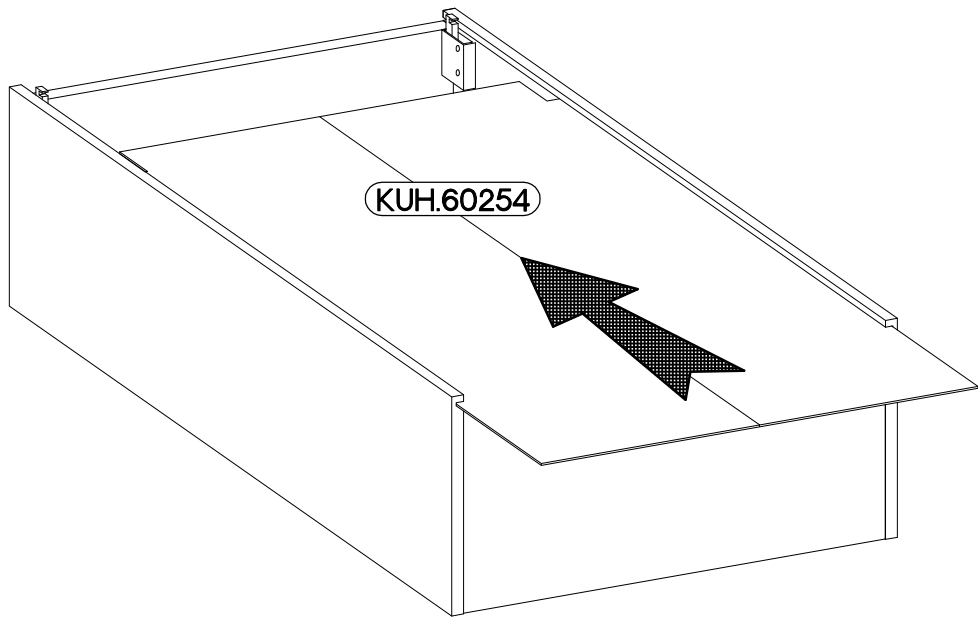


3

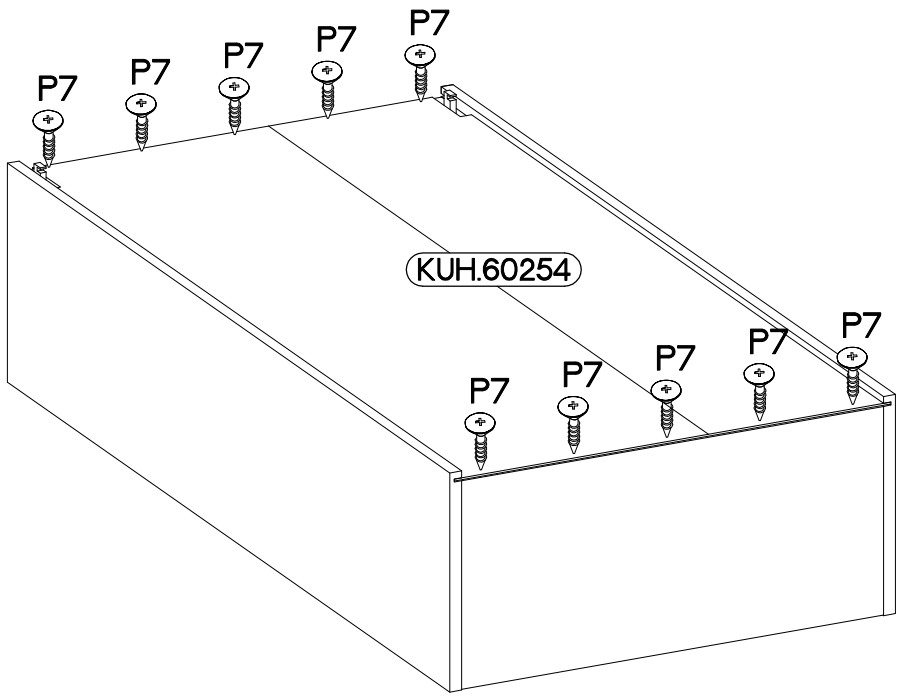
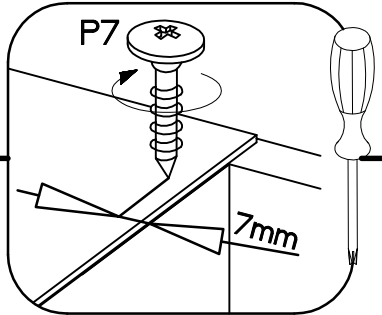
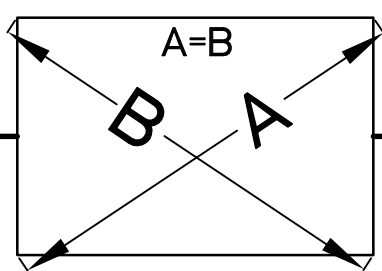
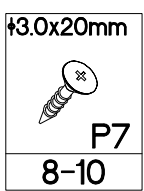


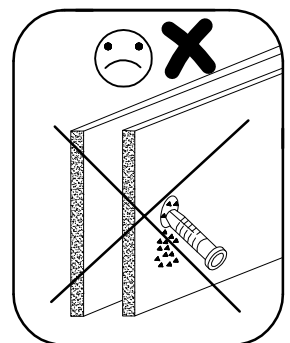
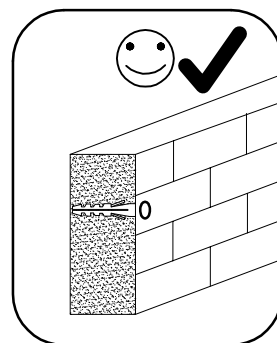
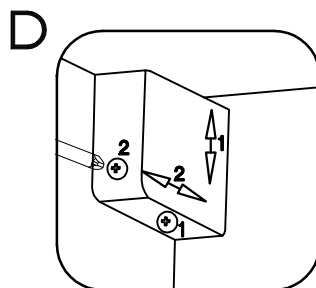
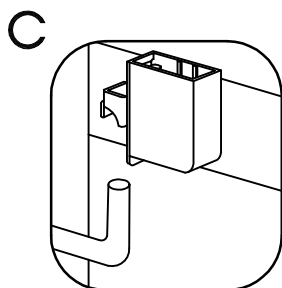
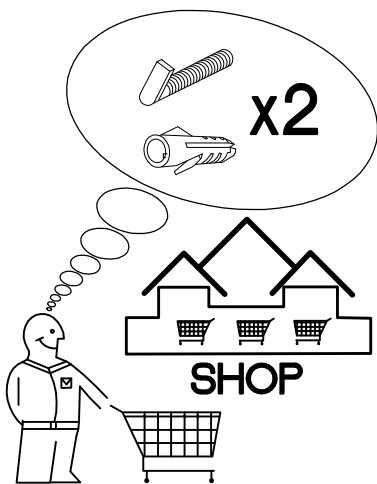
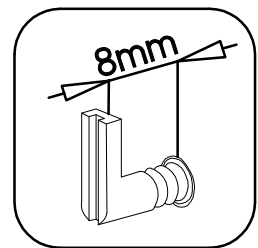
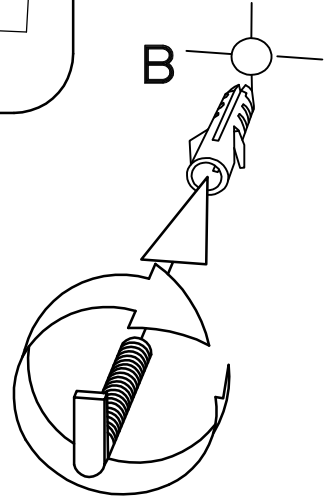
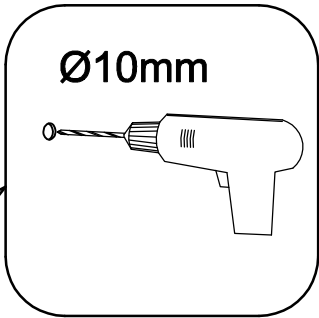
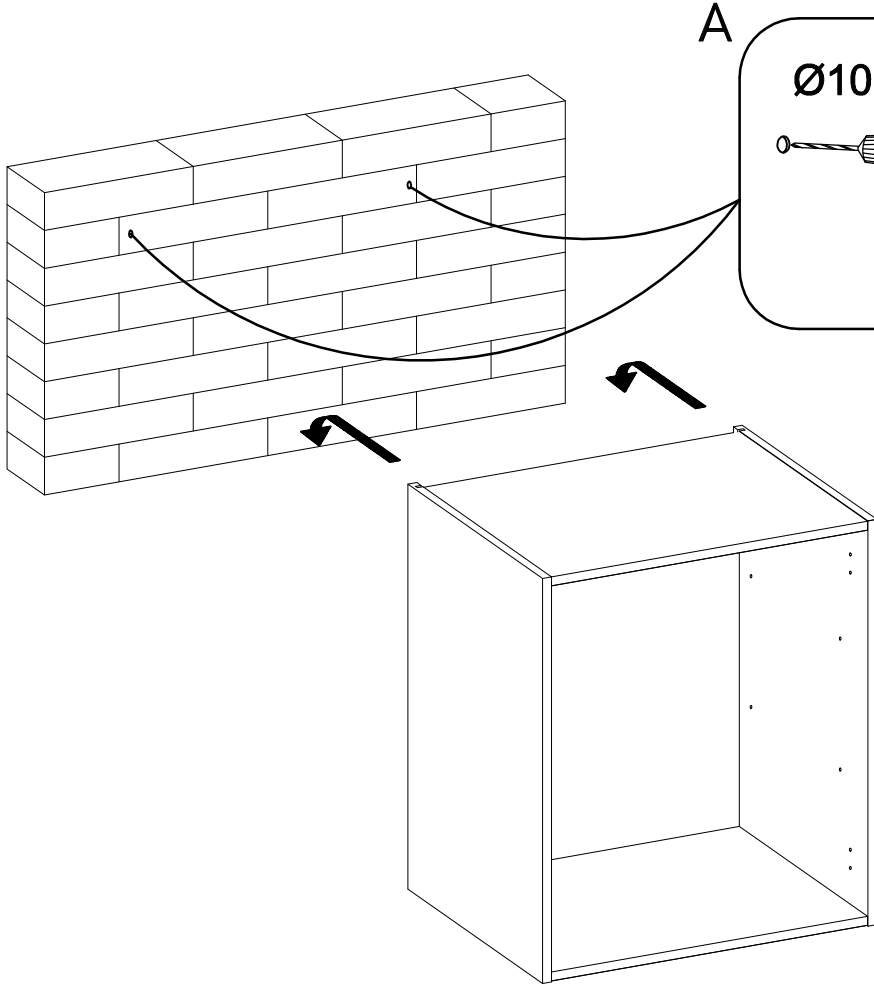
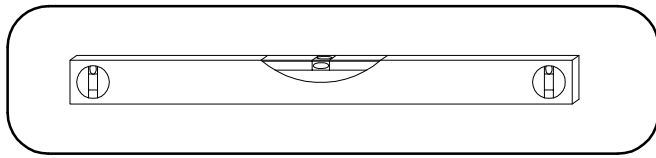
6,4 x 50mm		
		
B	O	E1
4	1	4

4

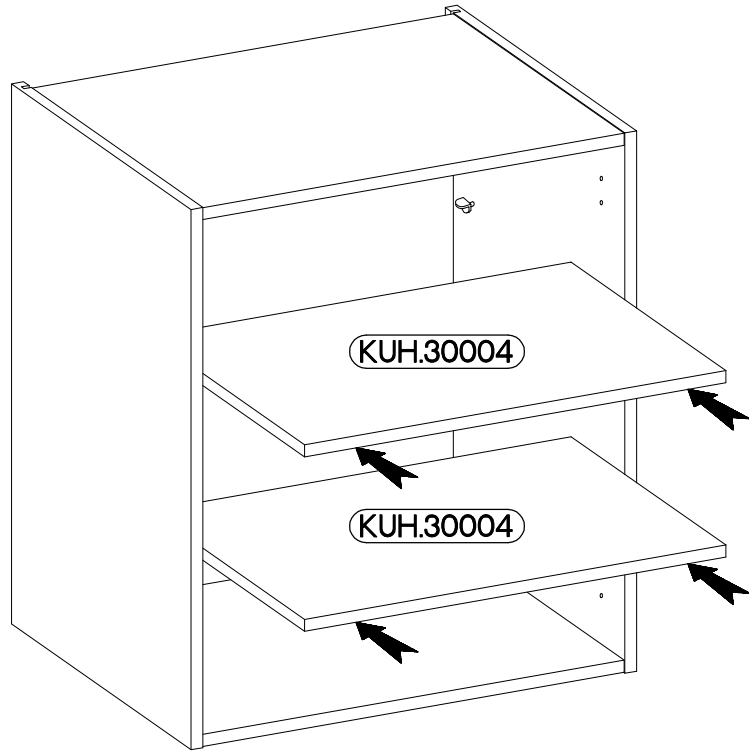
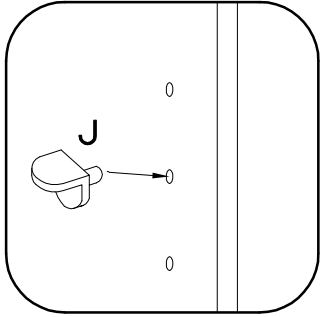
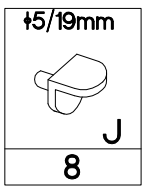


5





7



8

FRONT

