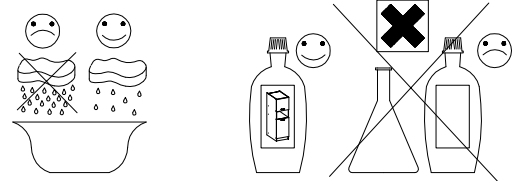
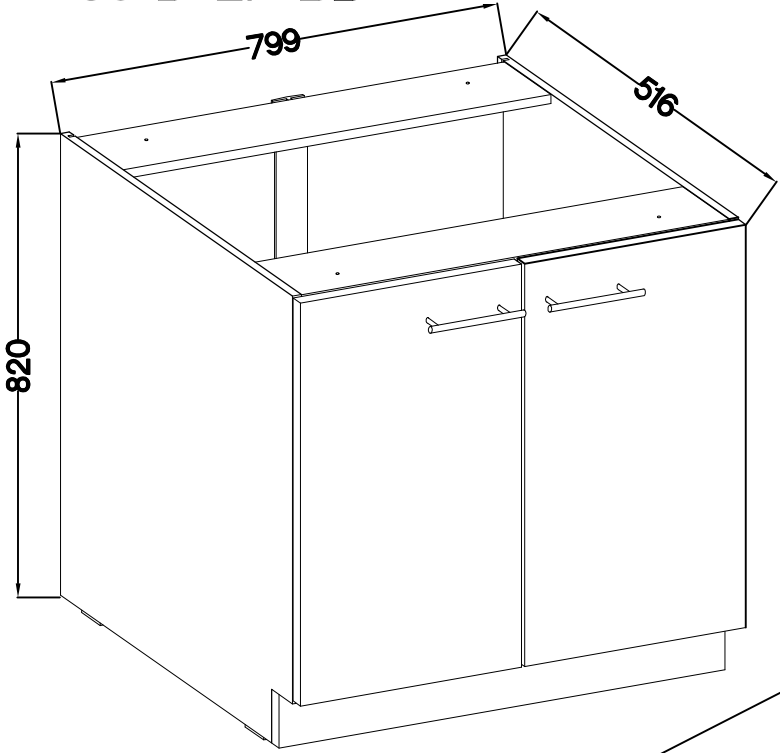


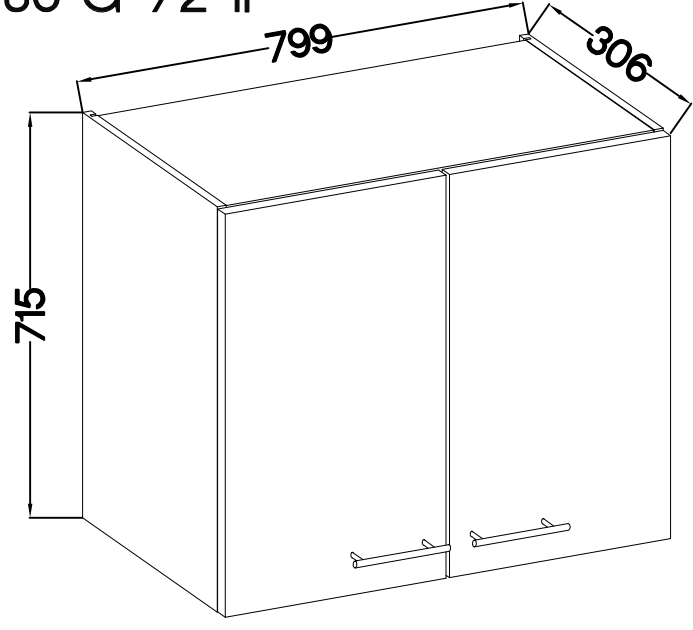
80 D 2F BB
 80 ZL 2F BB
 80 G-72 1F
 FRONT



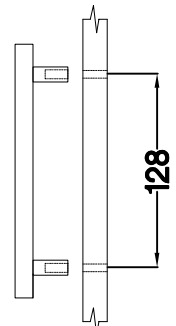
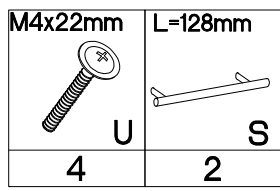
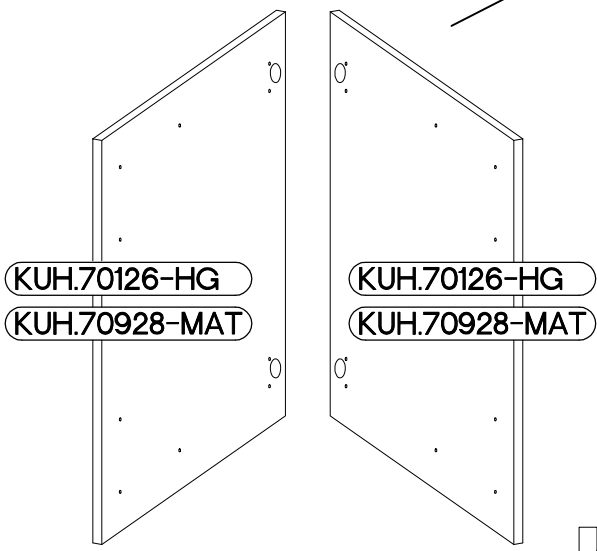
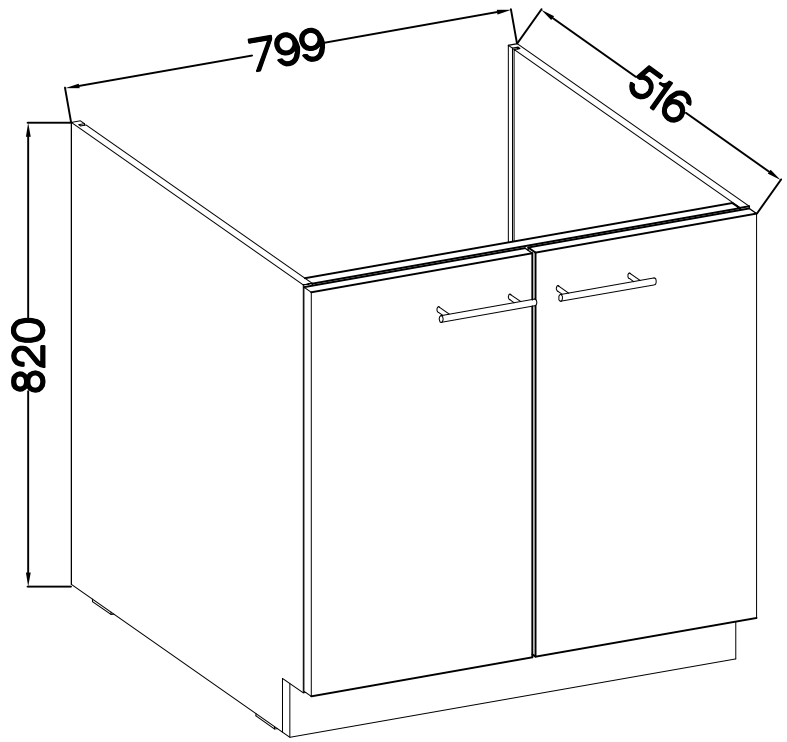
80 D 2F BB



80 G-72 1F



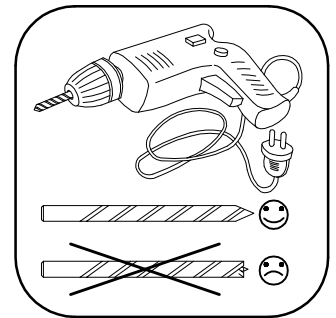
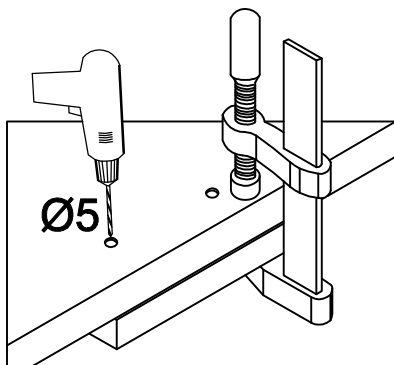
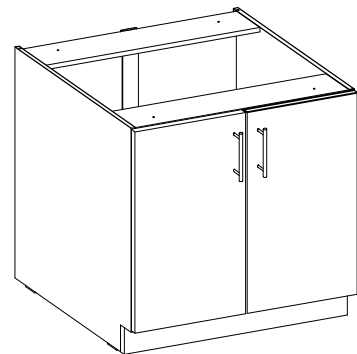
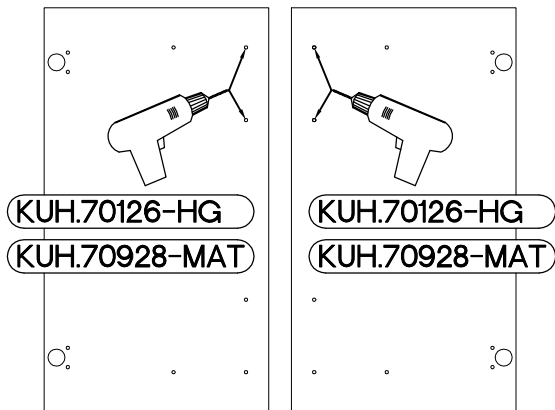
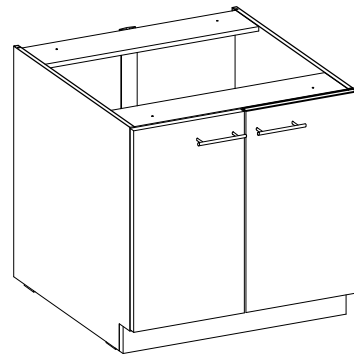
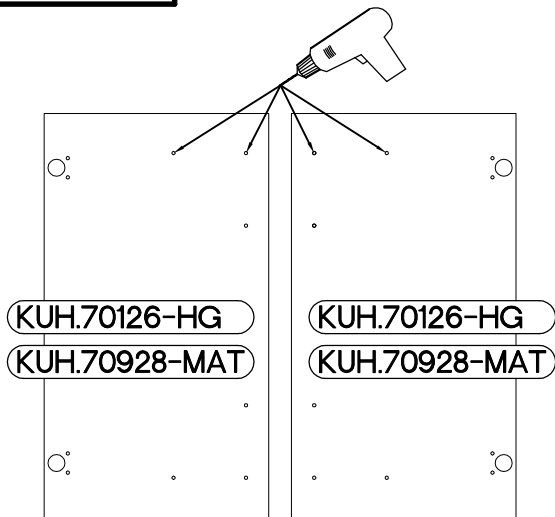
80 ZL 2F BB



ISM-KUH-01654

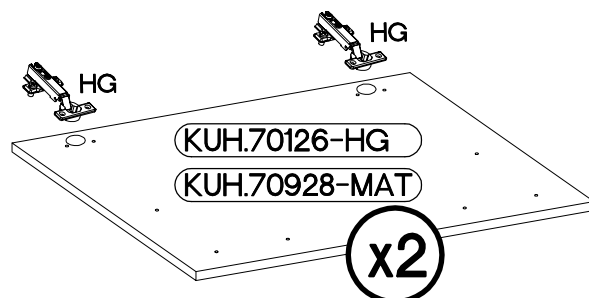
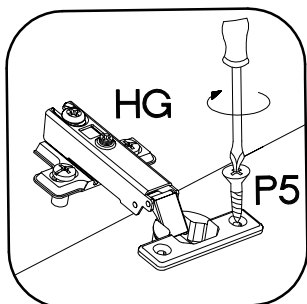
1

80 D 2F BB





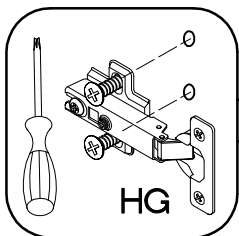
2

±35/0mm [CD] HG 4	±3.5x13mm P5 8
-------------------------	----------------------

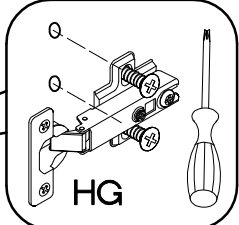
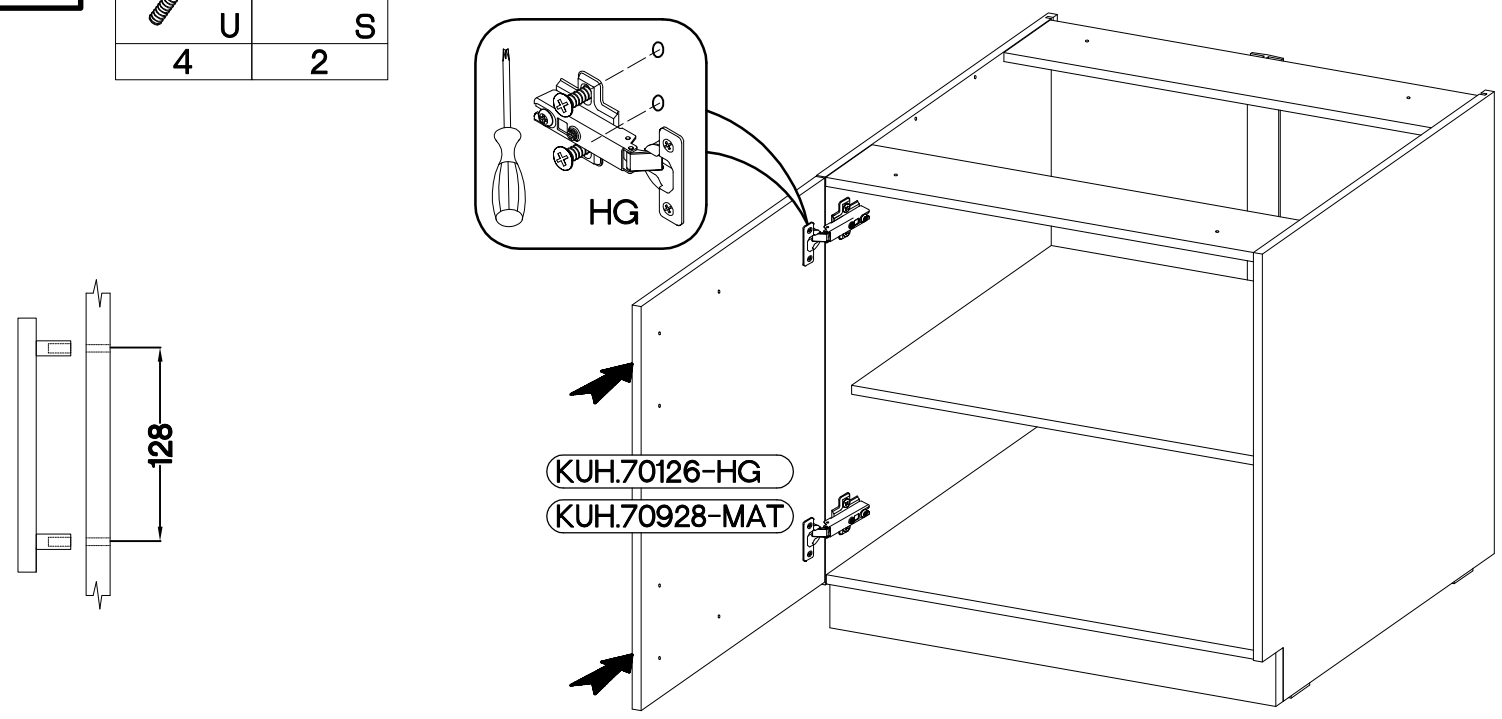
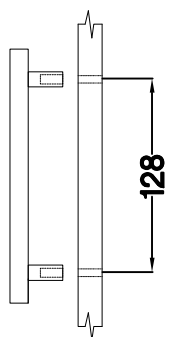


3

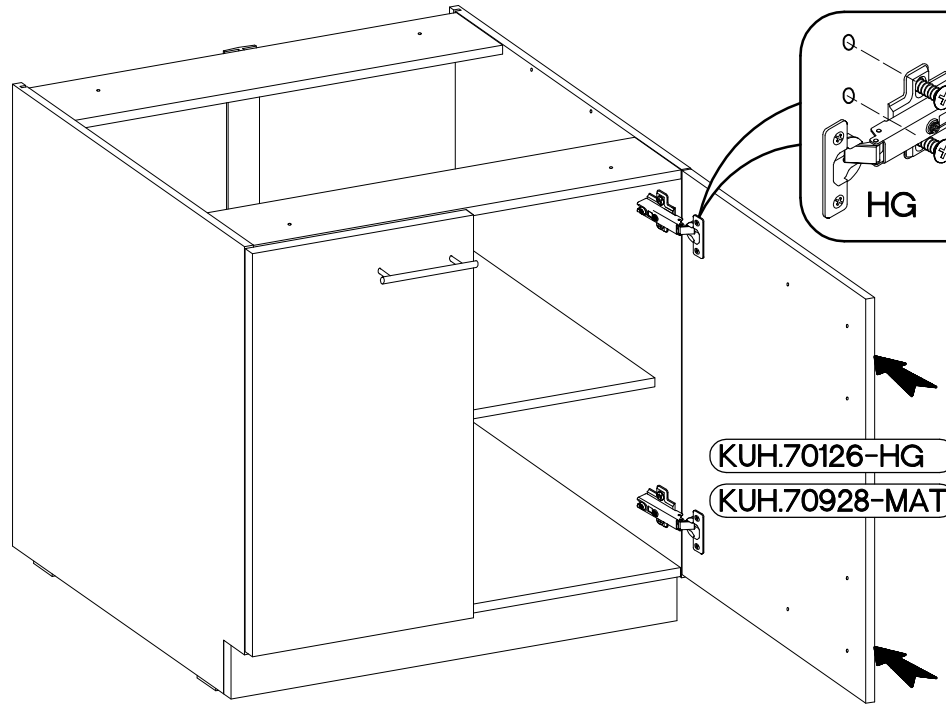
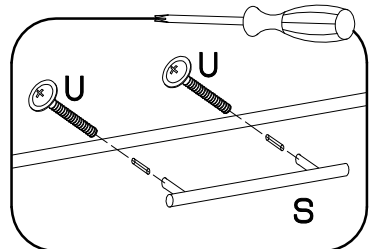
M4x22mm	L=128mm
	
U	S
4	2



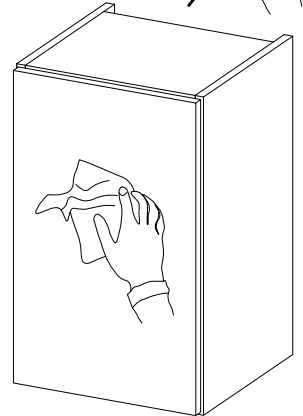
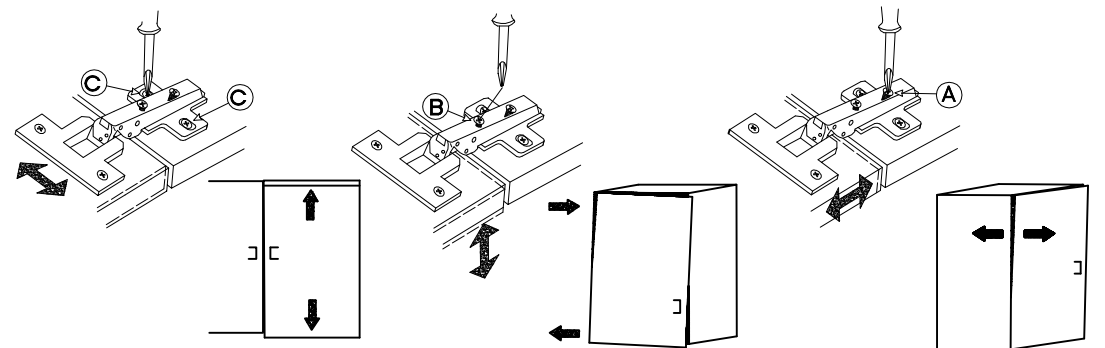
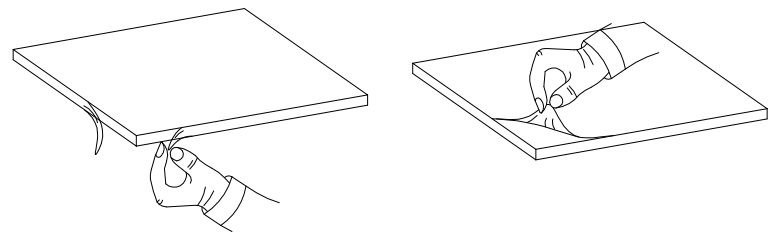
KUH.70126-HG
KUH.70928-MAT



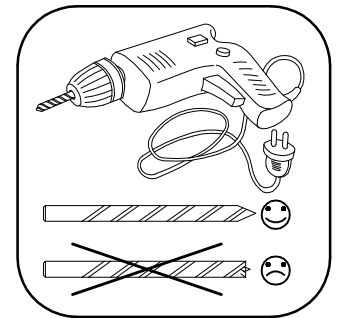
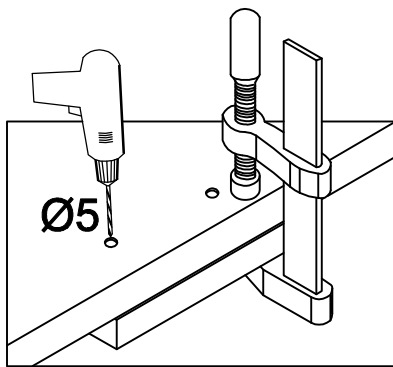
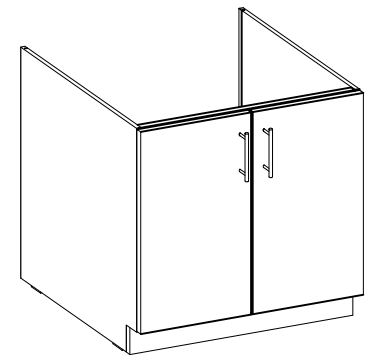
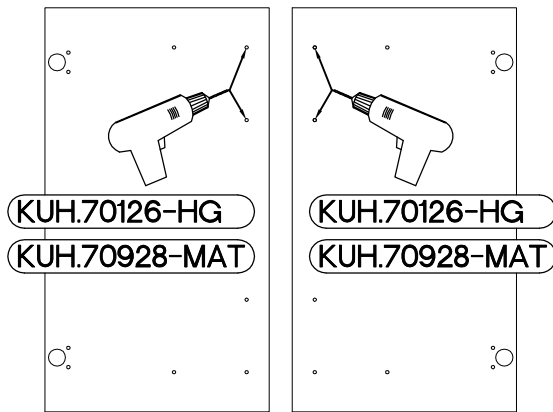
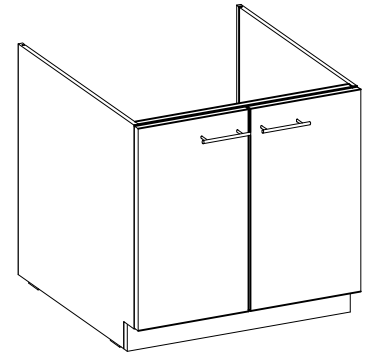
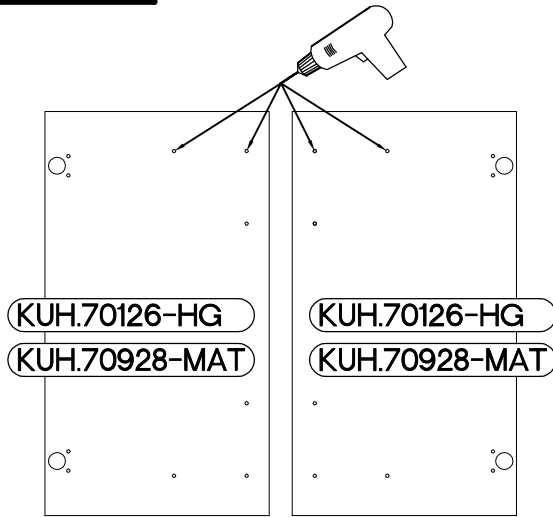
KUH.70126-HG
KUH.70928-MAT



VARIANT HIGH GLOSS

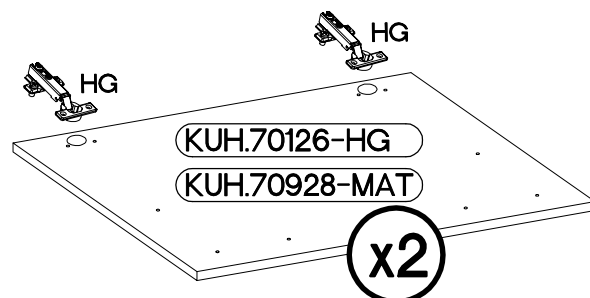
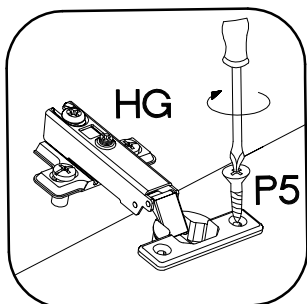


4 80 D ZL BB





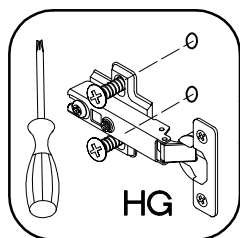
5

±35/0mm [CD] HG 4	±3.5x13mm P5 8
-------------------------	----------------------

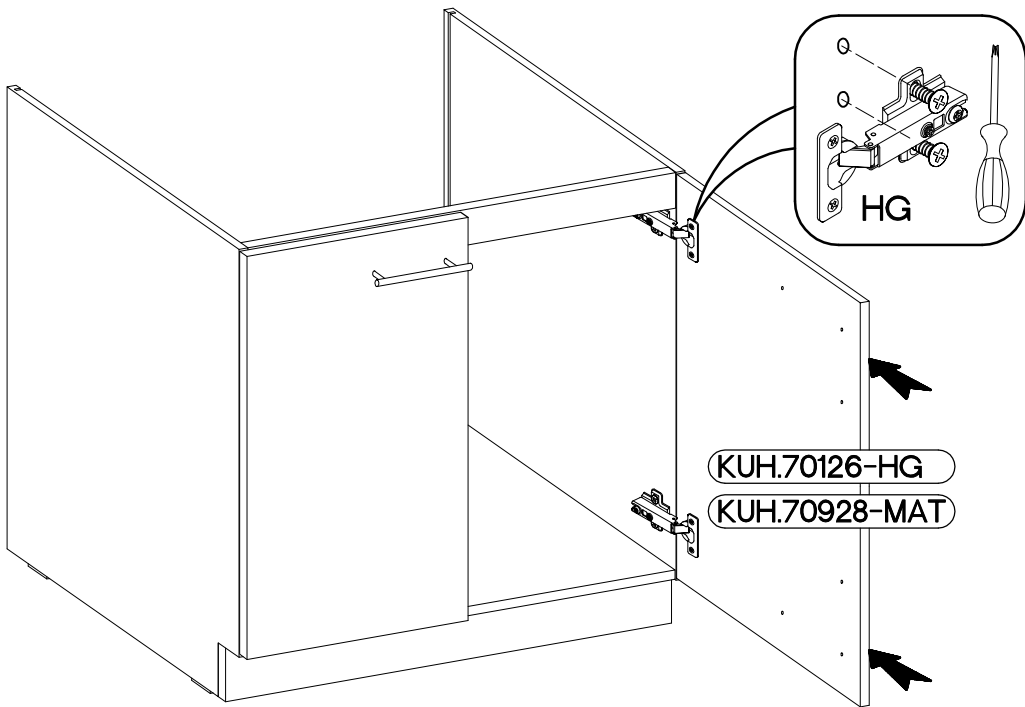
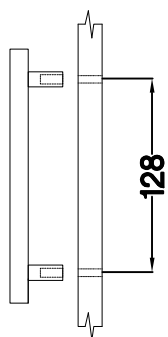


6

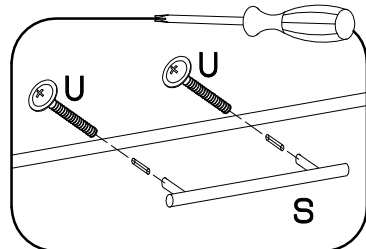
M4x22mm	L=128mm
	
U	S
4	2



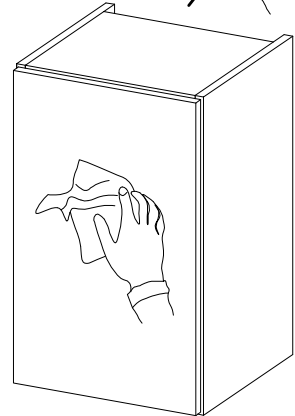
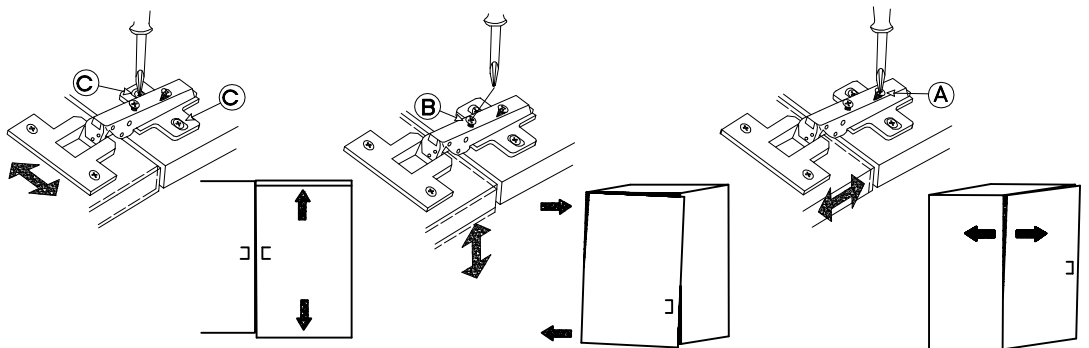
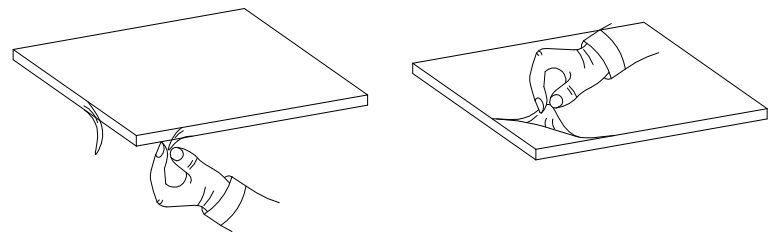
KUH.70126-HG
KUH.70928-MAT



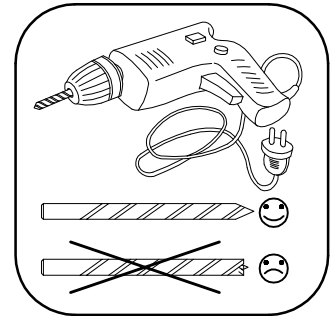
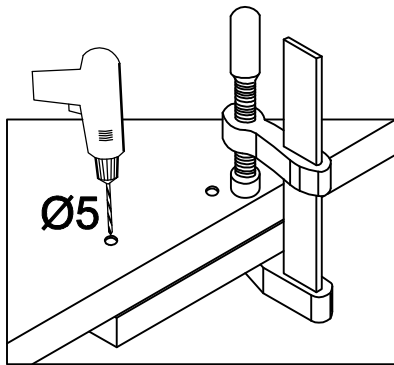
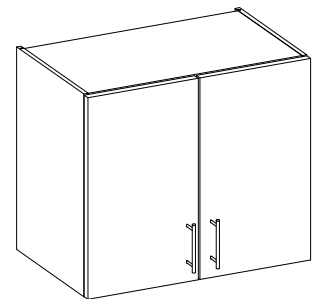
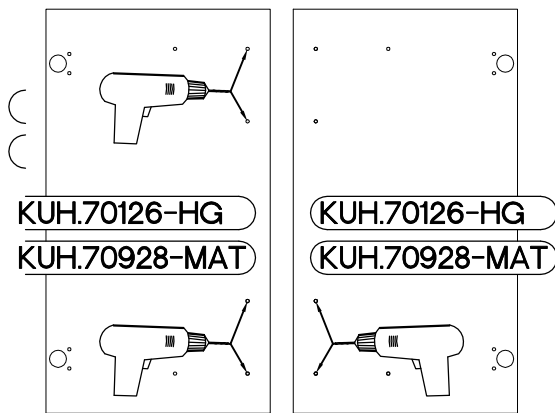
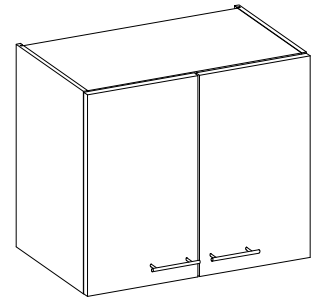
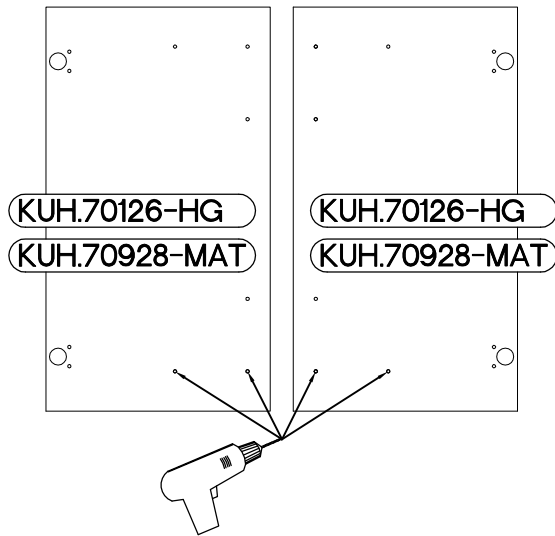
KUH.70126-HG
KUH.70928-MAT



VARIANT HIGH GLOSS

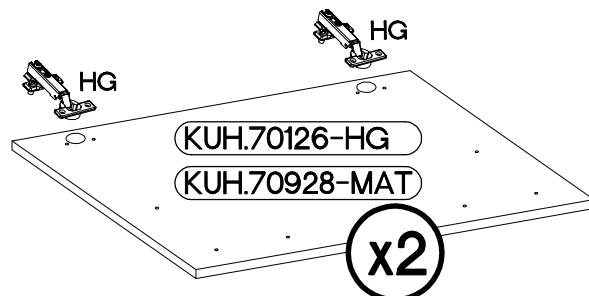
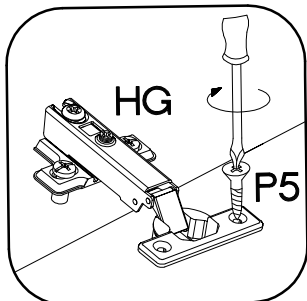


7 80 G-72 1F





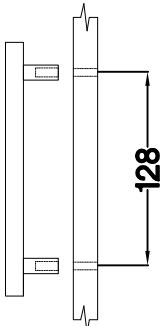
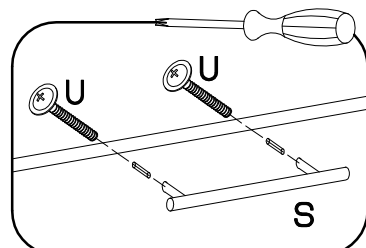
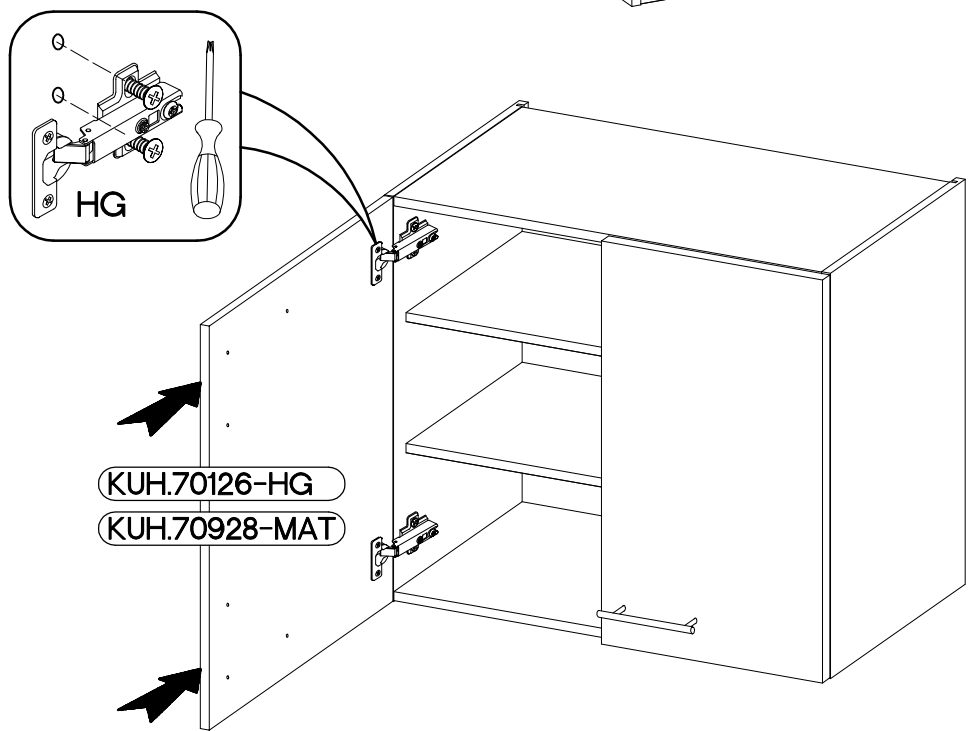
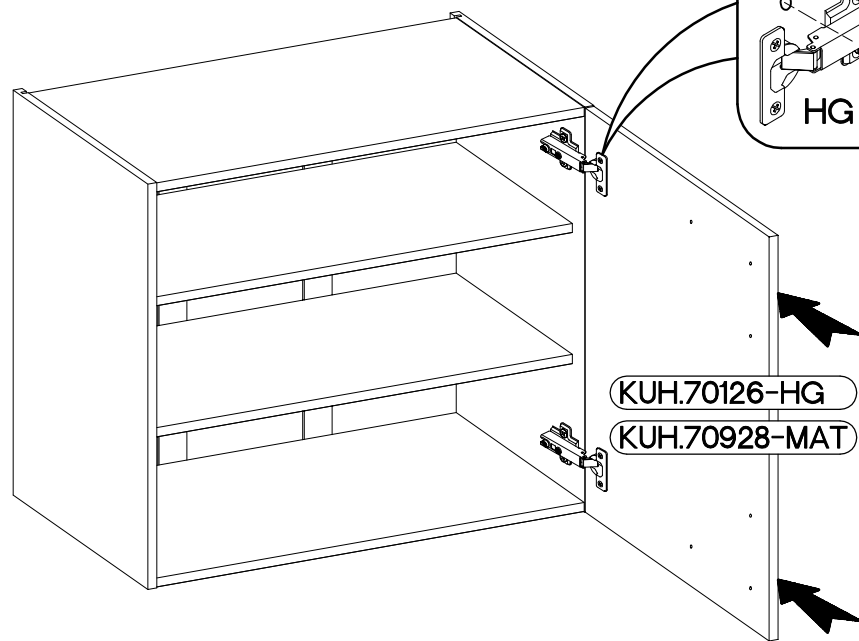
8

±35/0mm [CD] HG 4	±3.5x13mm P5 8
-------------------------	----------------------

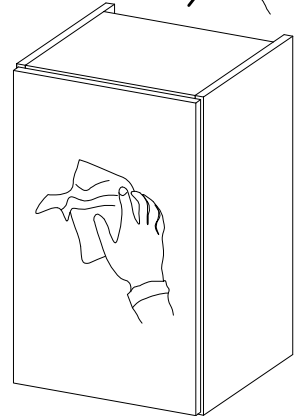
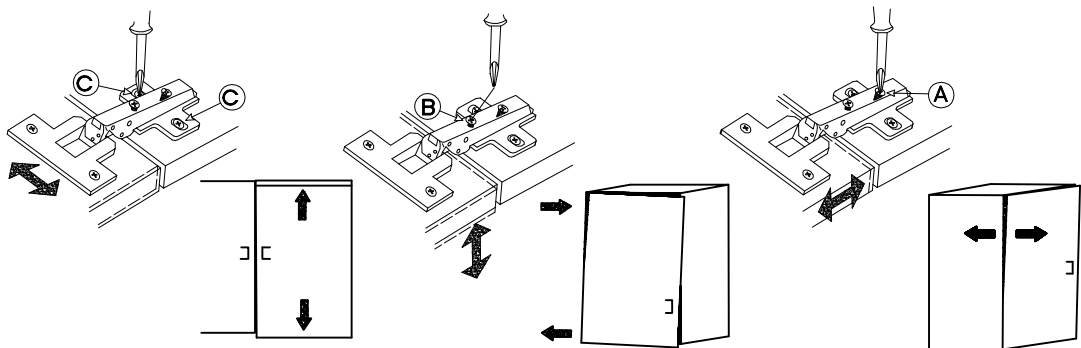
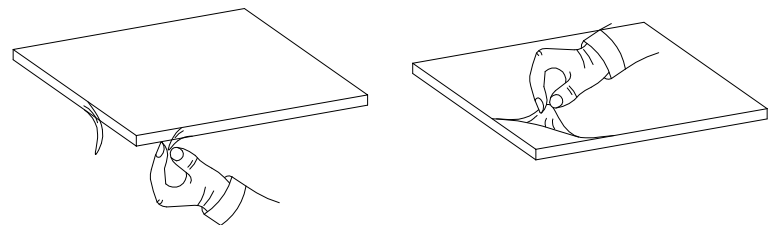


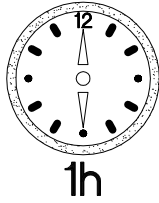
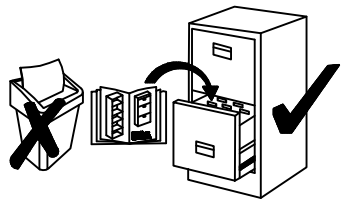
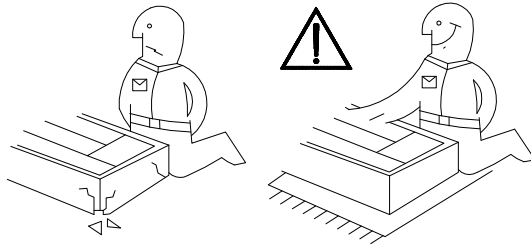
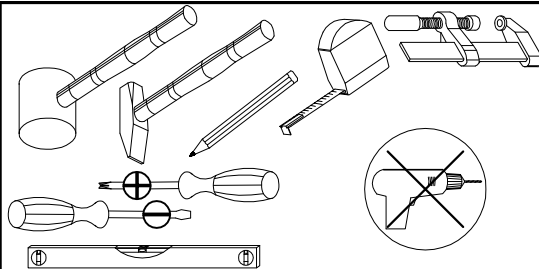
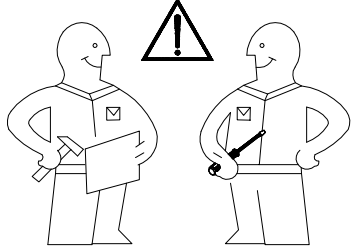
9

M4x22mm	L=128mm
	
U	S
4	2

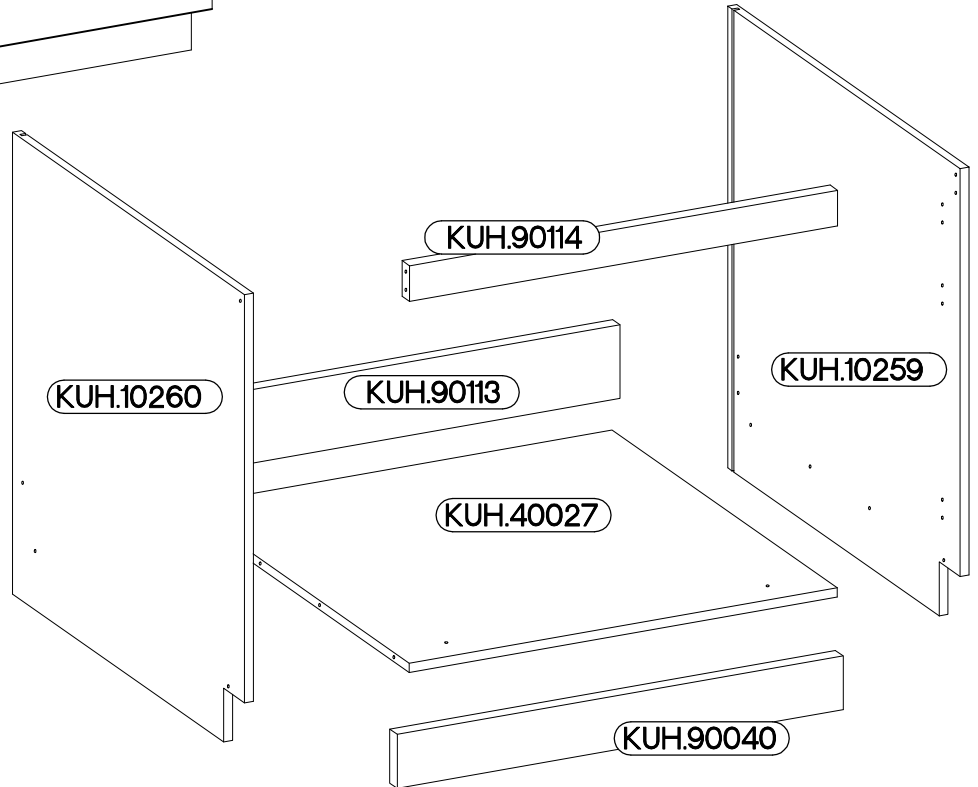
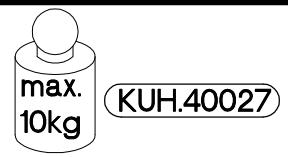
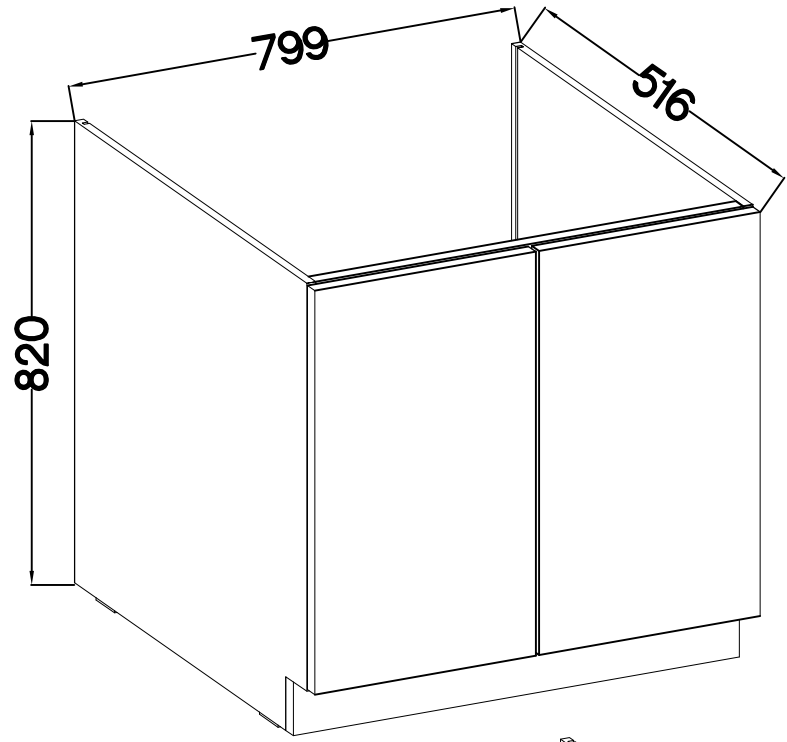
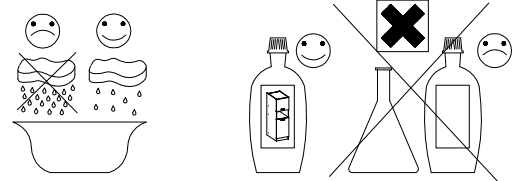


VARIANT HIGH GLOSS






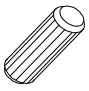
80 ZL 2F BB

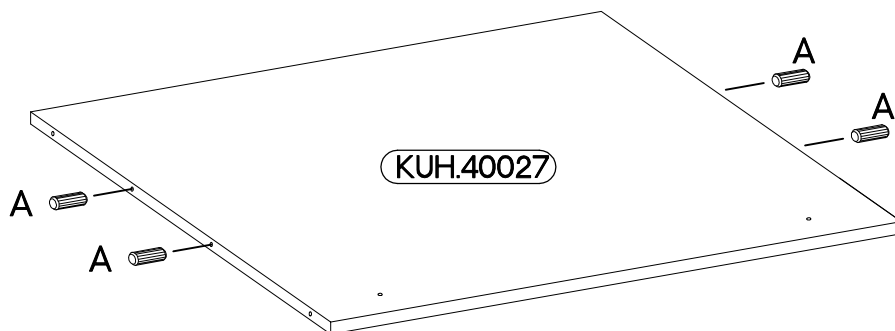
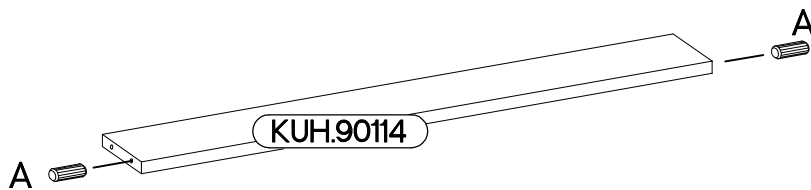
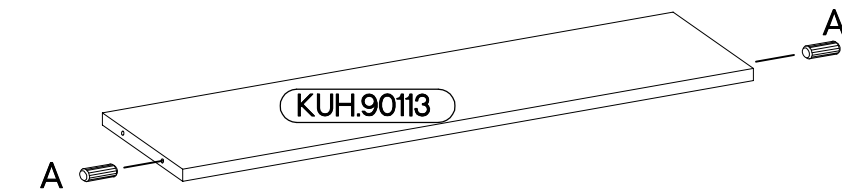
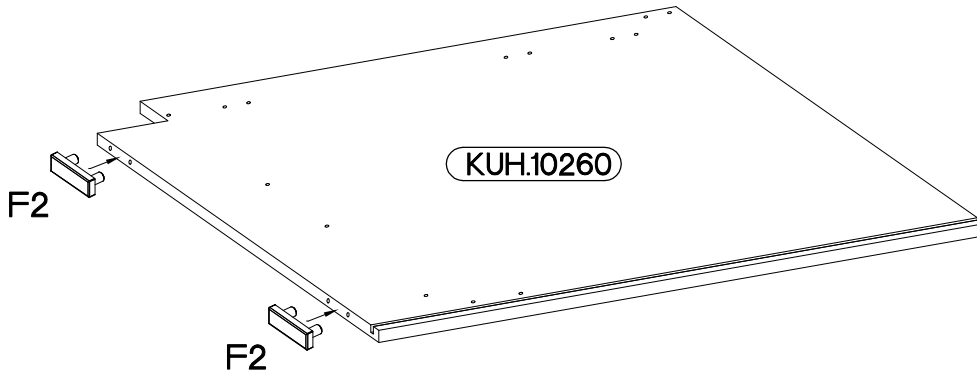
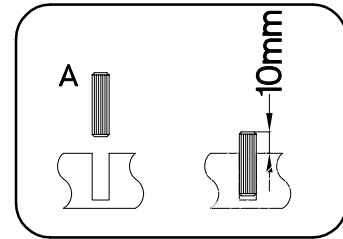
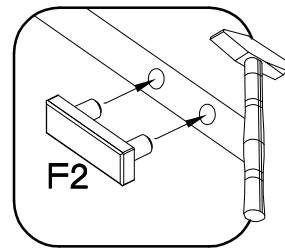
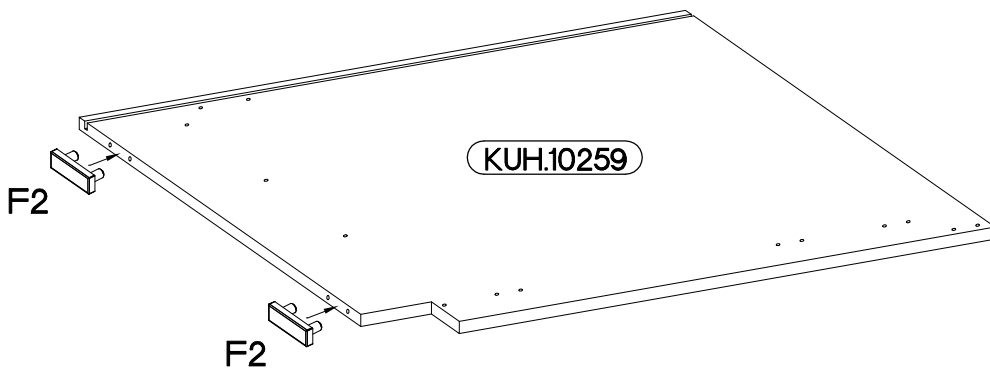
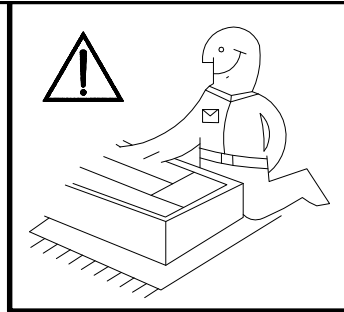


 +8x30mm A 8	 6,4 x 50mm B 8	 E1 8	 E9 2	 6.5x48x16 F2 4	 +35/0mm [CD] HG 4	 O 1	 +4.0x45mm P4 2	 +3.5x13mm P5 8
-------------------------------------	--	--------------------	--------------------	--	---	-------------------	--	--

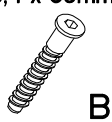

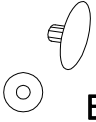
ISM-KUH-01629

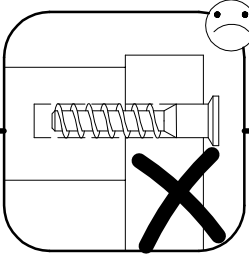
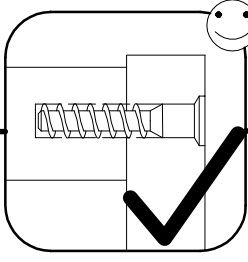
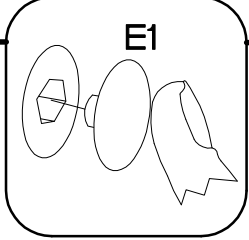
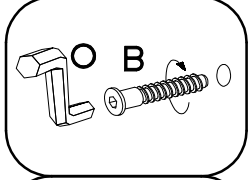
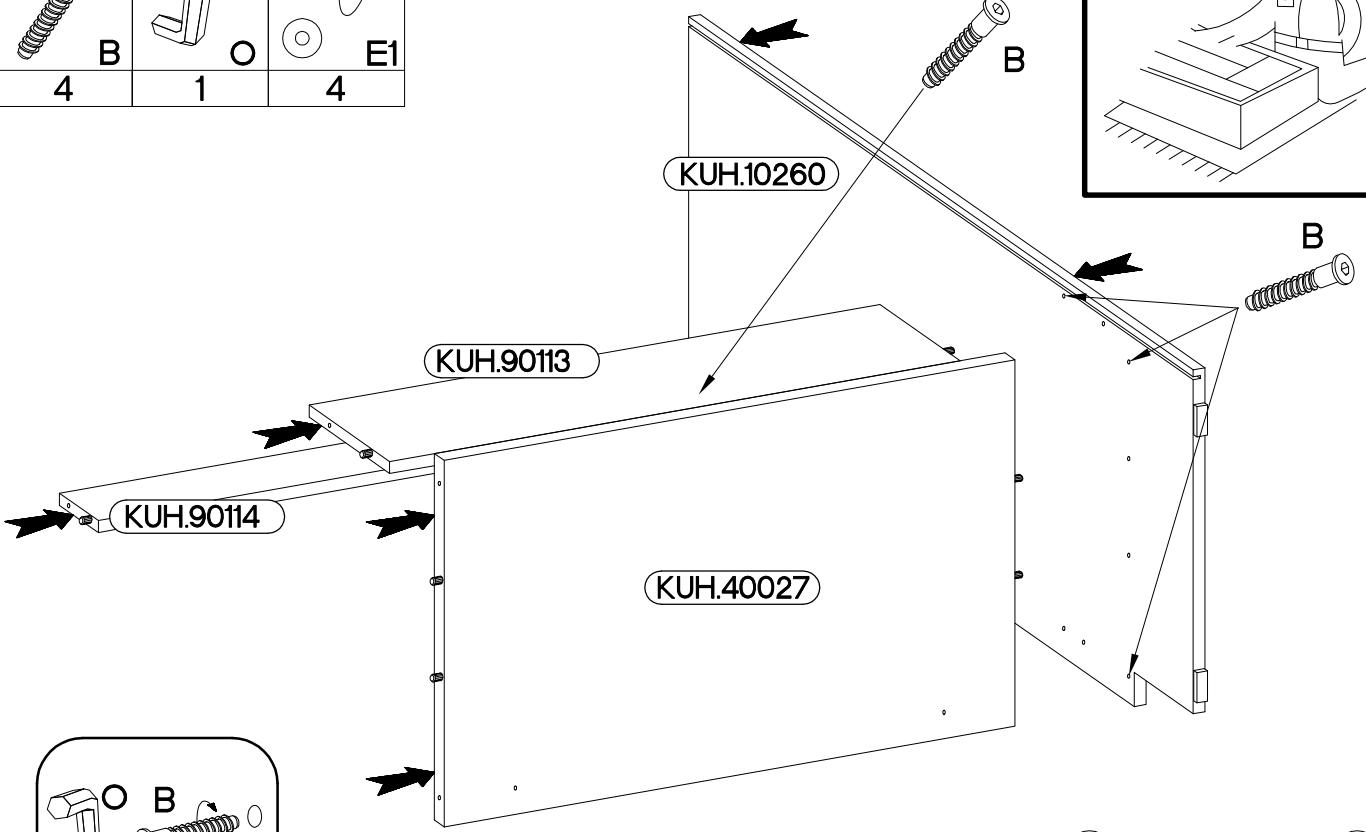
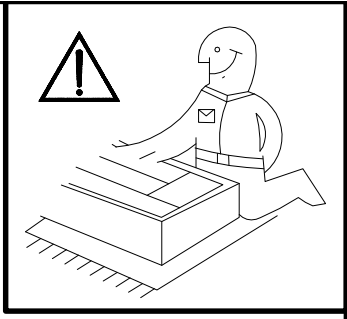
1

6.5x48x16  F2 4	+8x30mm  A 8
--	---

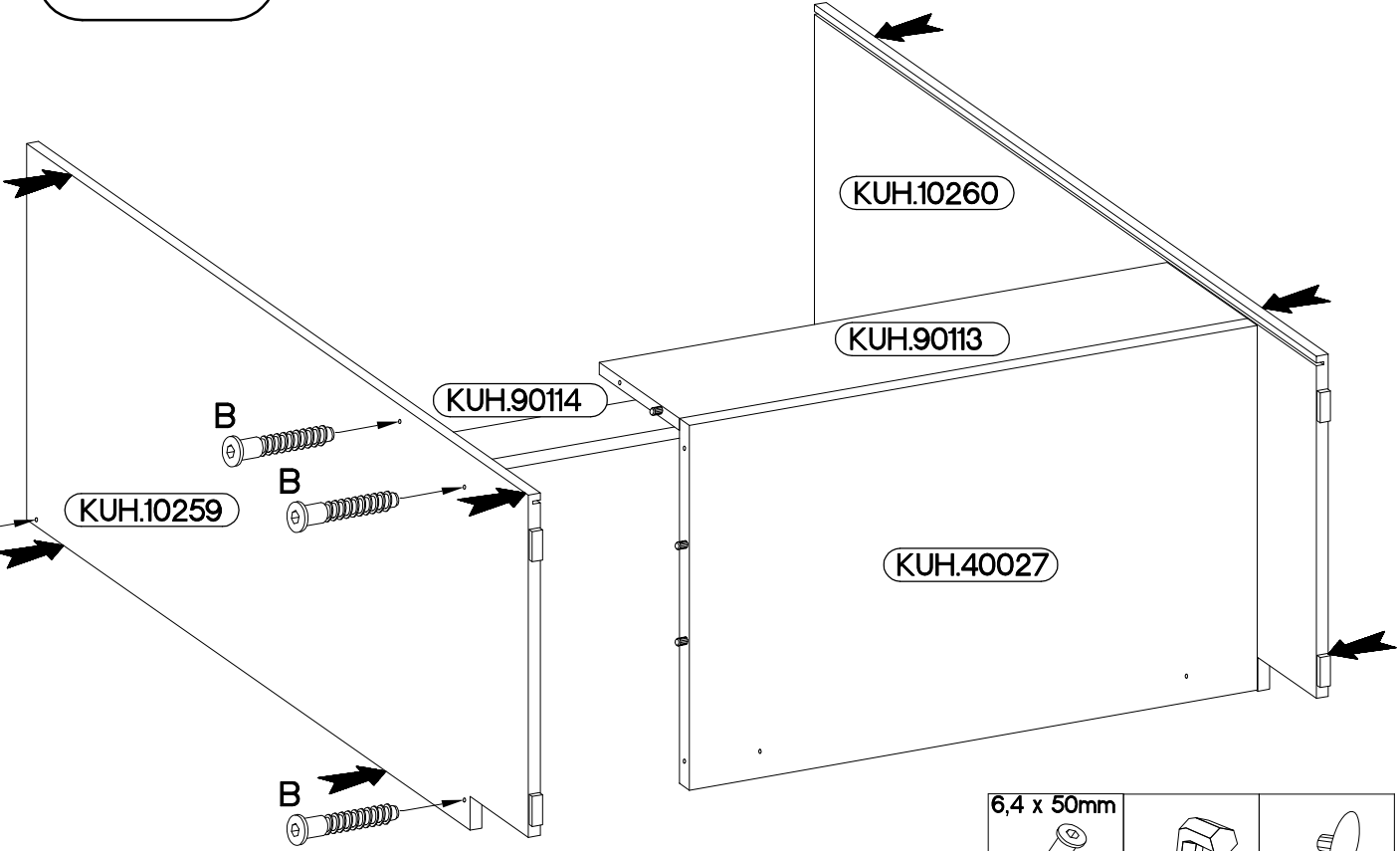


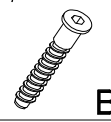
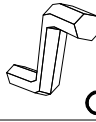
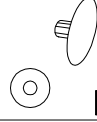
2

6,4 x 50mm		
		
B	O	E1
4	1	4





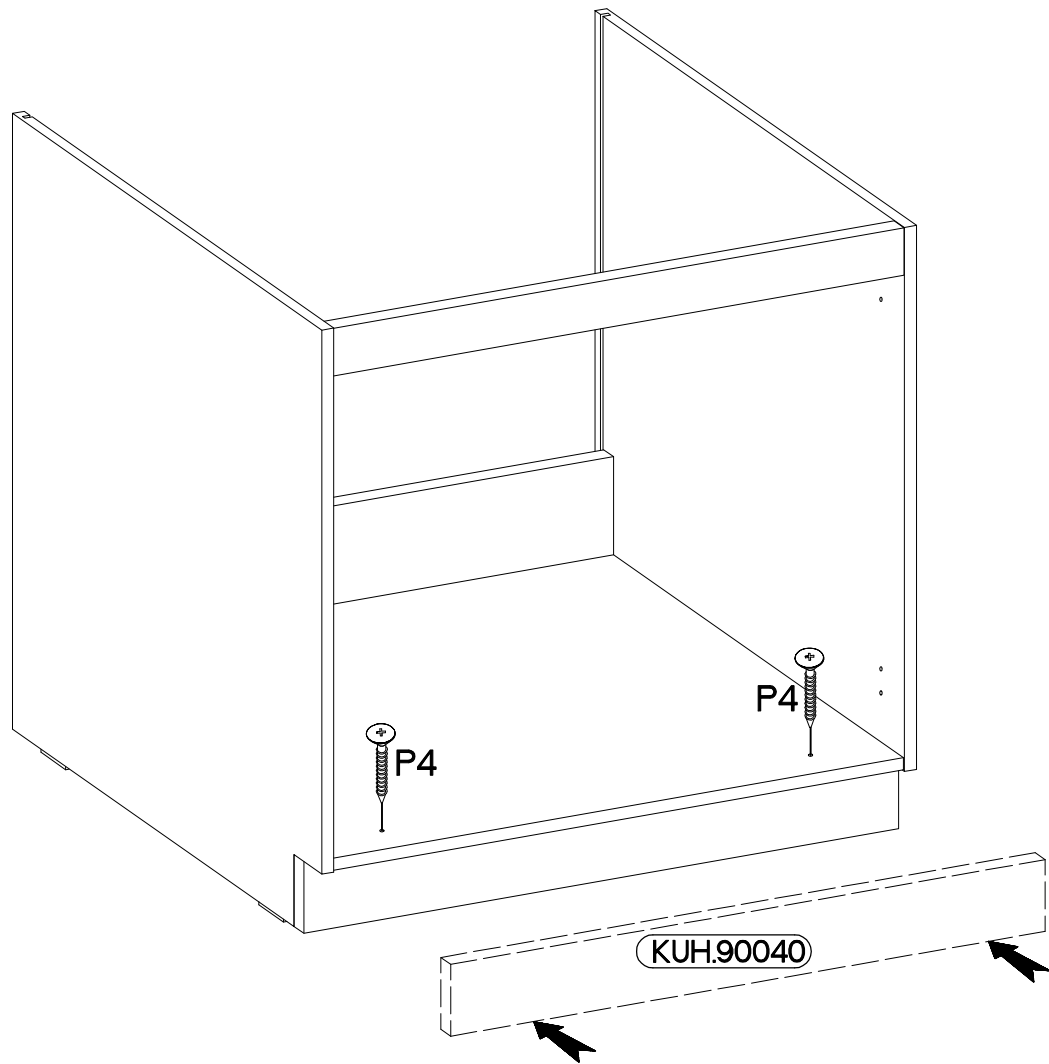
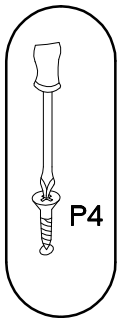
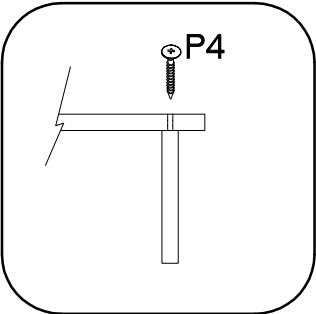
3



6,4 x 50mm		
		
B	O	E1
4	1	4

4

 +4.0x45mm P4	 E9
2	2



5

FRONT

