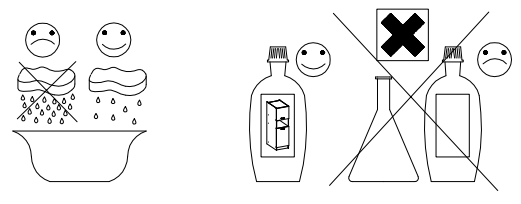
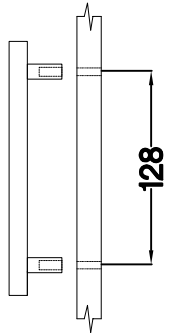
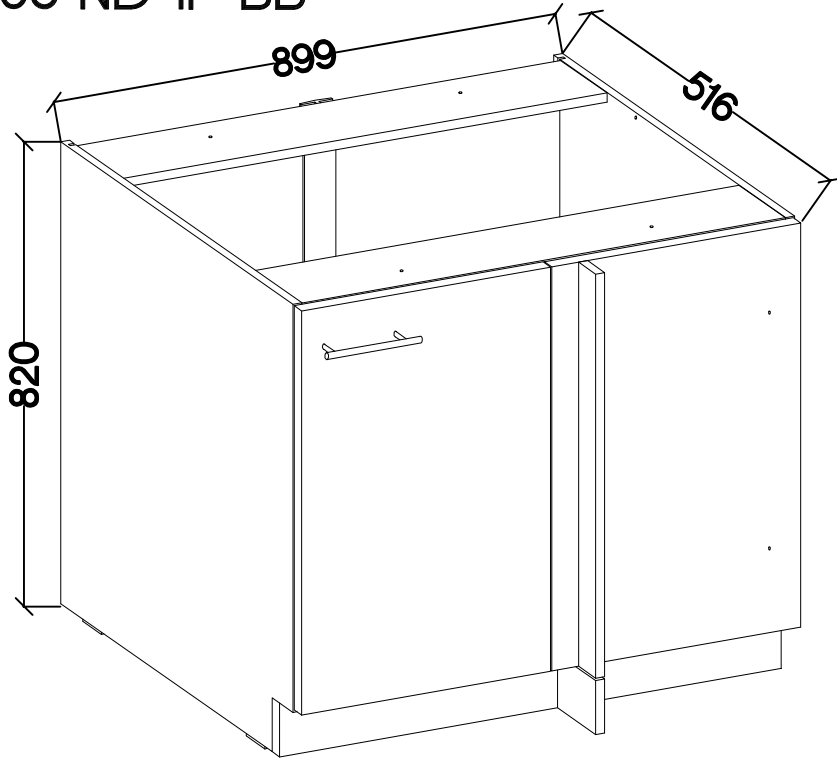


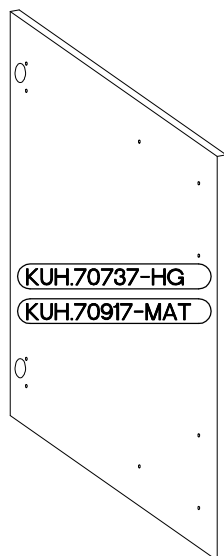
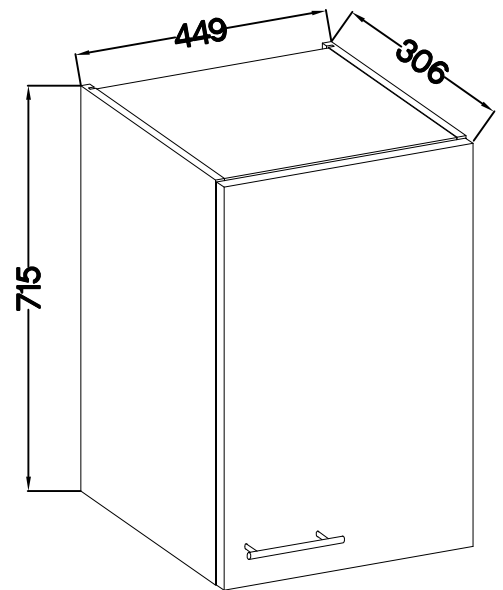
45 G-72 1F
105 ND 1F BB
FRONT





105 ND 1F BB



45 G-72 1F



M4x22mm	L=128mm
	
U	S
2	1

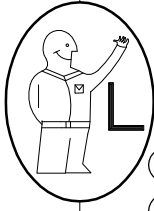
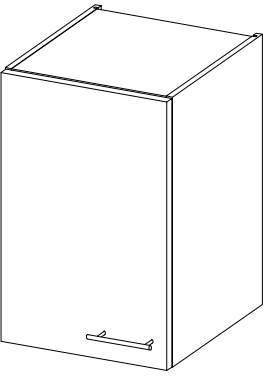
ISM-KUH-01640

1

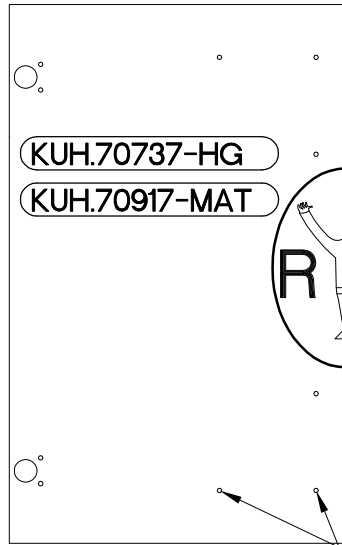
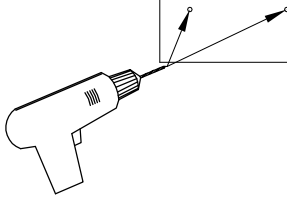
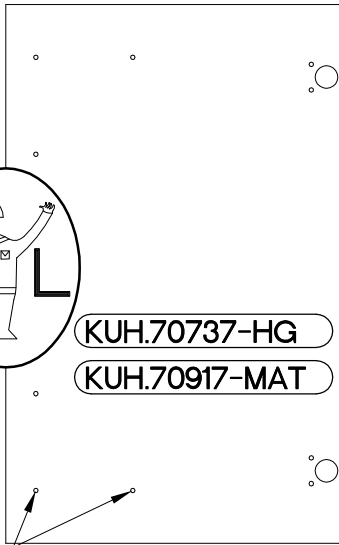
45 G-72 1F

LEFT

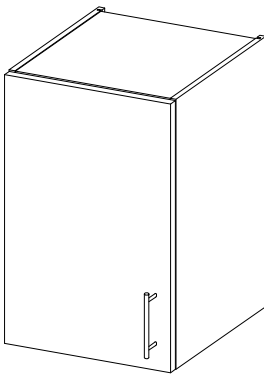
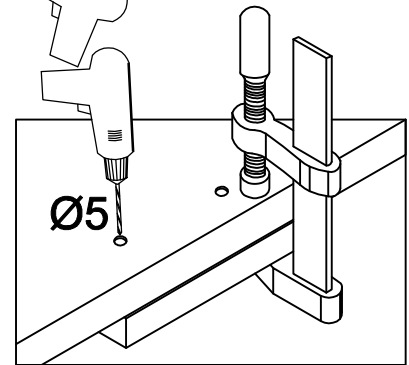
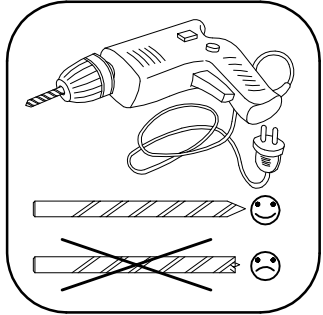
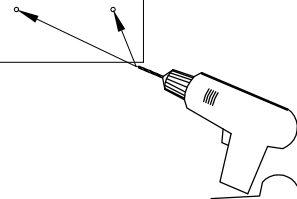
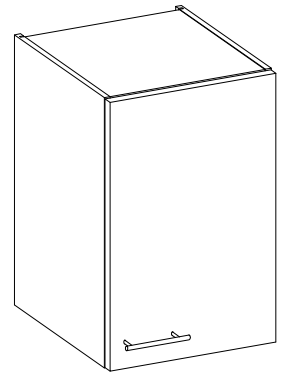
RIGHT



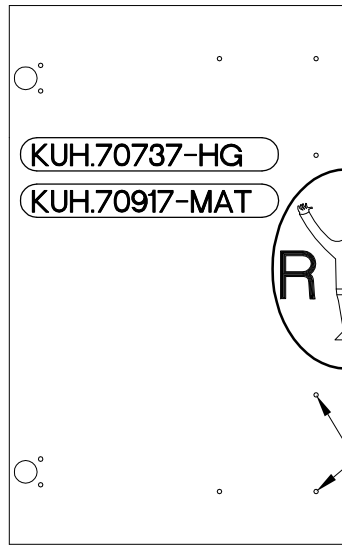
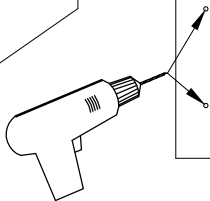
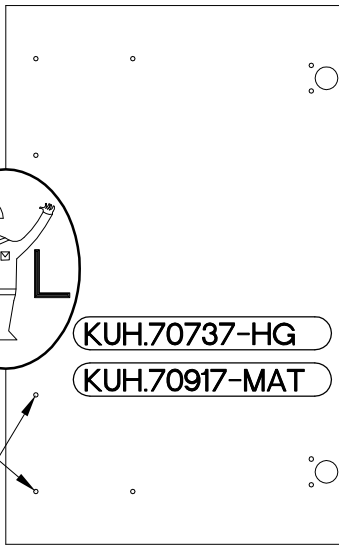
KUH.70737-HG
KUH.70917-MAT



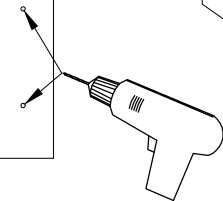
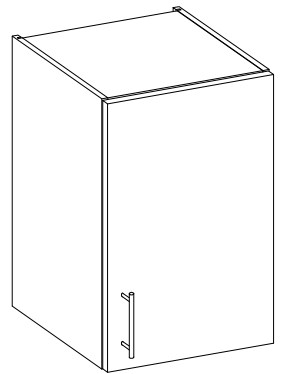
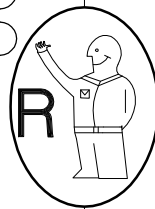
KUH.70737-HG
KUH.70917-MAT



KUH.70737-HG
KUH.70917-MAT

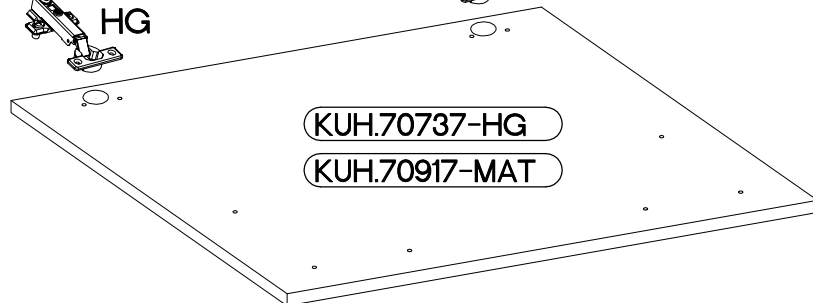
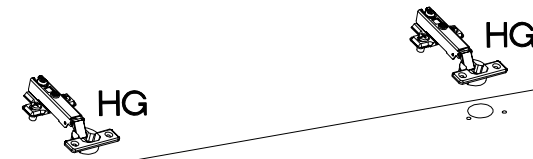


KUH.70737-HG
KUH.70917-MAT

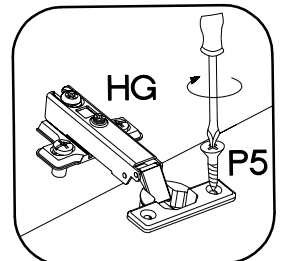



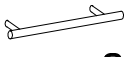
2

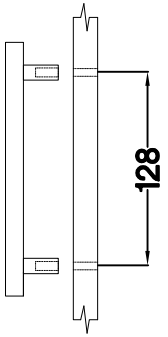
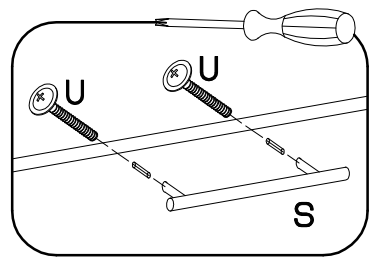
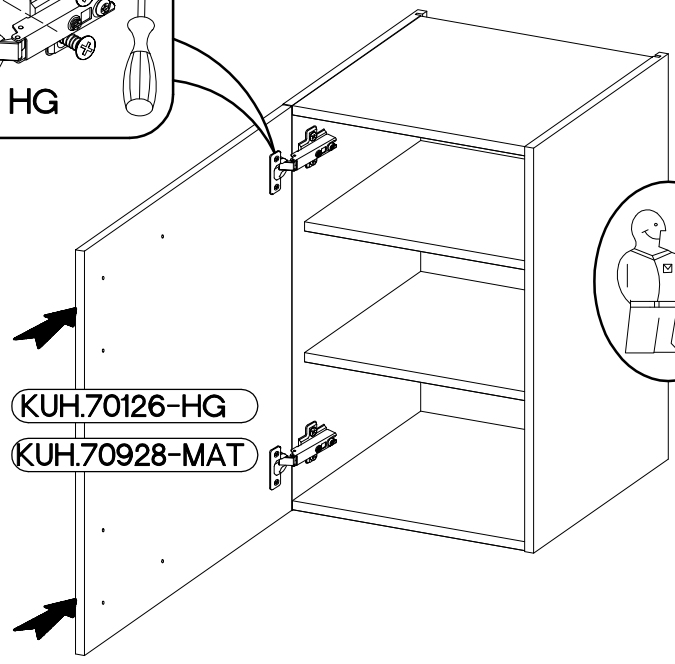
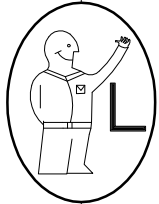
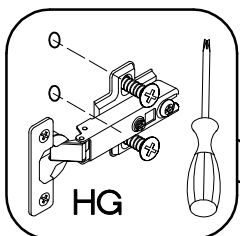
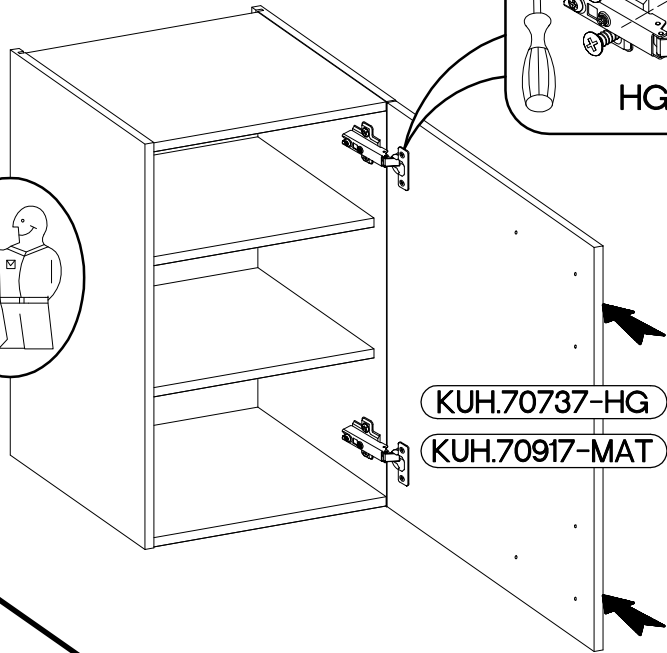
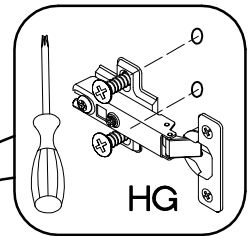
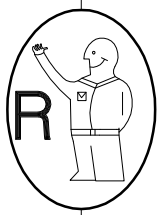
+35/0mm	+3.5x13mm
[CD] HG	P5
2	4



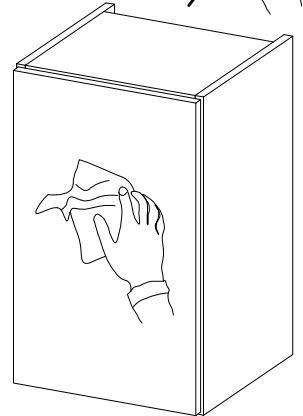
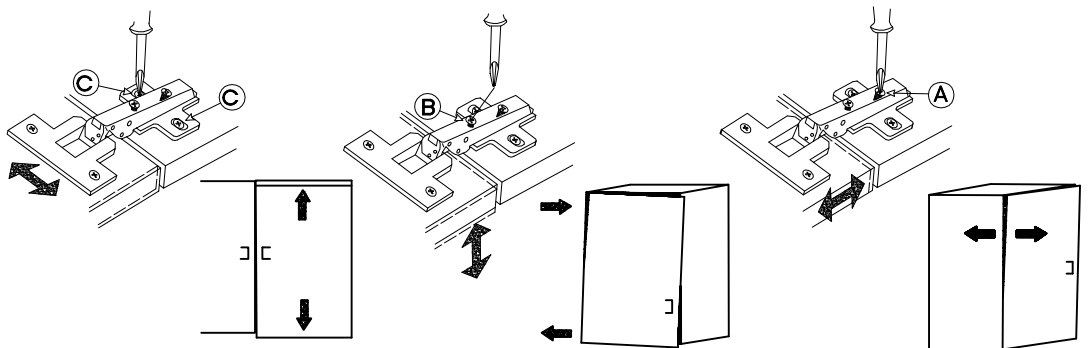
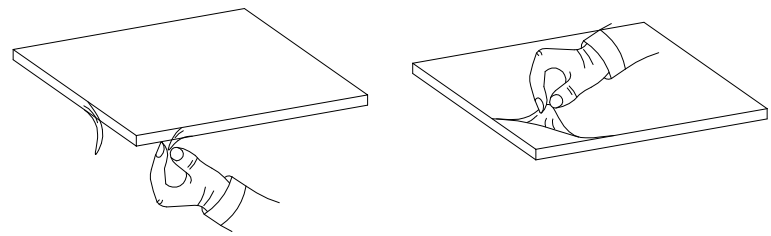
KUH.70737-HG
KUH.70917-MAT



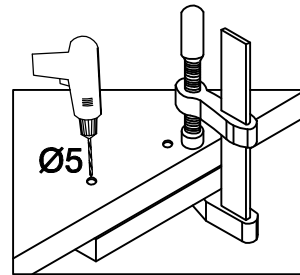
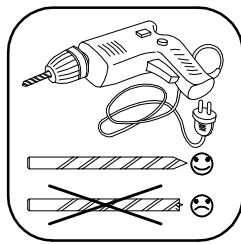
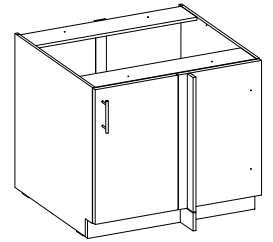
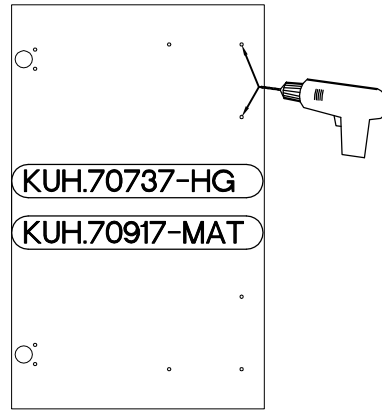
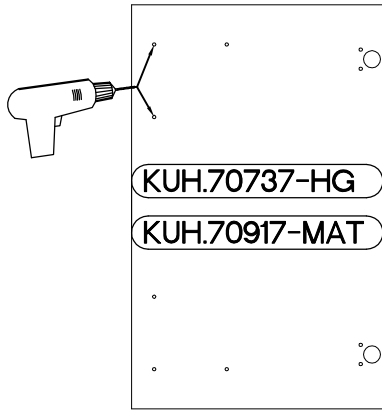
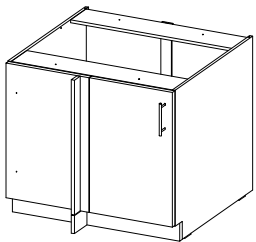
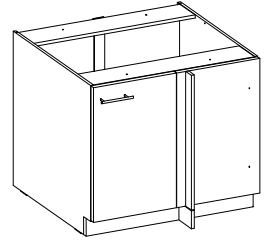
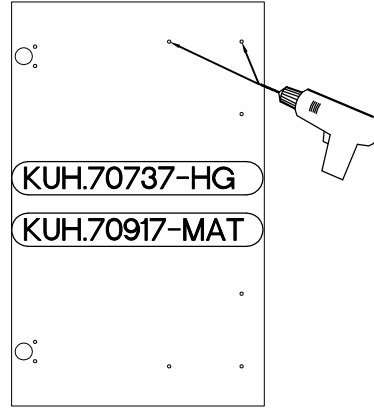
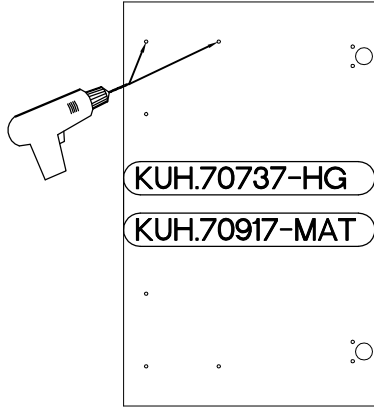
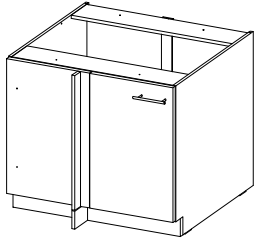
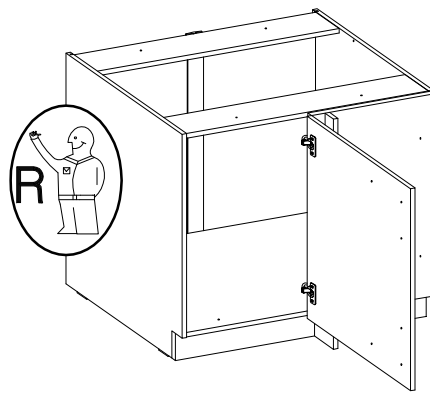
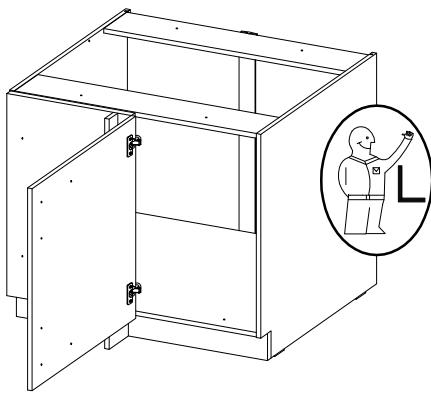
M4x22mm  U 2	L=128mm  S 1
---	---





VARIANT HIGH GLOSS

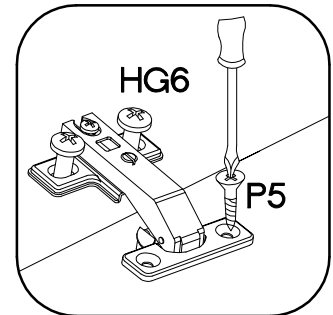
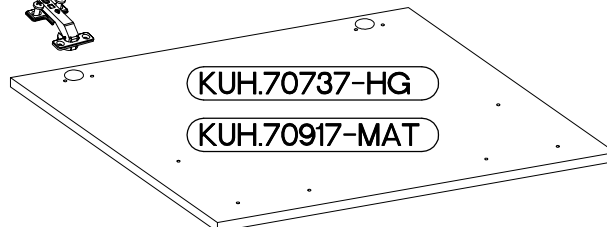


4


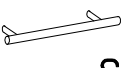


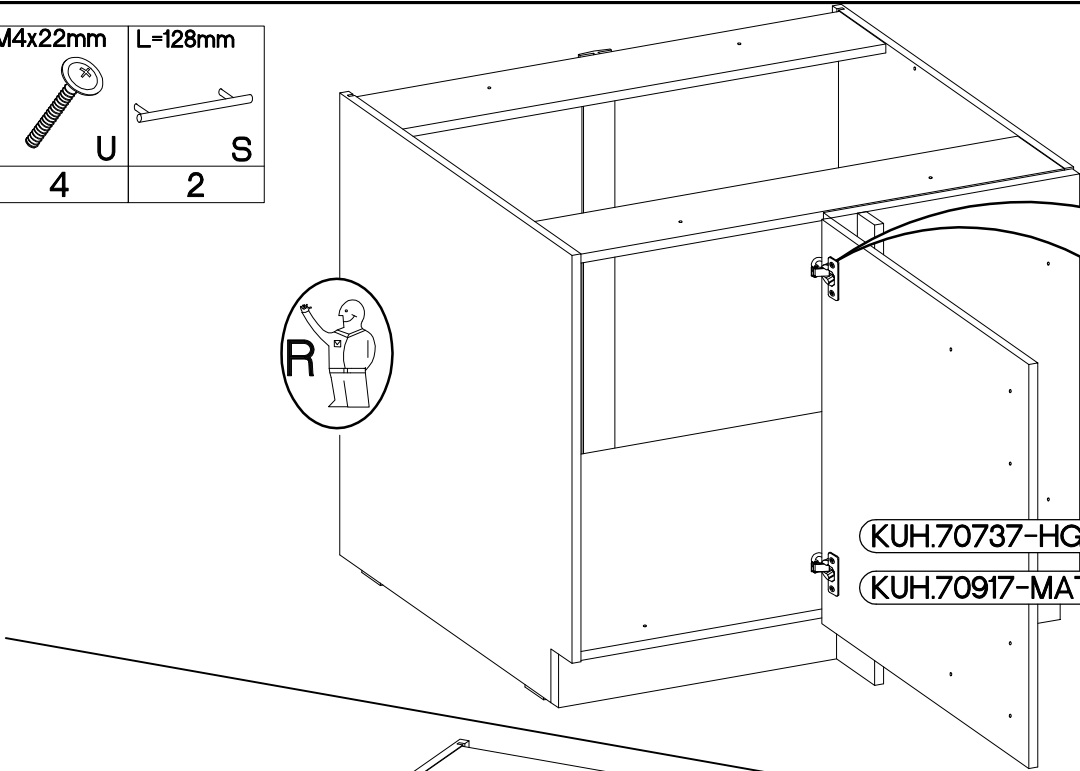
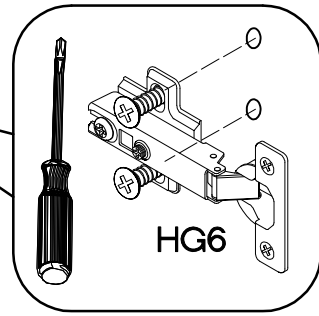
5

	
†35/90° †3.5x13mm	
HG6	P5
2	4



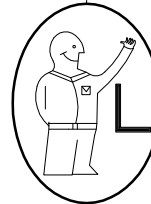
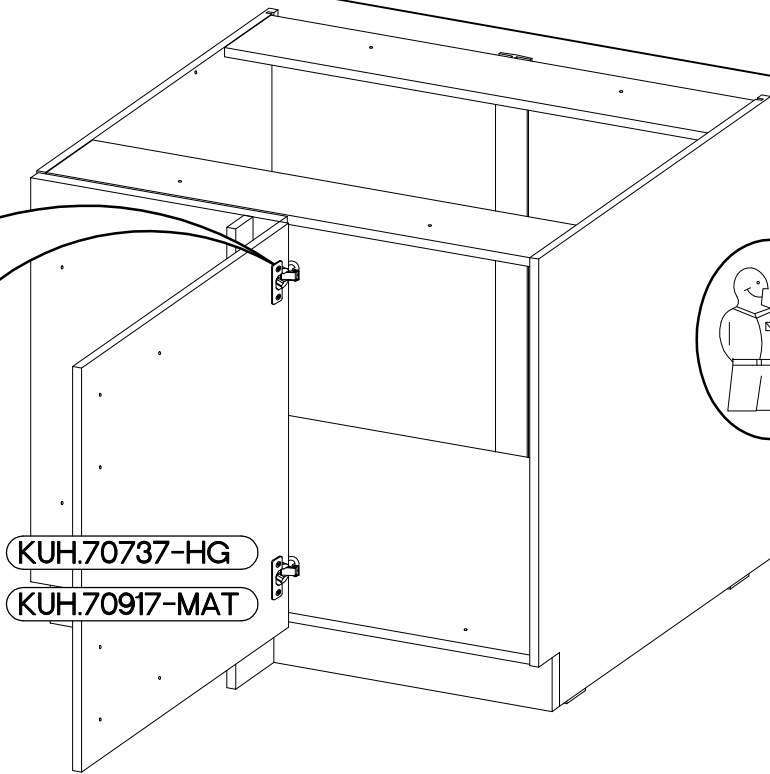
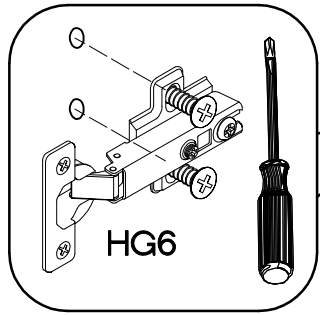
6

M4x22mm	L=128mm
	
U	S
4	2



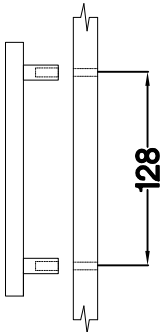
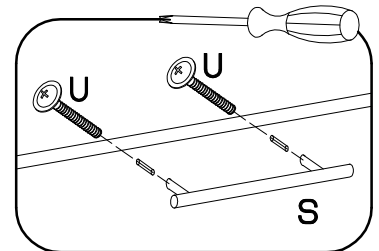
KUH.70737-HG

KUH.70917-MAT

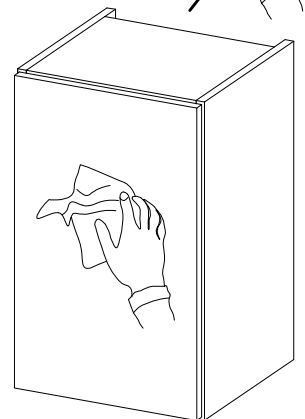
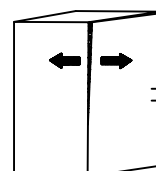
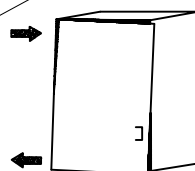
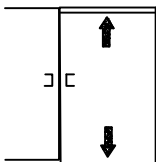
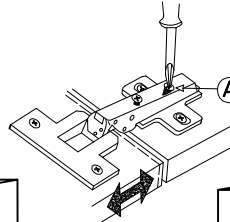
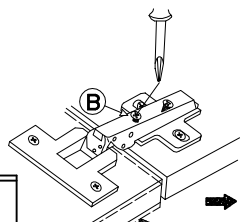
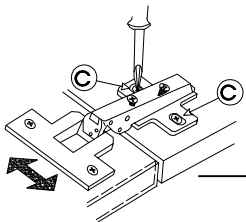
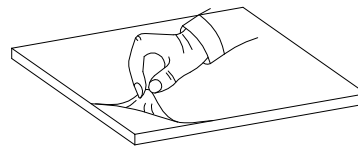
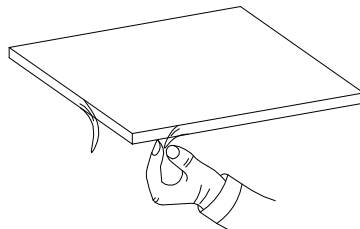


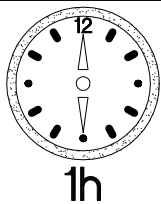
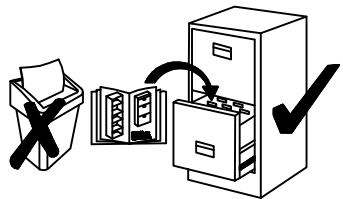
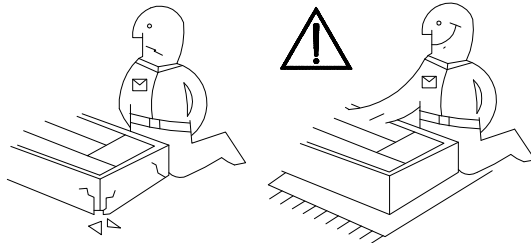
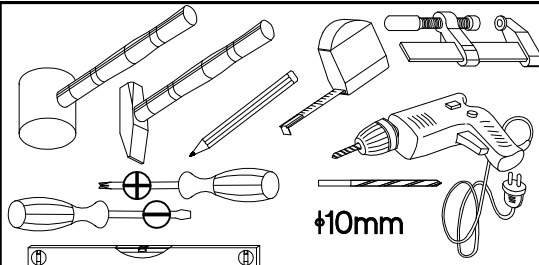
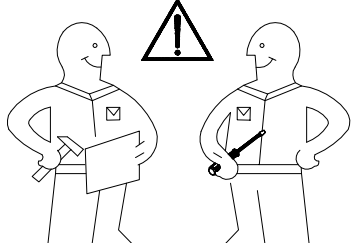
KUH.70737-HG

KUH.70917-MAT

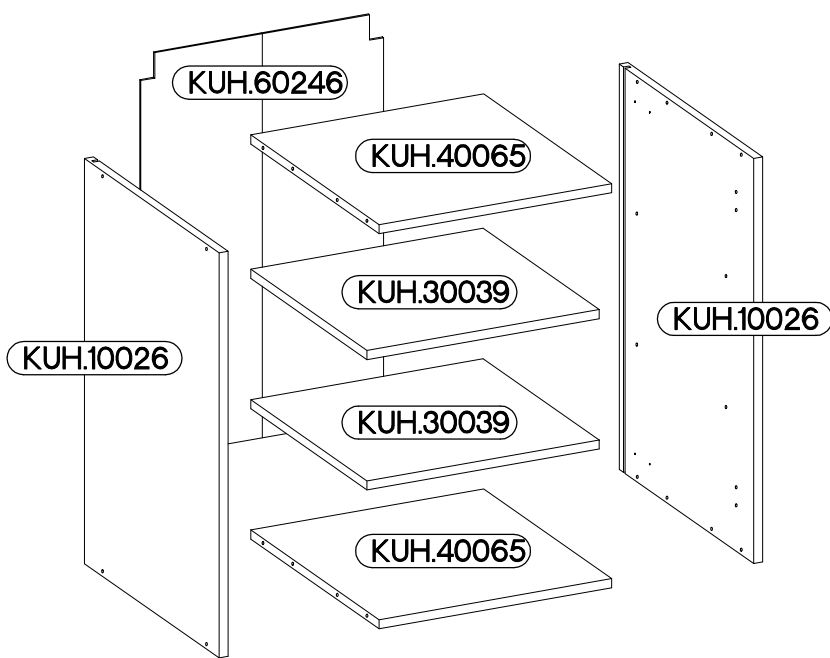
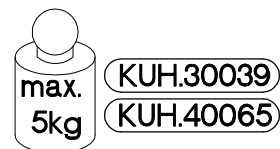
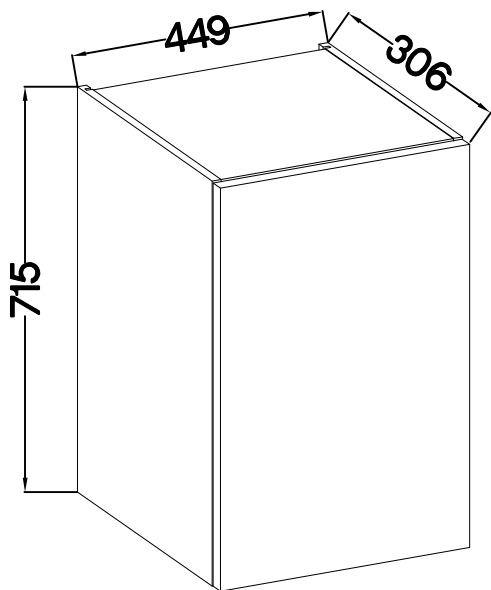
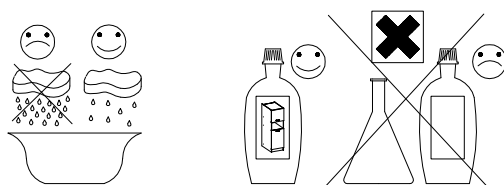


VARIANT HIGH GLOSS





45 G-72 1F

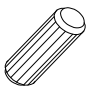
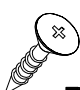
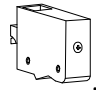


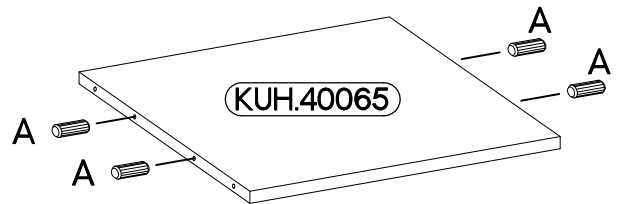
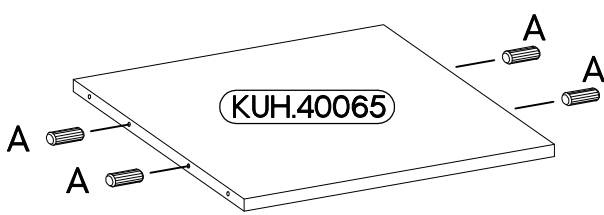
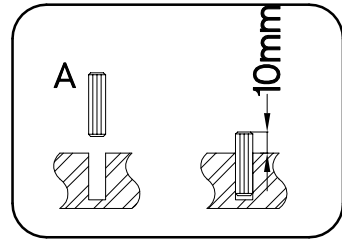
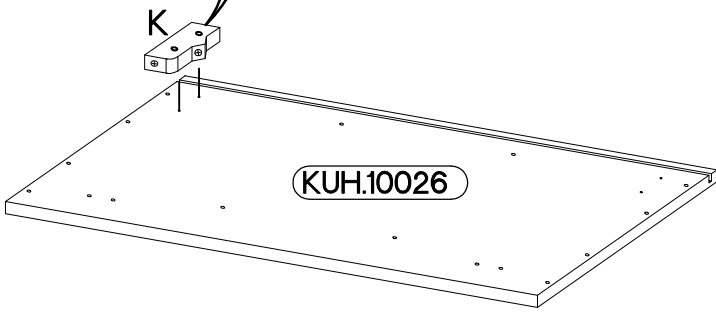
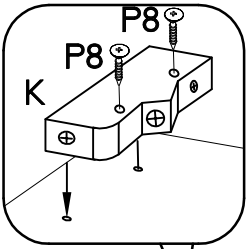
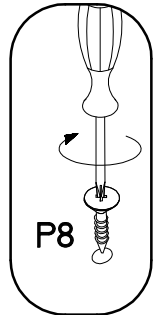
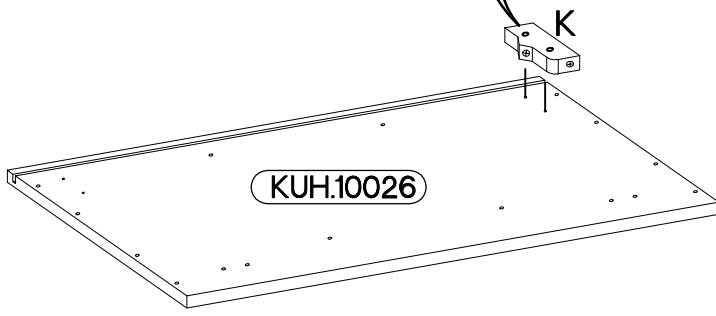
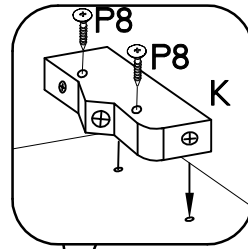
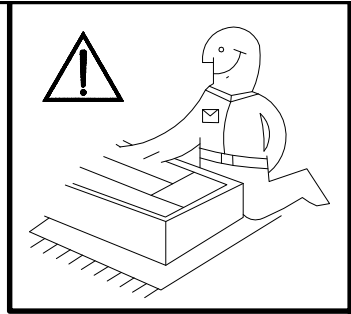
$\pm 8 \times 30 \text{mm}$ A 8	$6,4 \times 50 \text{mm}$ B 8	 E1 8	$\pm 35 / 0 \text{mm}$ [CD] HG 2
$\pm 5 / 19 \text{mm}$ J 8	 K 2	 O 1	$\pm 3,5 \times 13 \text{mm}$ P5 4
			$\pm 3,0 \times 20 \text{mm}$ P7 8-10
			$\pm 4,0 \times 30 \text{mm}$ P8 4



ISM-KUH-01616

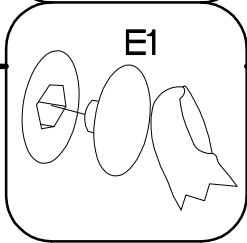
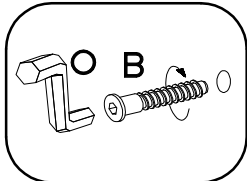
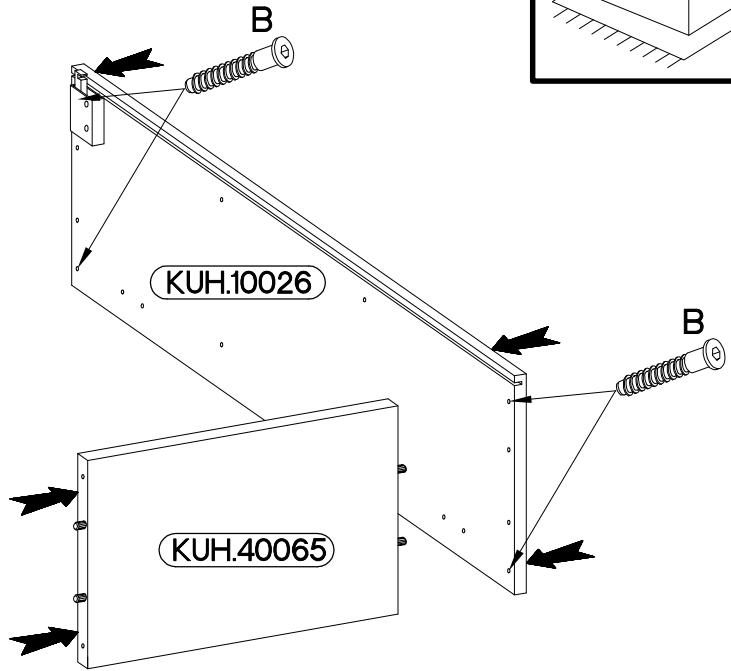
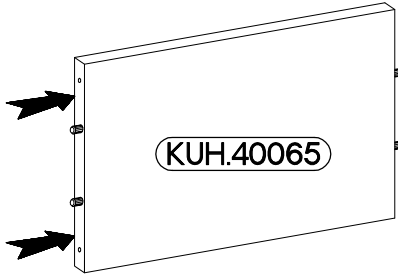
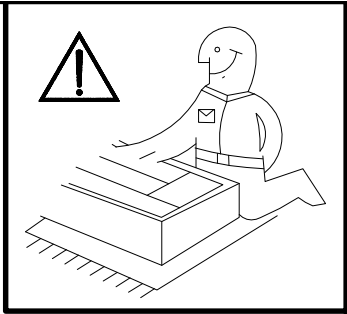
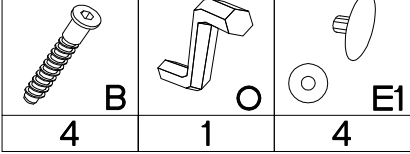
1

$\pm 8 \times 30 \text{mm}$  A 8	$\pm 4.0 \times 30 \text{mm}$  P8 4	 K 2
---	--	--

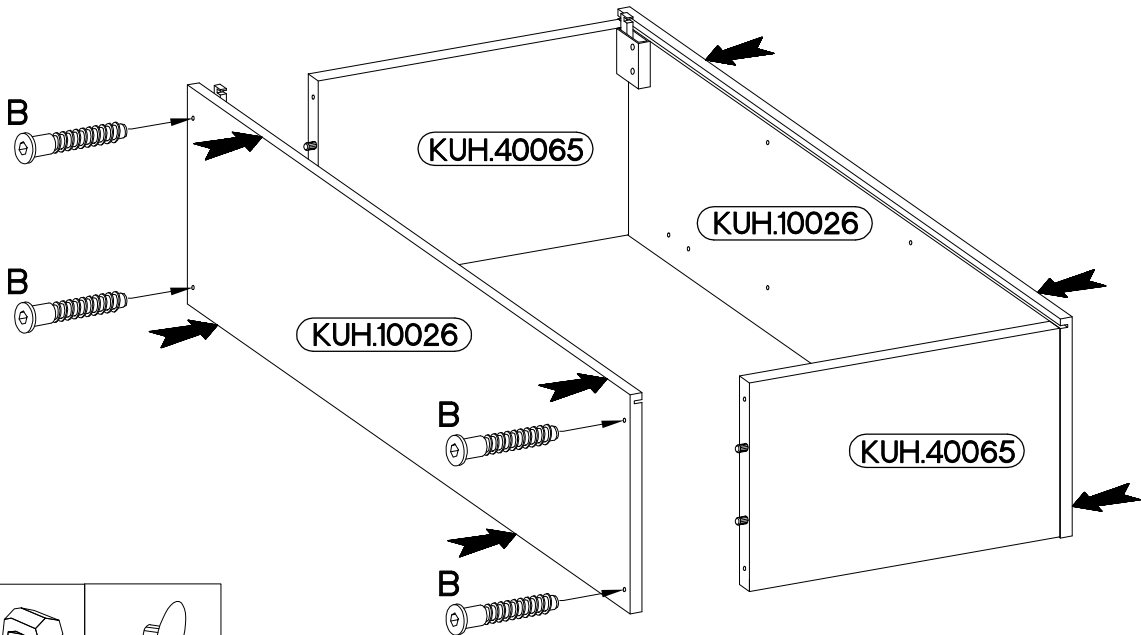


2

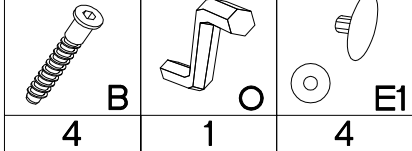
6,4 x 50mm



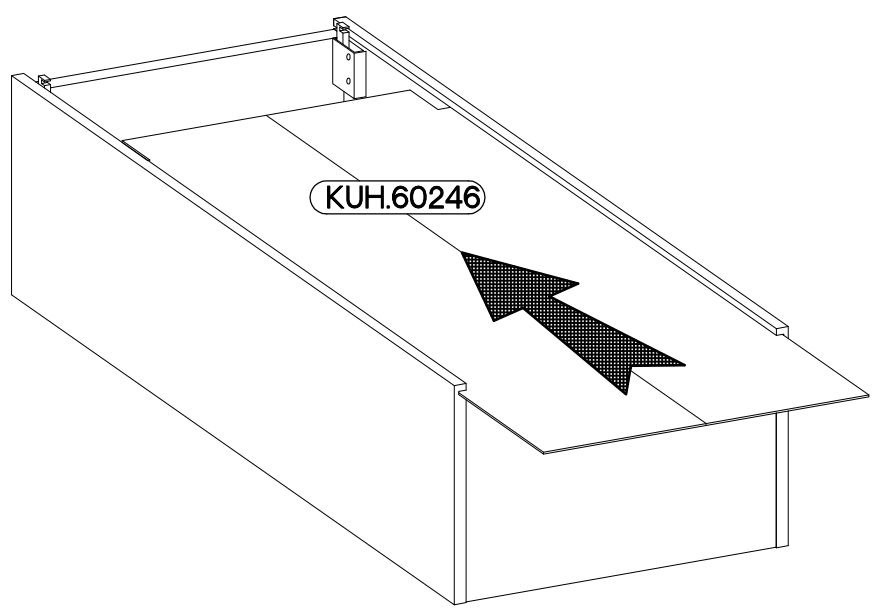
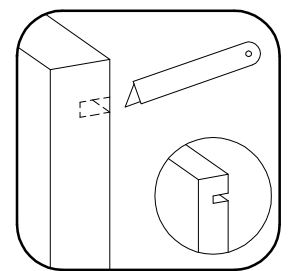
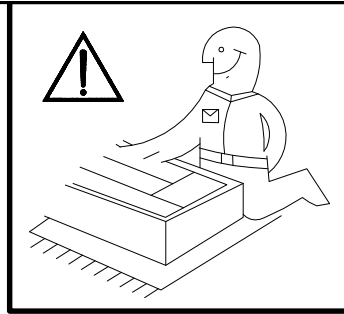
3



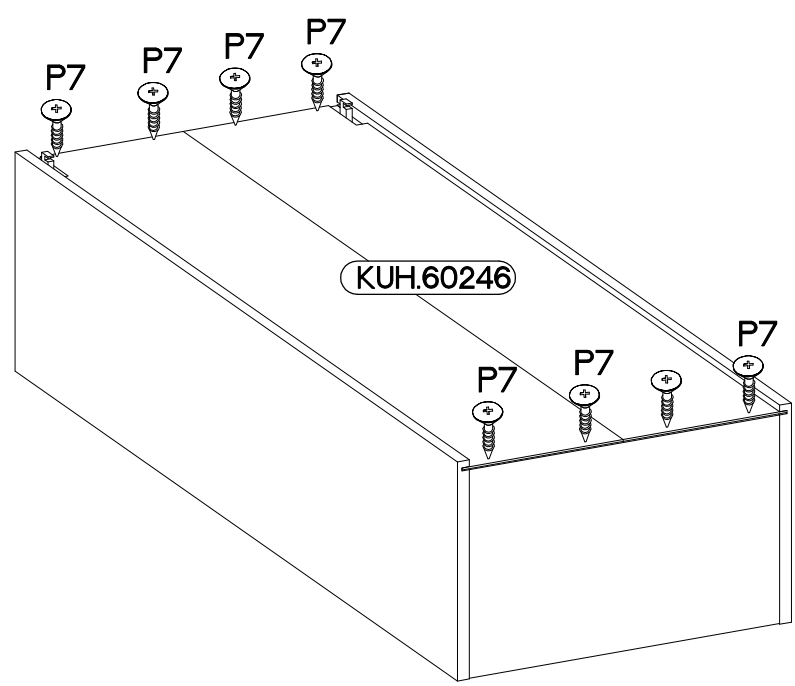
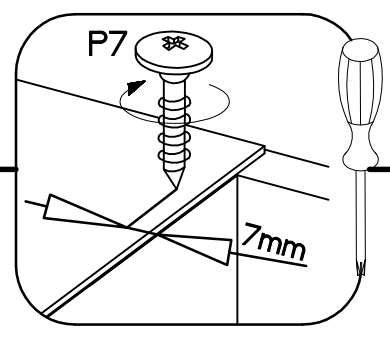
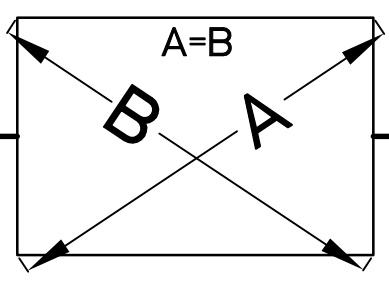
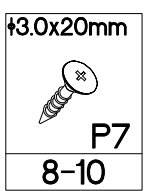
6,4 x 50mm

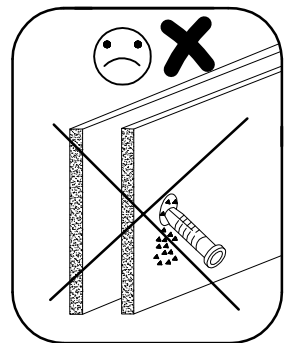
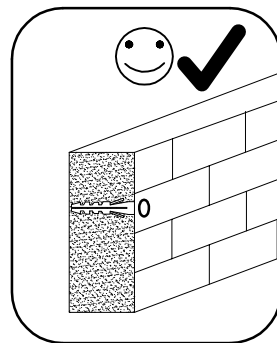
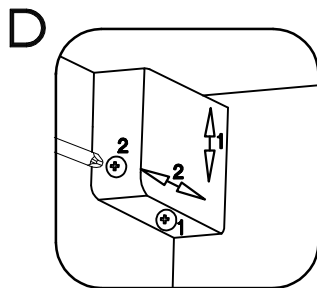
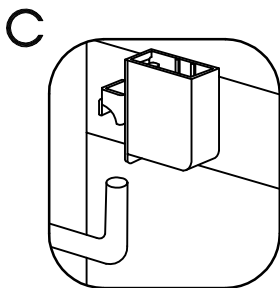
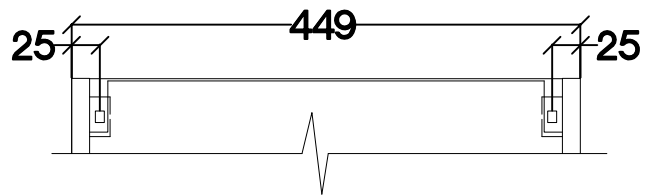
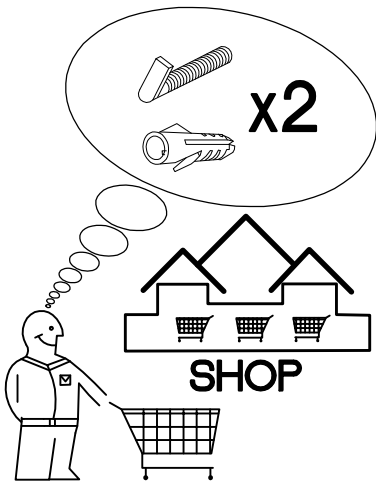
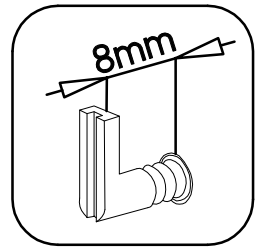
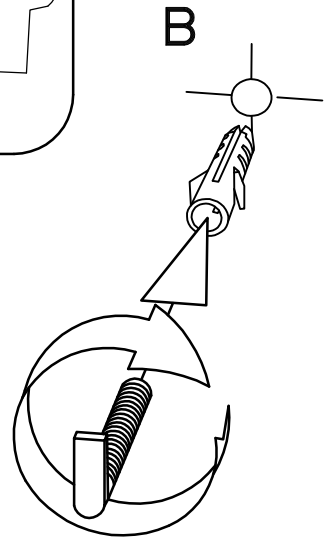
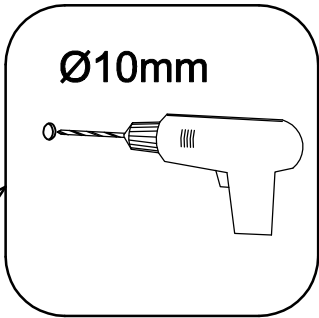
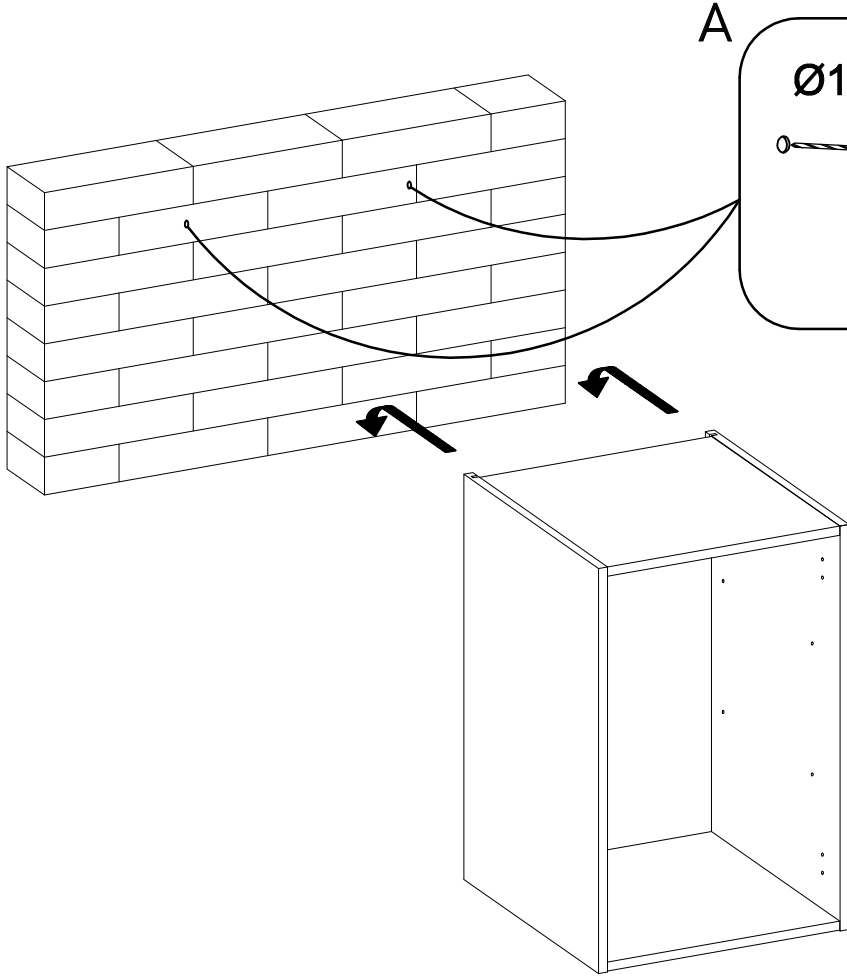
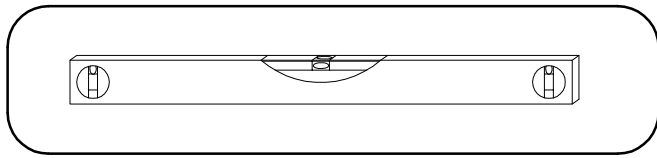


4

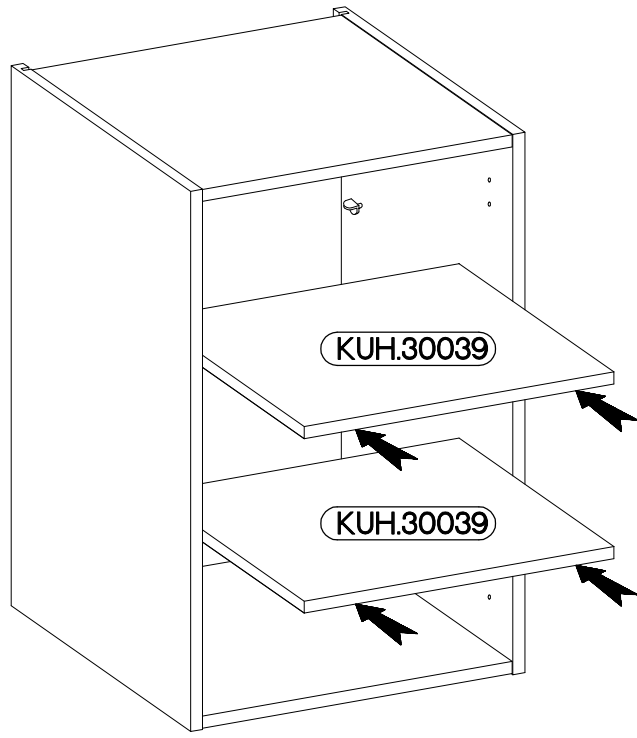
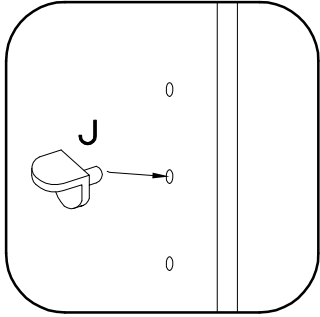
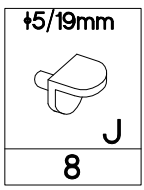


5





7



8

FRONT

