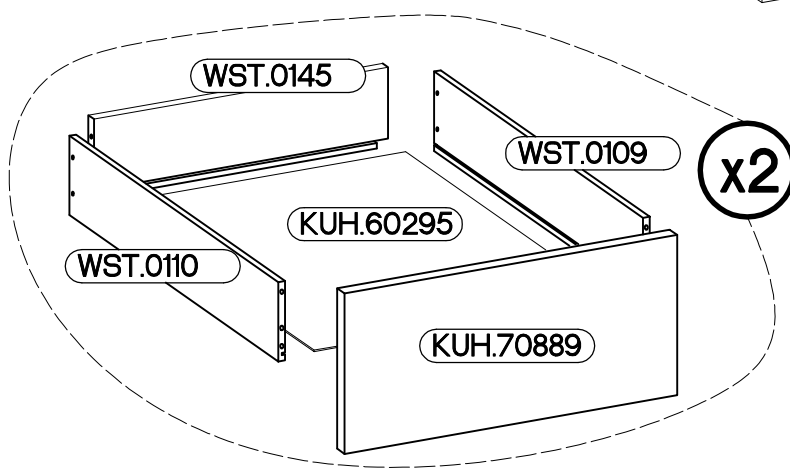
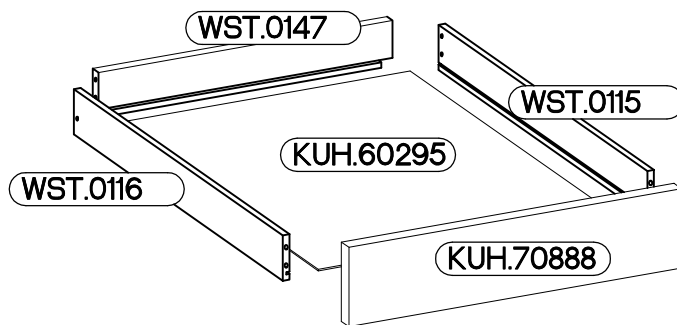
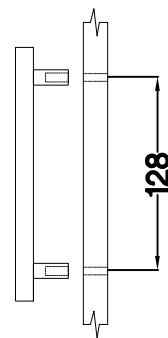
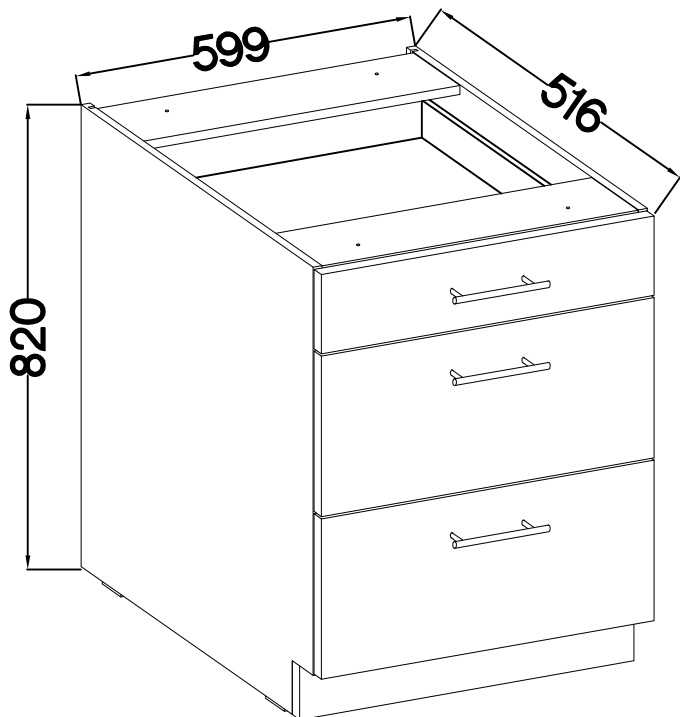
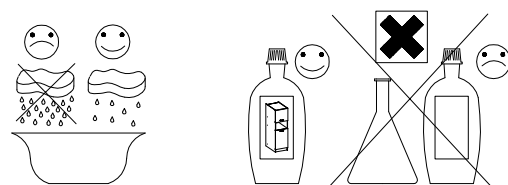


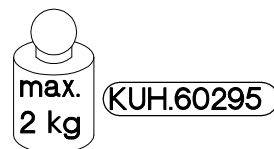


60 D 3S BB -
QUADRO
FRONT


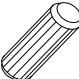



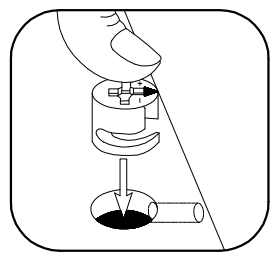
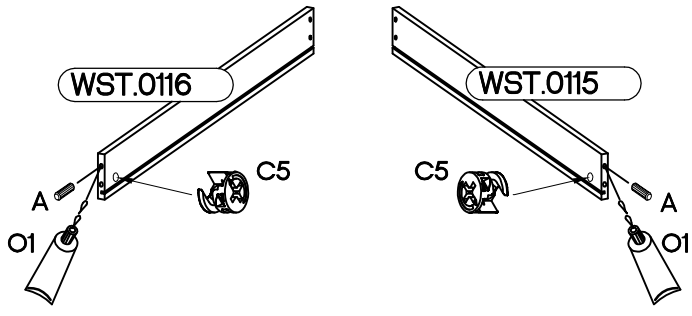
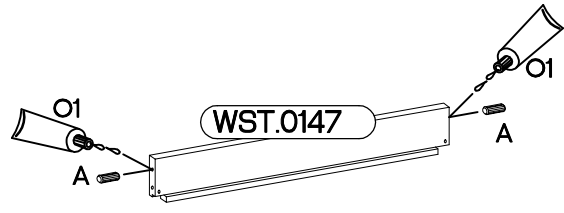
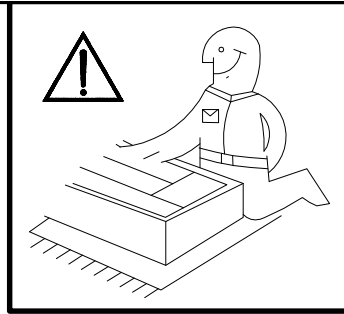
M4x22mm	L=128mm
	
U	S
6	3





ISM-KUH-01647

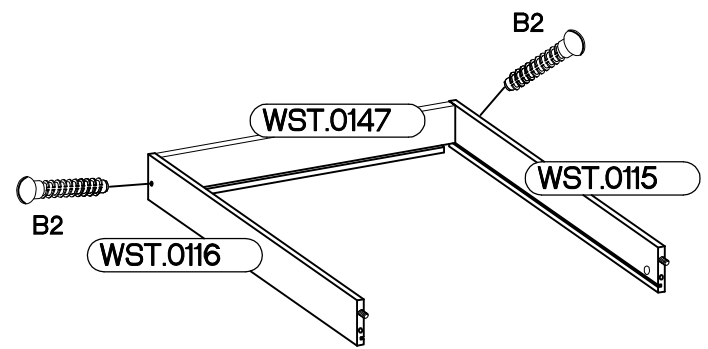
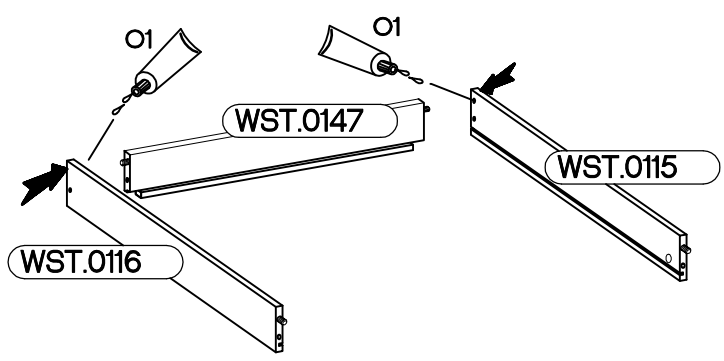
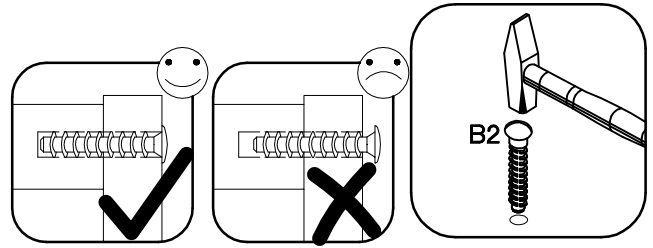
1

$\pm 12/10\text{mm}$  C5 2	$\pm 8 \times 30\text{mm}$  A 4	 O1 1
--	---	--

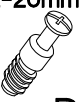


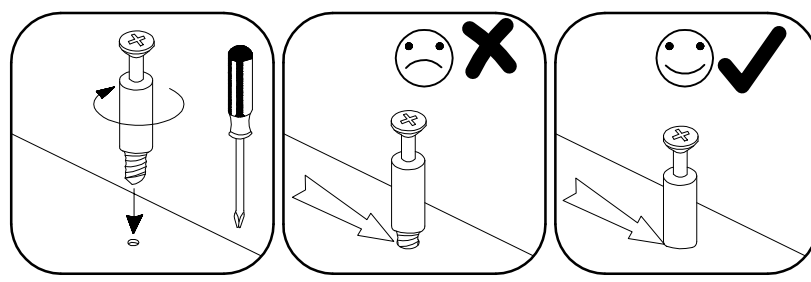
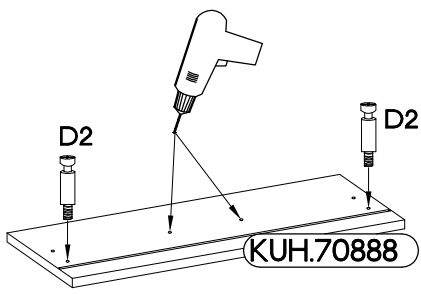
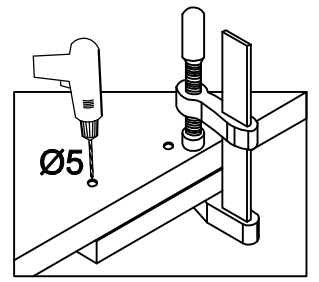
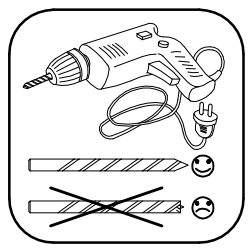
2

$\pm 6 \times 42\text{mm}$  B2 2	 O1 1
---	---

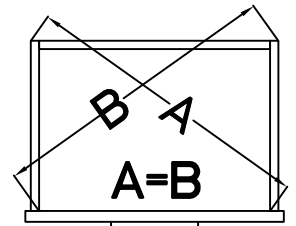
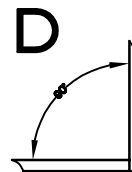
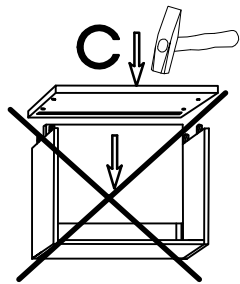
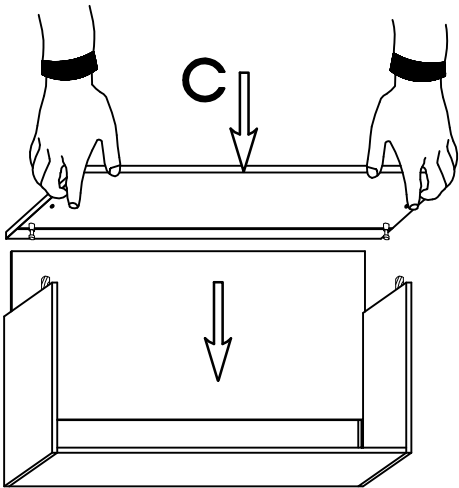
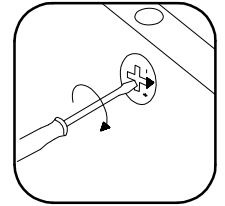
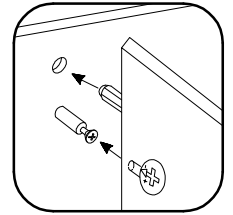
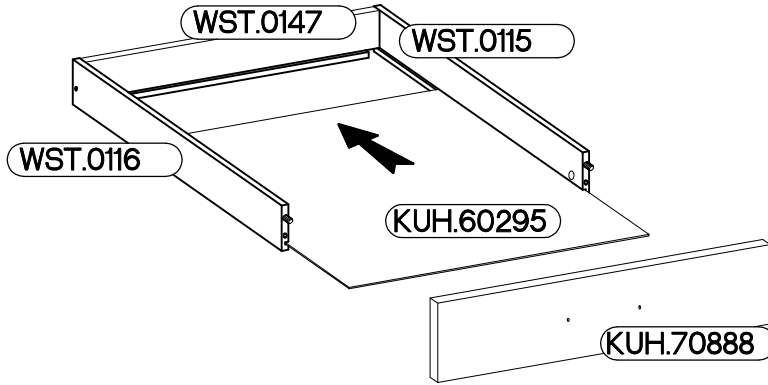
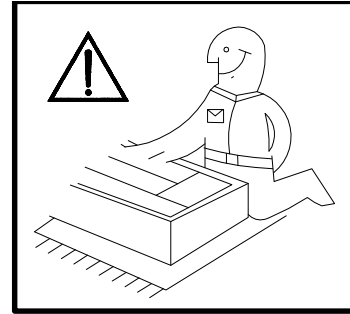
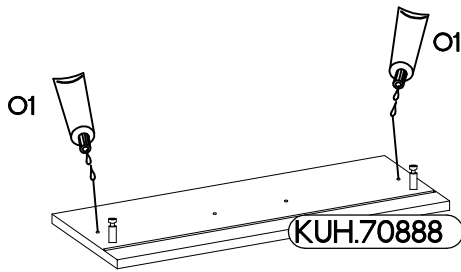
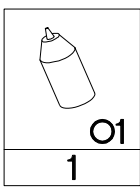


3

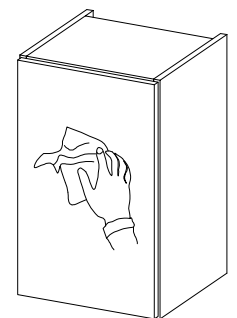
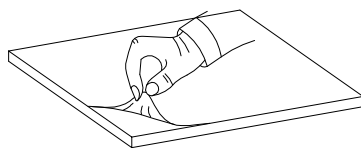
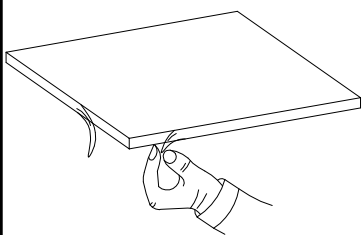
$L=20\text{mm}$  D2 2
--



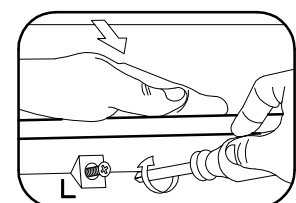
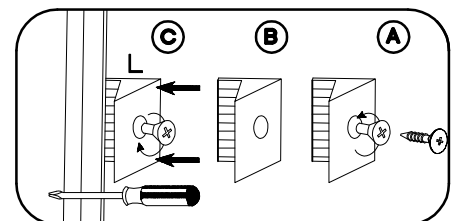
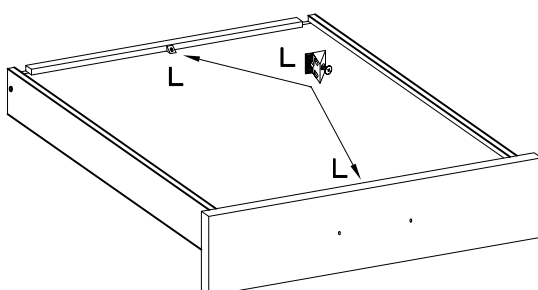
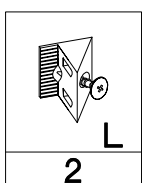
4




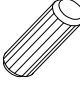

VARIANT HIGH GLOSS



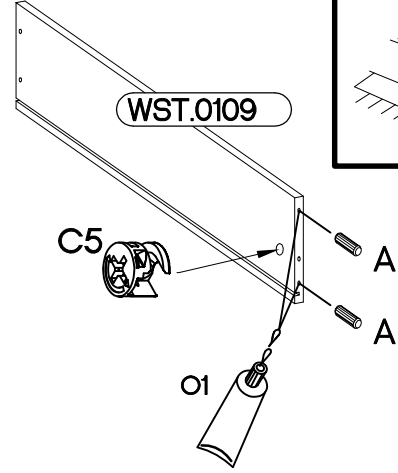
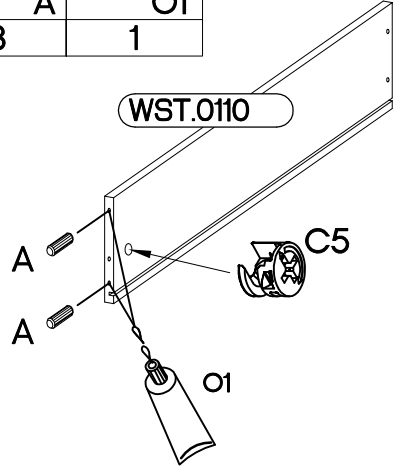
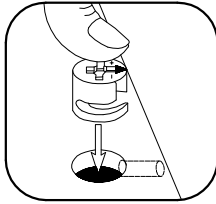
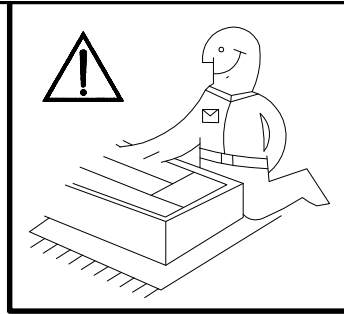
5




6

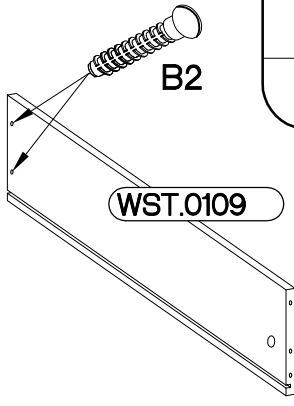
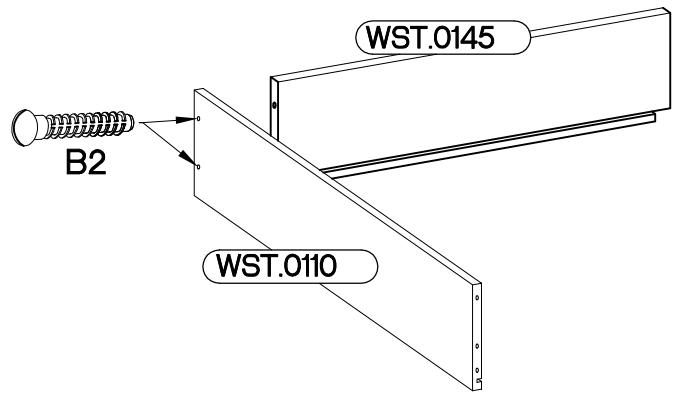
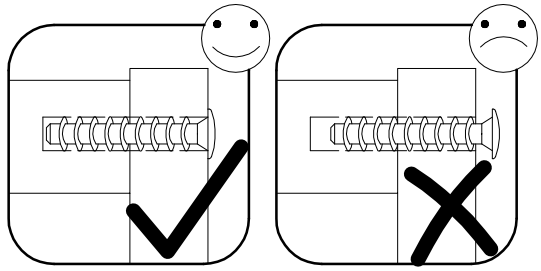
±12/10mm  C5 4	±8x30mm  A 8	 O1 1
---	---	---

x2

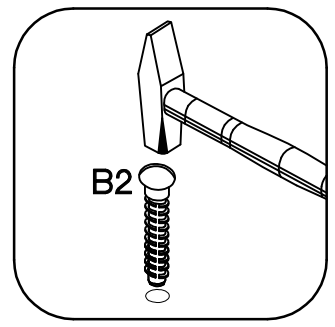


7


±6x42mm  B2 8



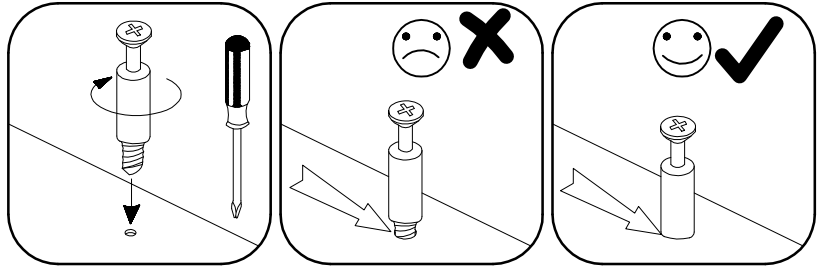
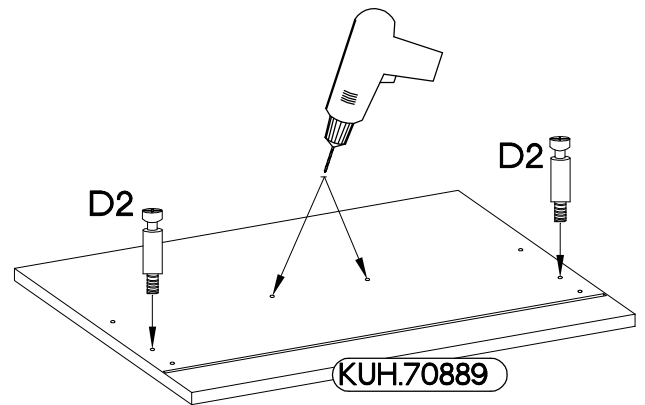
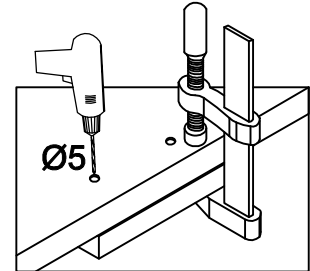
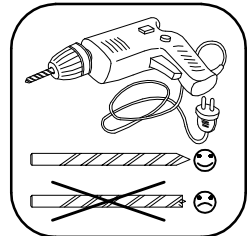
x2



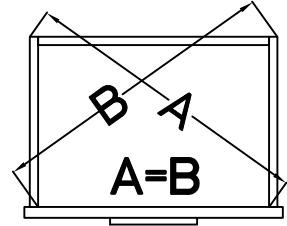
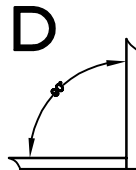
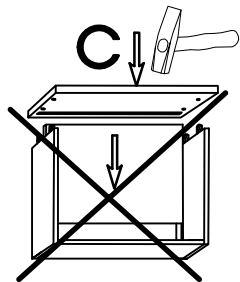
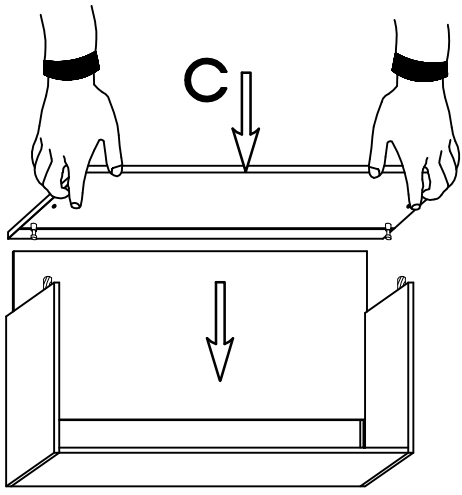
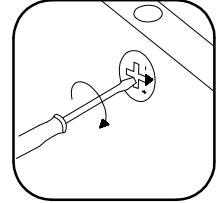
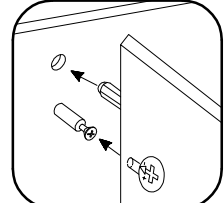
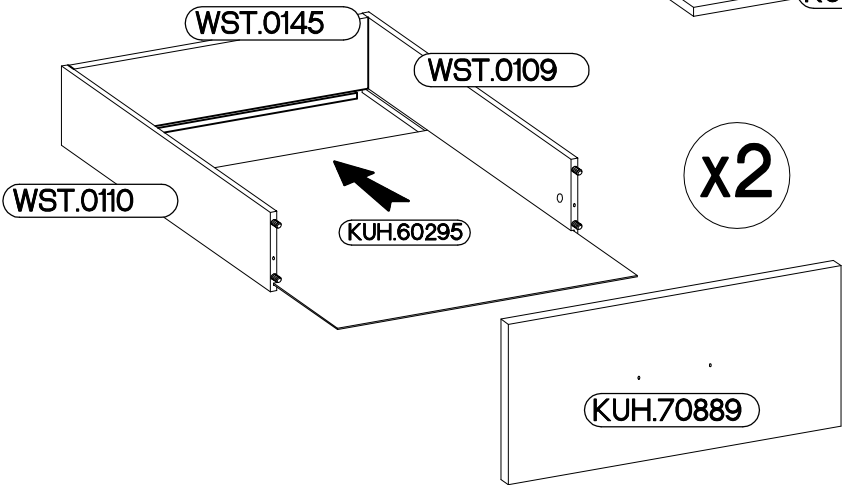
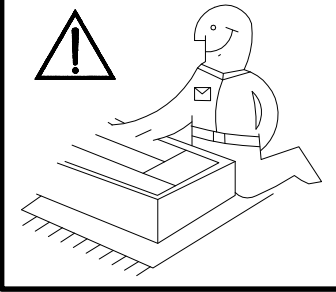
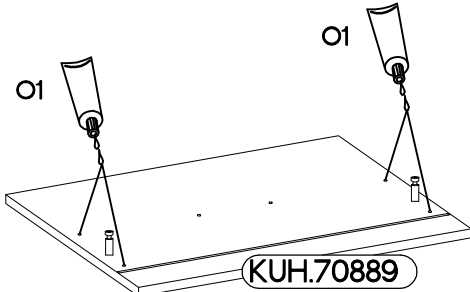
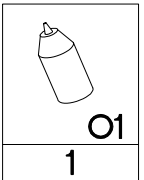
8

L=20mm  D2 4
--

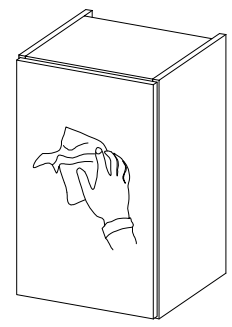
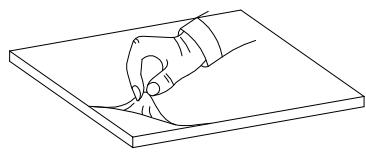
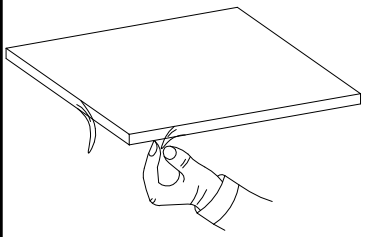
x2



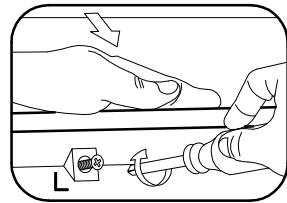
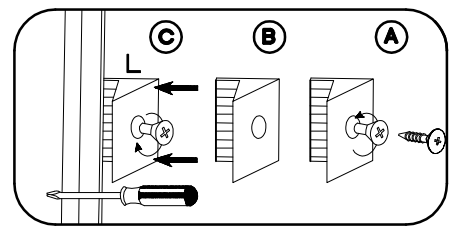
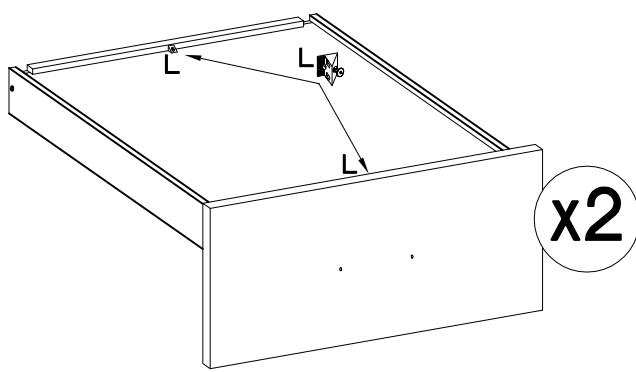
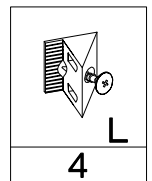
9

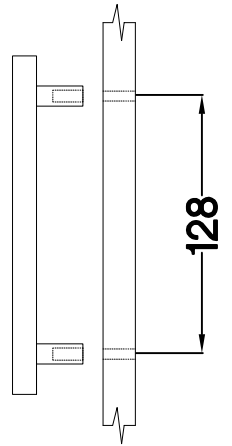
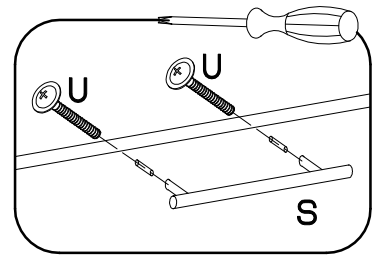
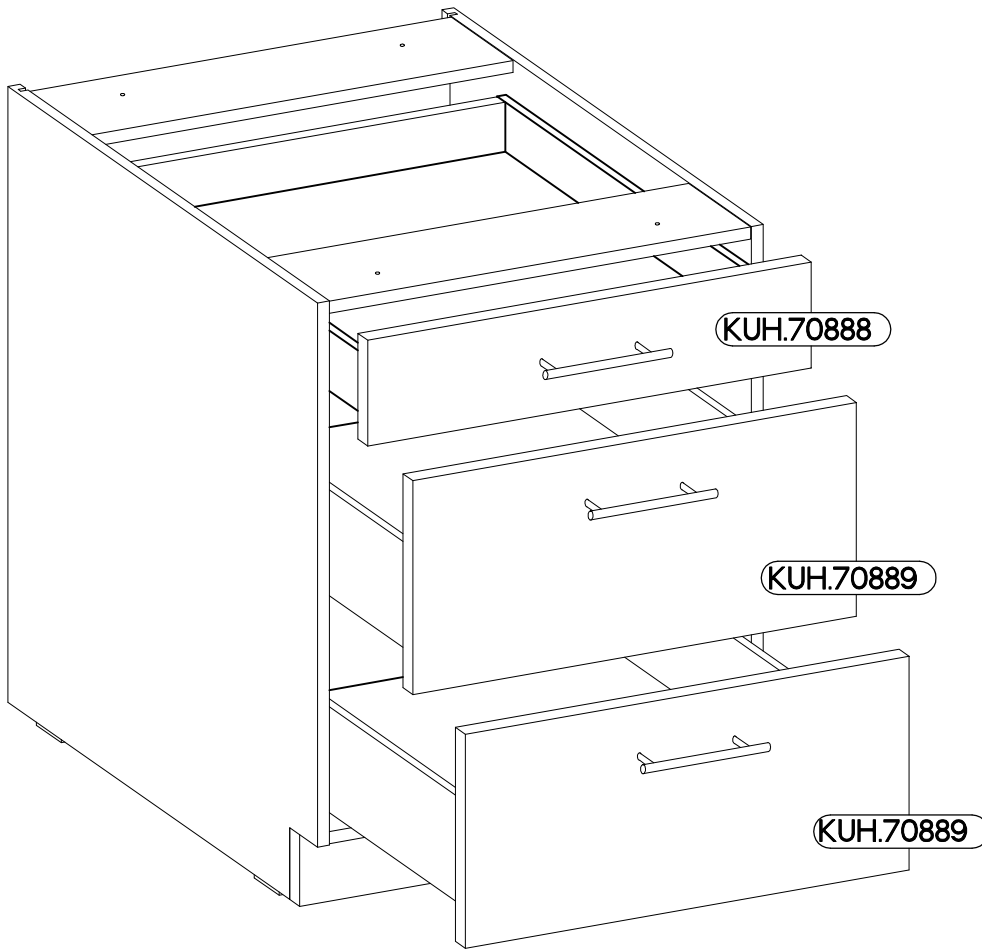


VARIANT HIGH GLOSS

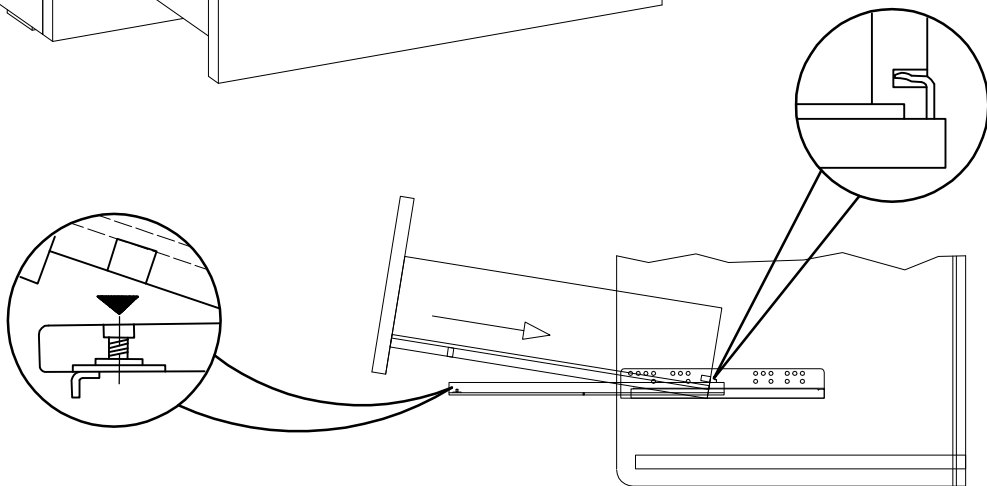


10

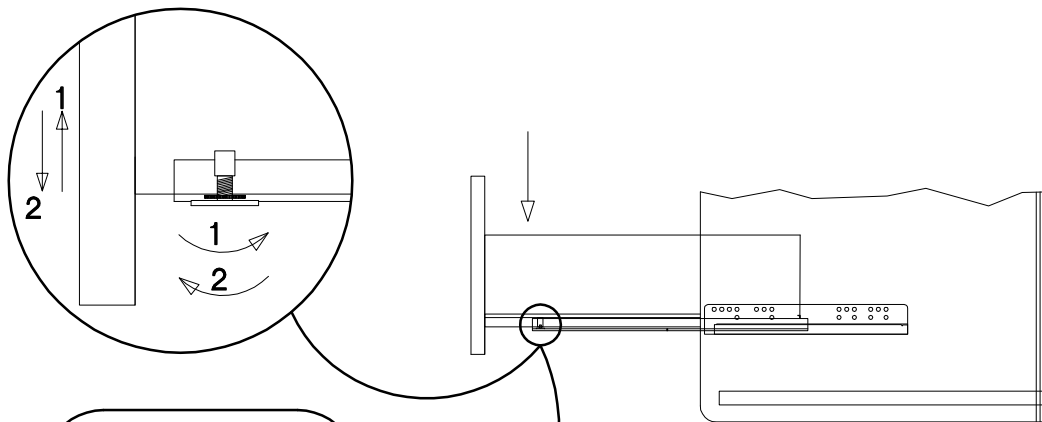




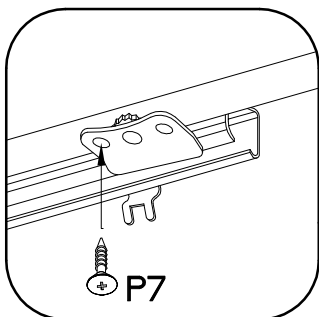
1.






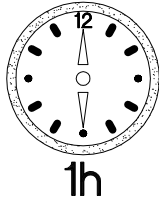
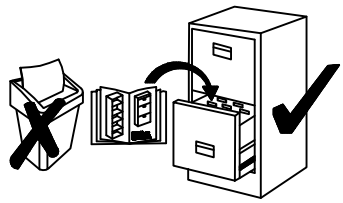
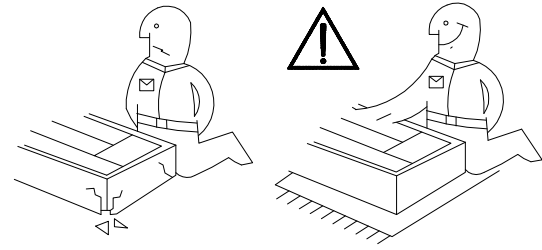
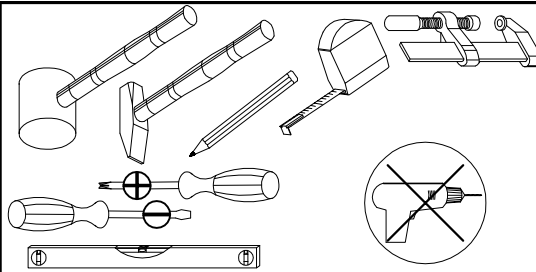
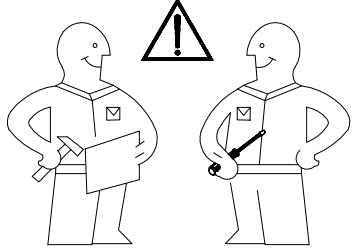
2.



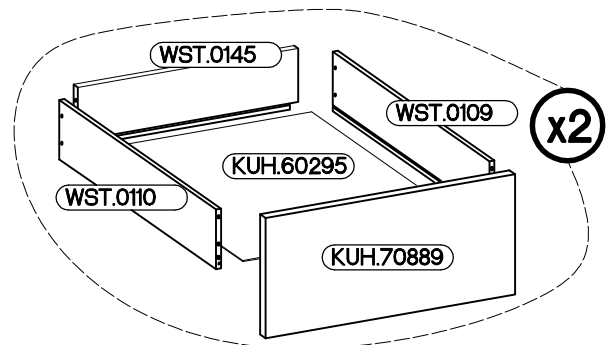
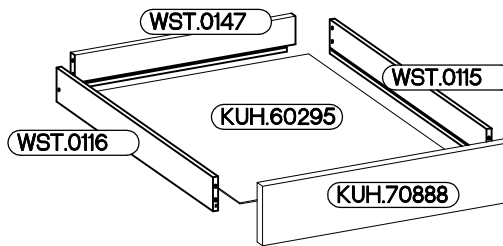
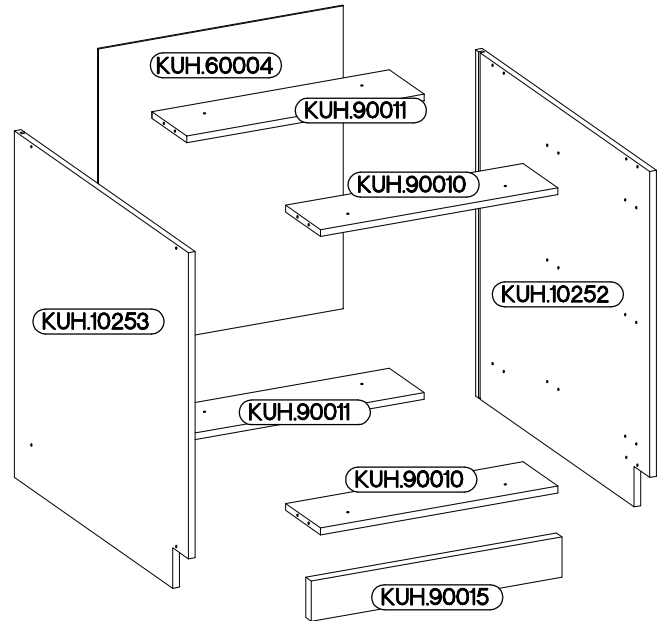
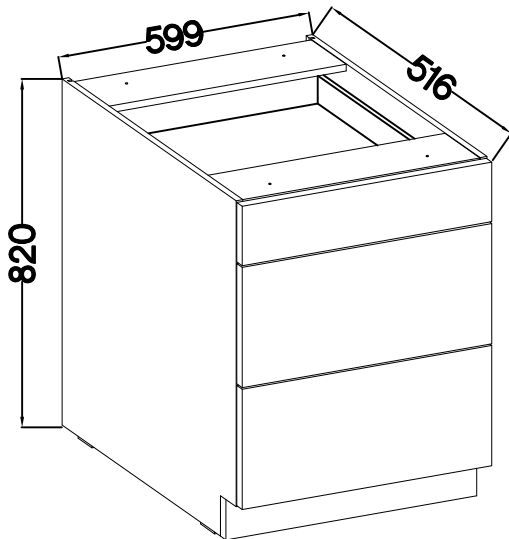
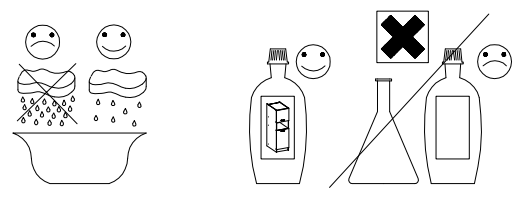
3.



M4x22mm	L=128mm	φ3.0x20mm
		
U	S	P7
6	3	6



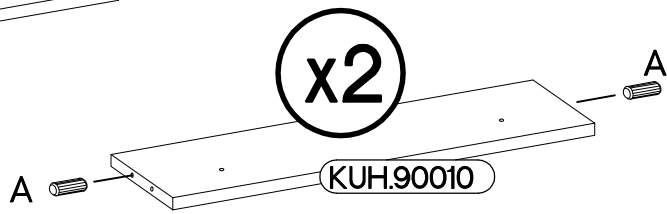
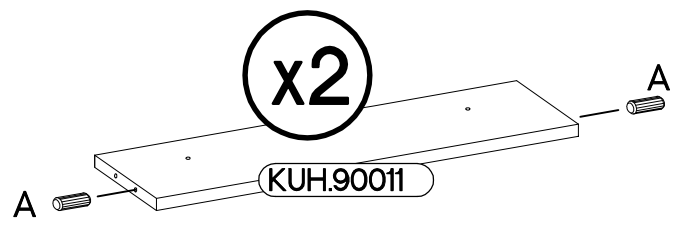
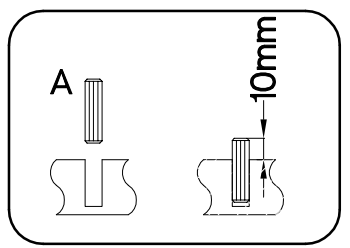
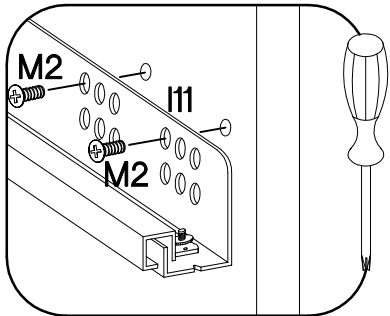
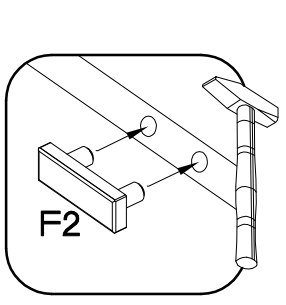
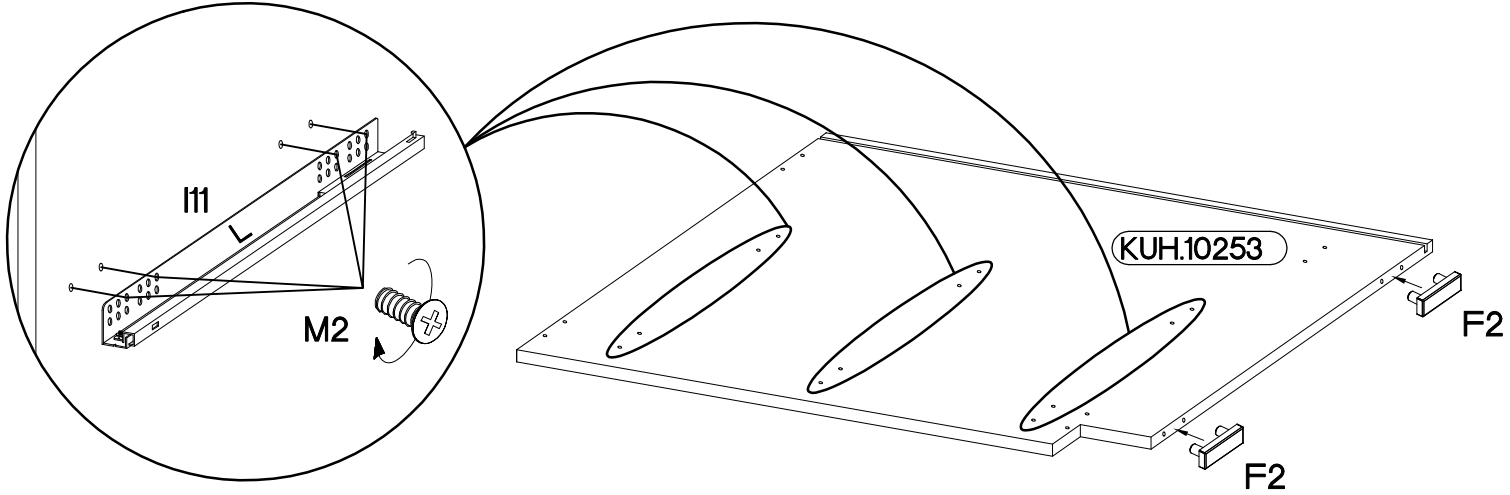
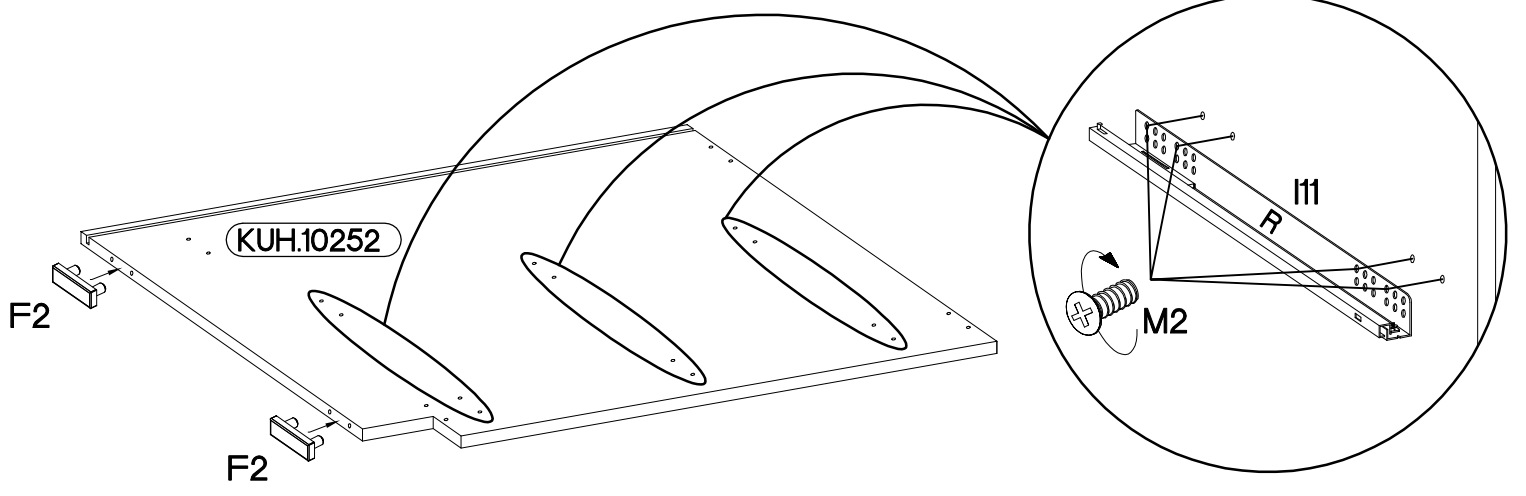
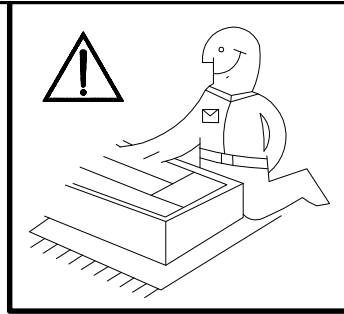
60 D 3S BB - QUADRO



 +8x30mm A	 6,4 x 50mm B	 +6x42mm B2	 +12/10mm C5
20	8	10	6
 L=20mm D2	 E1	 E9	 L=450mm I1
6	8	2	3
 L	 +6.3x13mm M2	 O	 O1
6	24	1	1
		 +4.0x45mm P4	 +3.0x20mm P7
		2	16
		 +4.0x35mm R3	
		4	

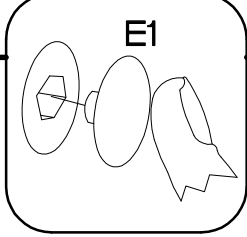
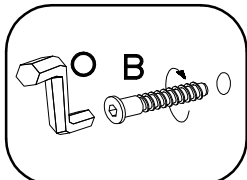
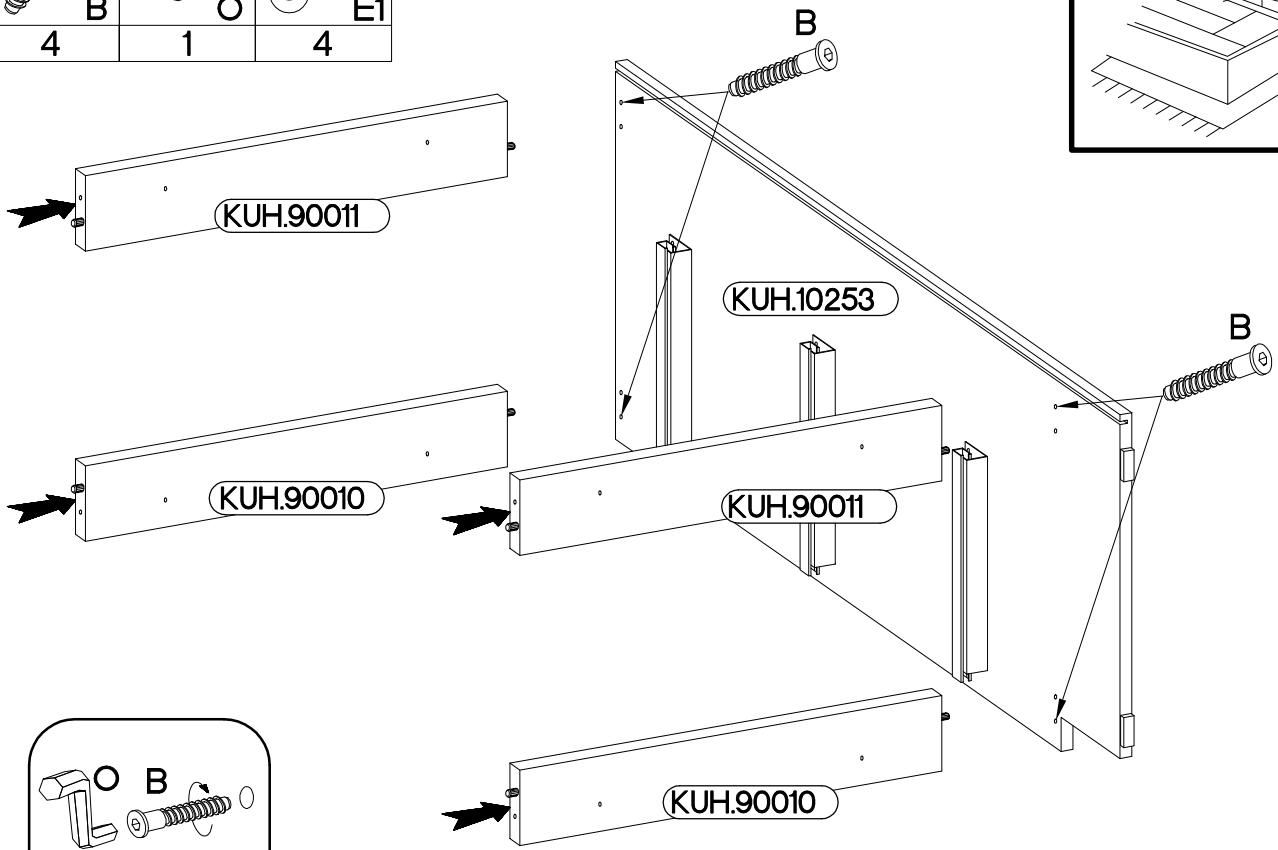
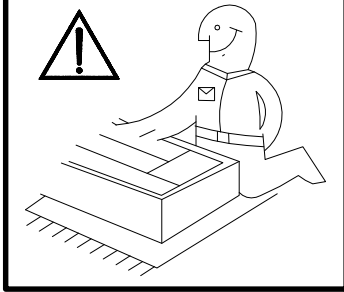
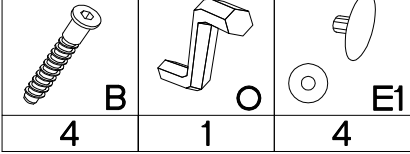
1

6.5x48x16 F2 4	±8x30mm A 8	L L=450mm 3	[CD] I11 R 111	+6.3x13mm M2 24
----------------------	-------------------	-------------------	----------------------	-----------------------

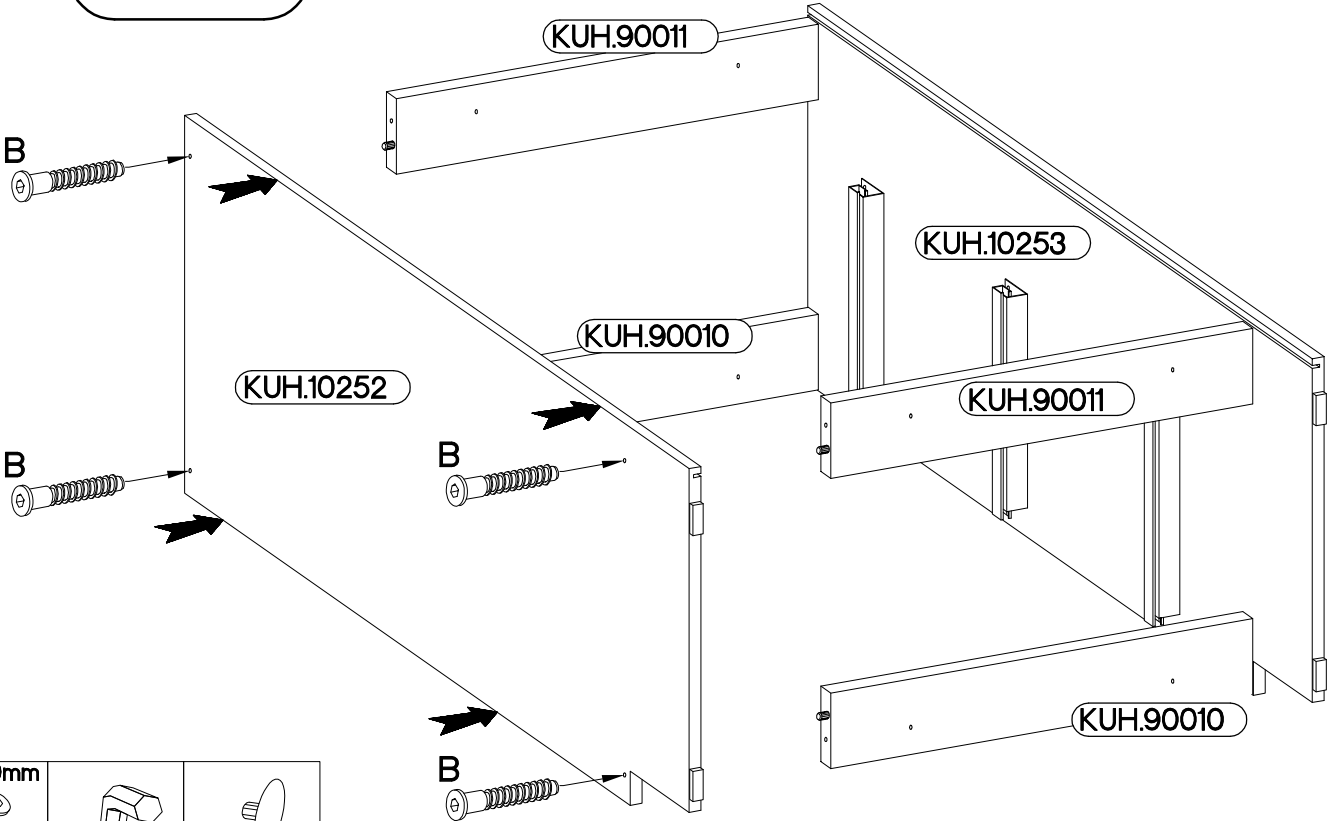


2

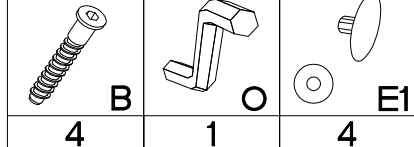
6,4 x 50mm



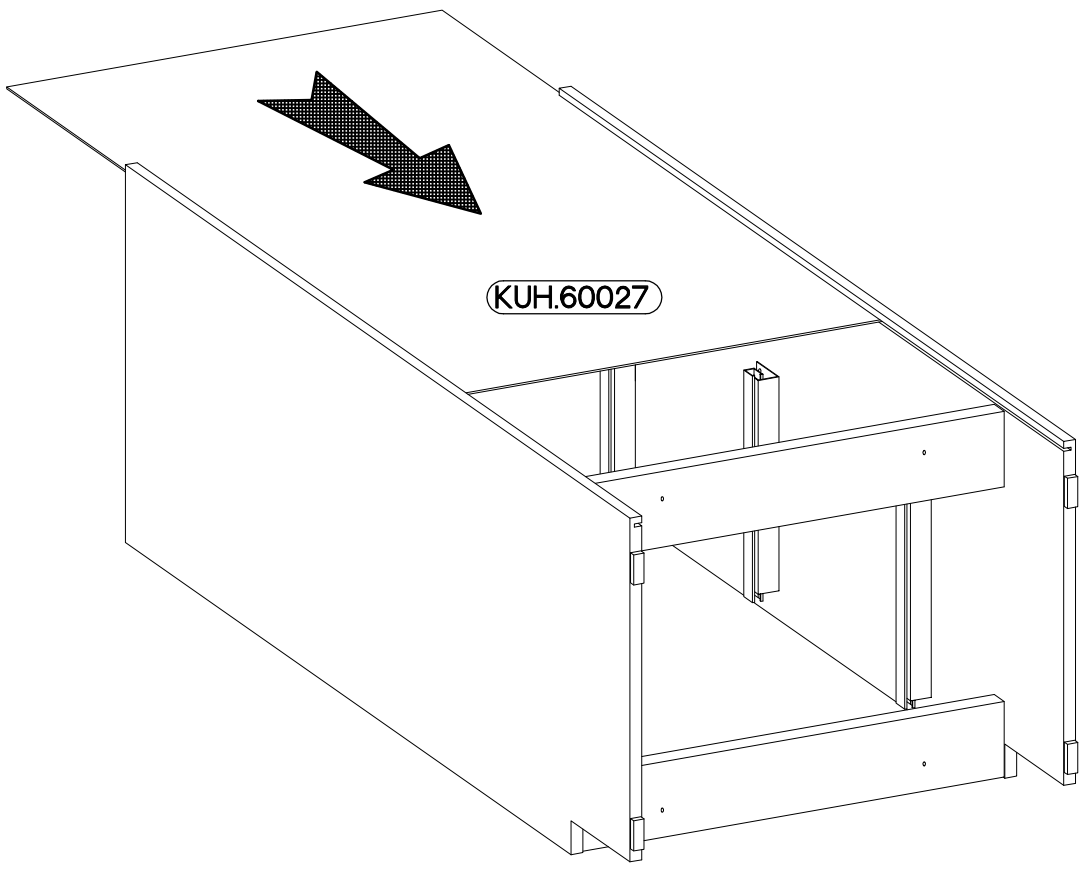
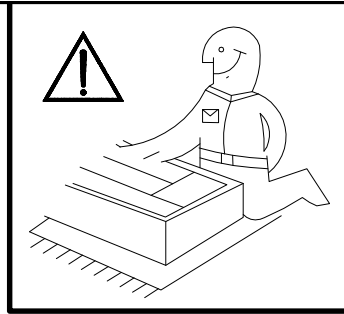
3



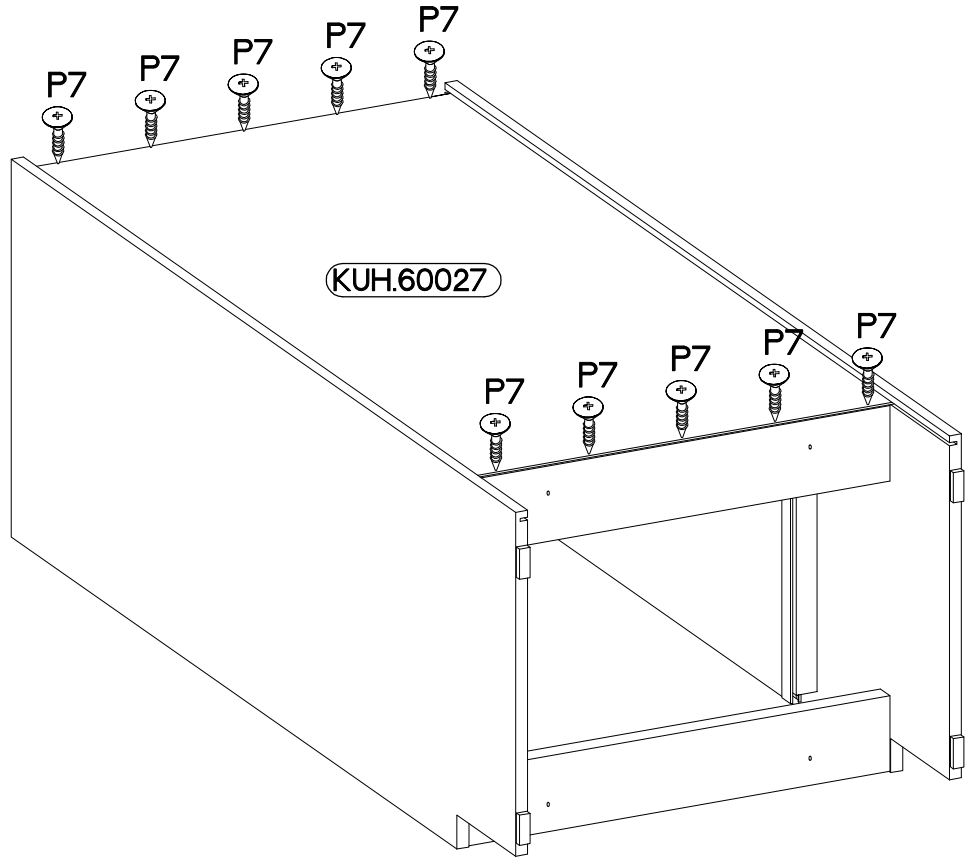
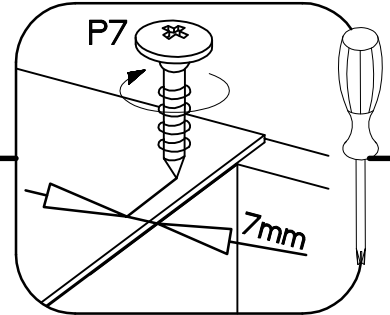
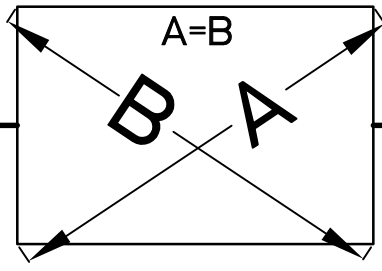
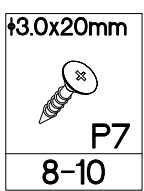
6,4 x 50mm



4

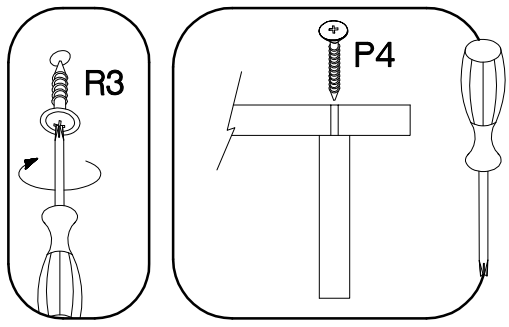
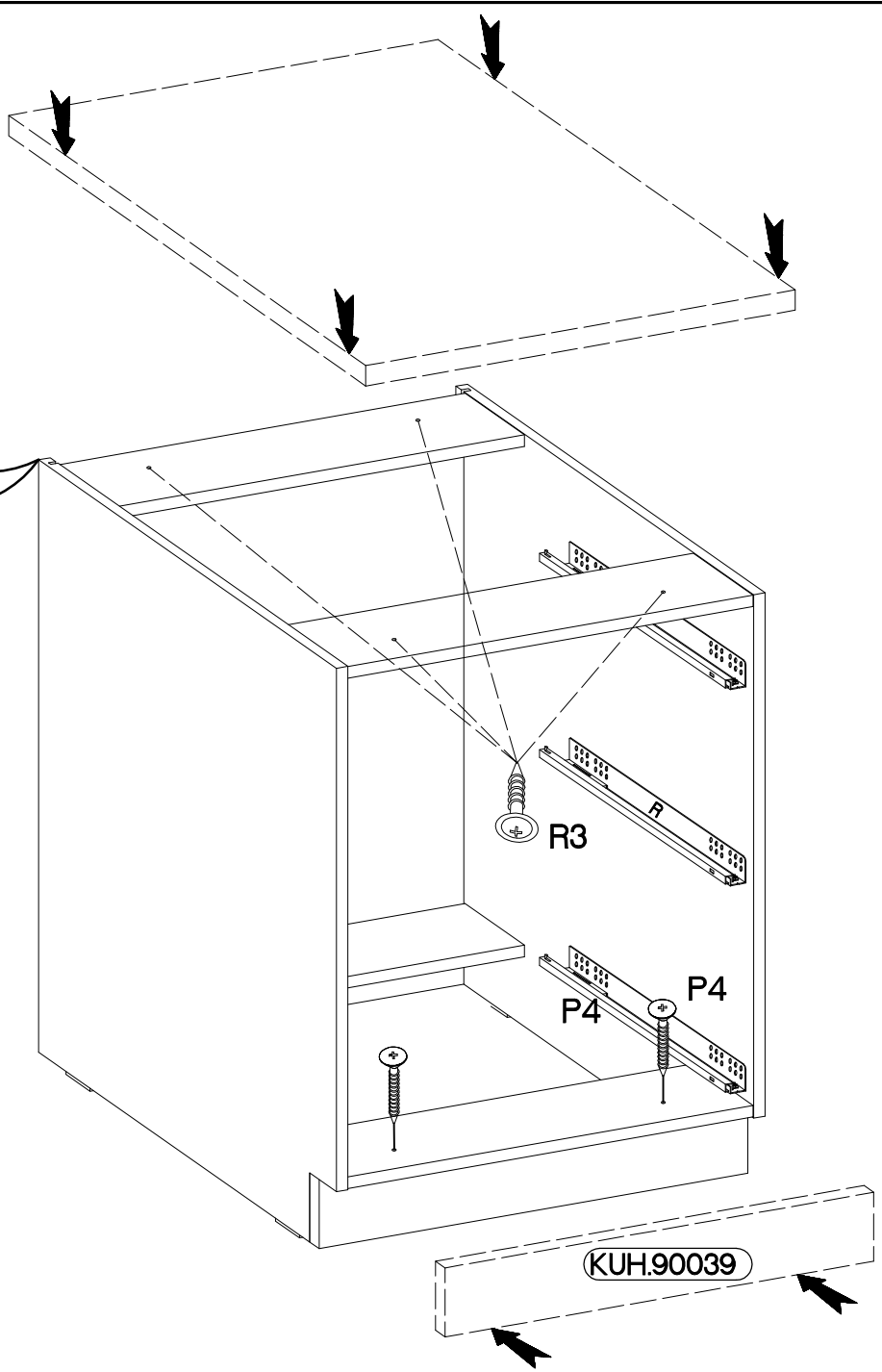
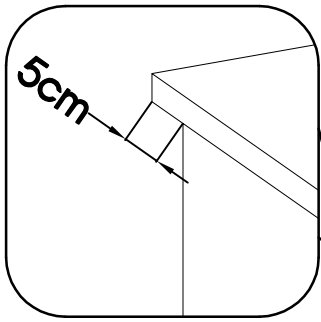


5



6

4.0x45mm P4	E9	4.0x35mm R3
2	2	4



7

