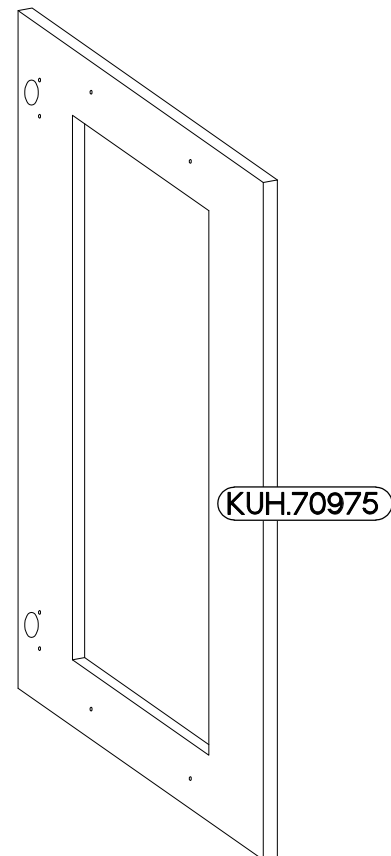
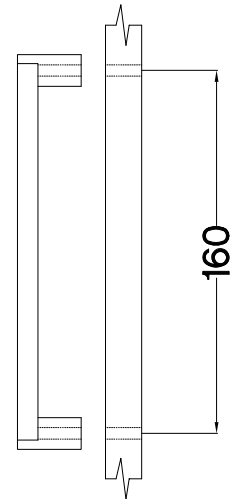
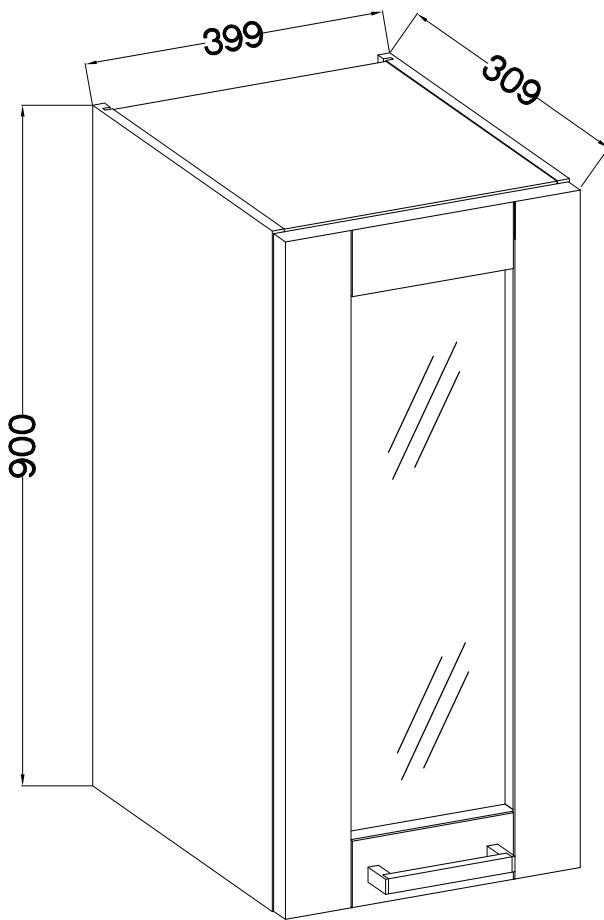
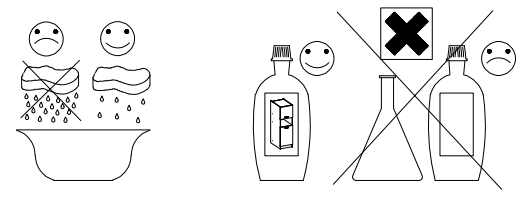




40 GS-90 1F WS  
FRONT



| Ersatzteil Nummer | Dimension  |
|-------------------|------------|
| KUH.70974         | 896x396x19 |

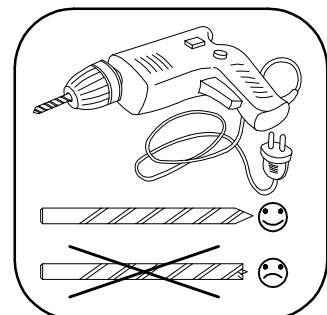
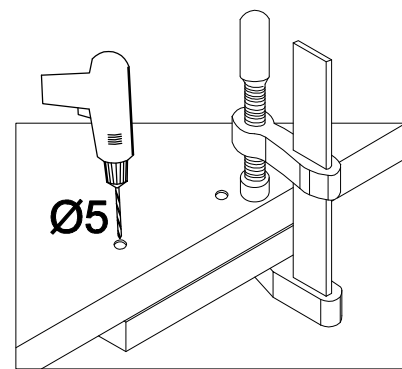
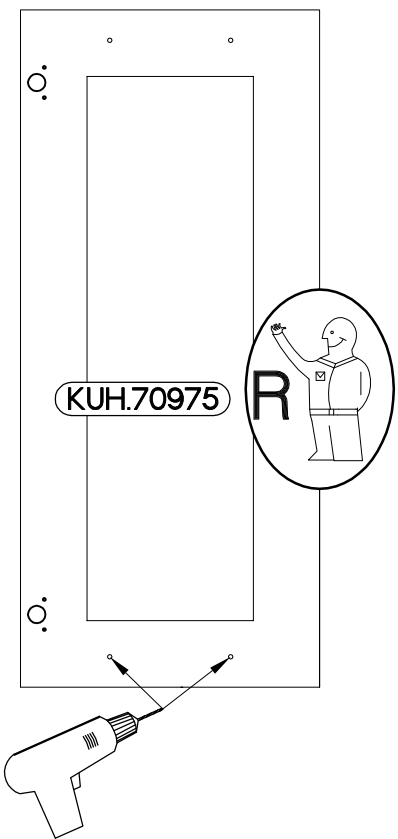
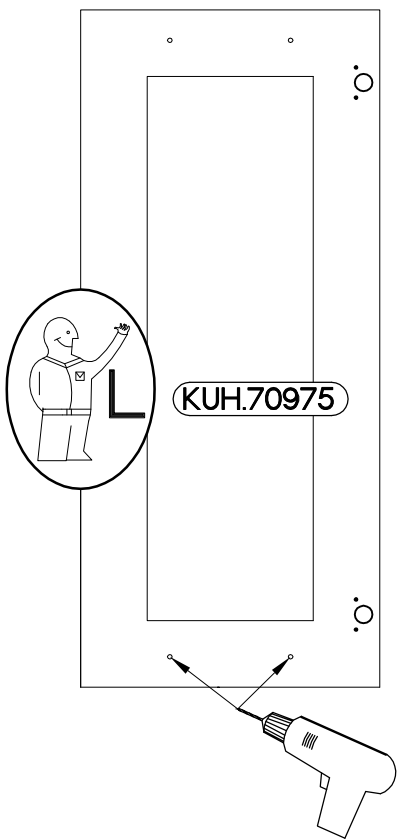
|  | M4x27mm   |
|--|---|
|  |  |
| S  | U8  |
| 1  | 2   |

ISM-KUH-01672

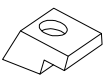
1

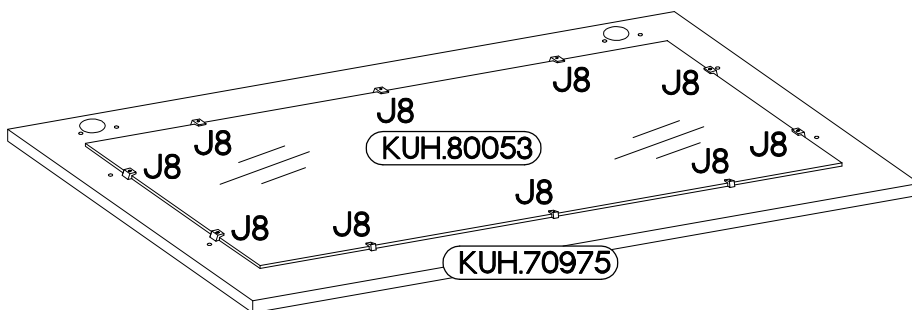
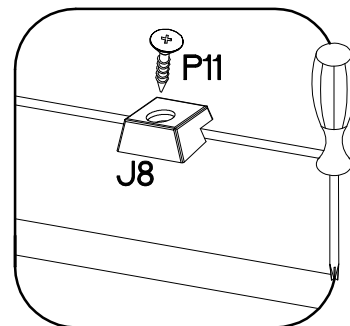
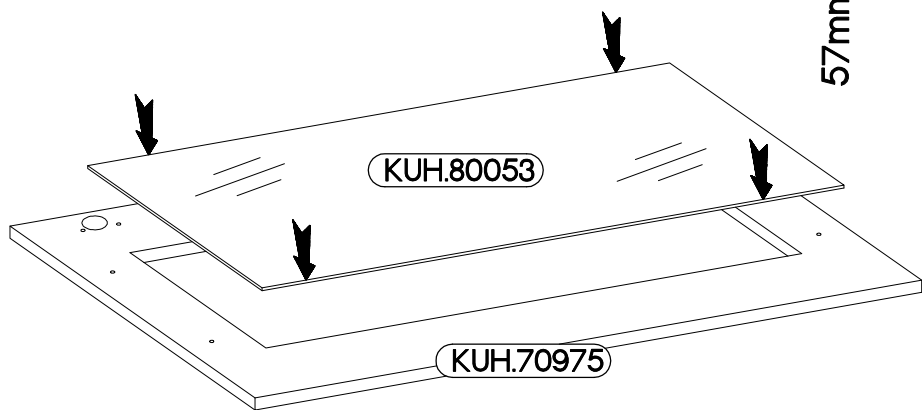
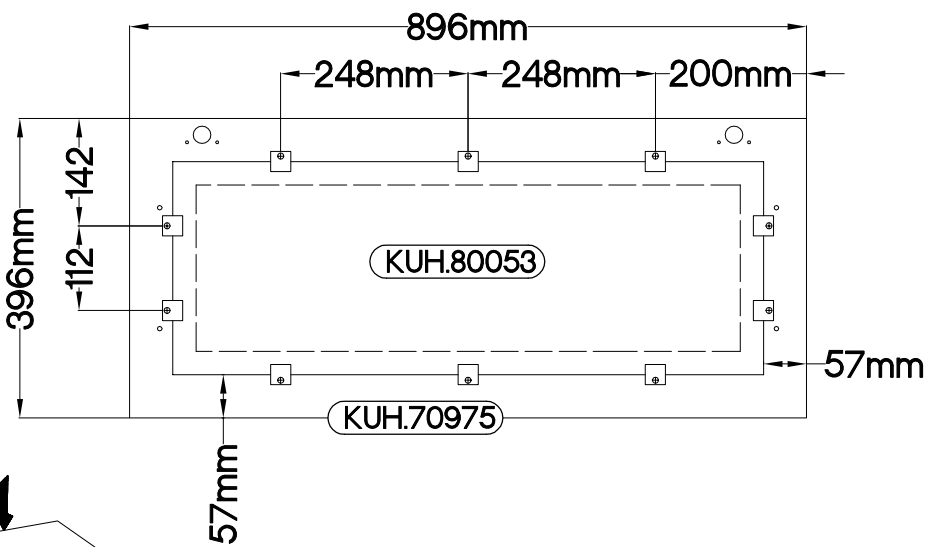
LEFT

RIGHT



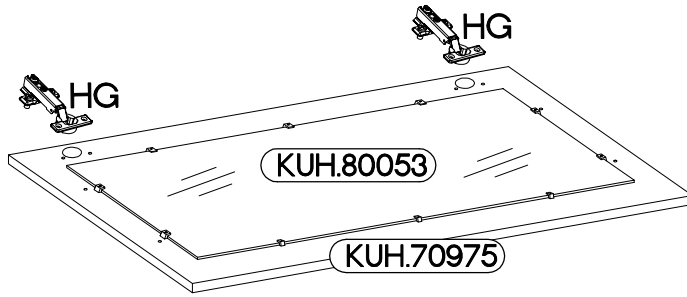
2

|   |           |
|---|-----------|
|  | ±3.0x16mm |
| J8  | P11       |
| 10  | 10        |



# 3

|                    |                      |
|--------------------|----------------------|
| +35/0mm<br>HG<br>2 | +3.5x13mm<br>P5<br>4 |
|--------------------|----------------------|



# 4

|                   |         |
|-------------------|---------|
| M4x27mm<br>S<br>1 | U8<br>2 |
|-------------------|---------|

