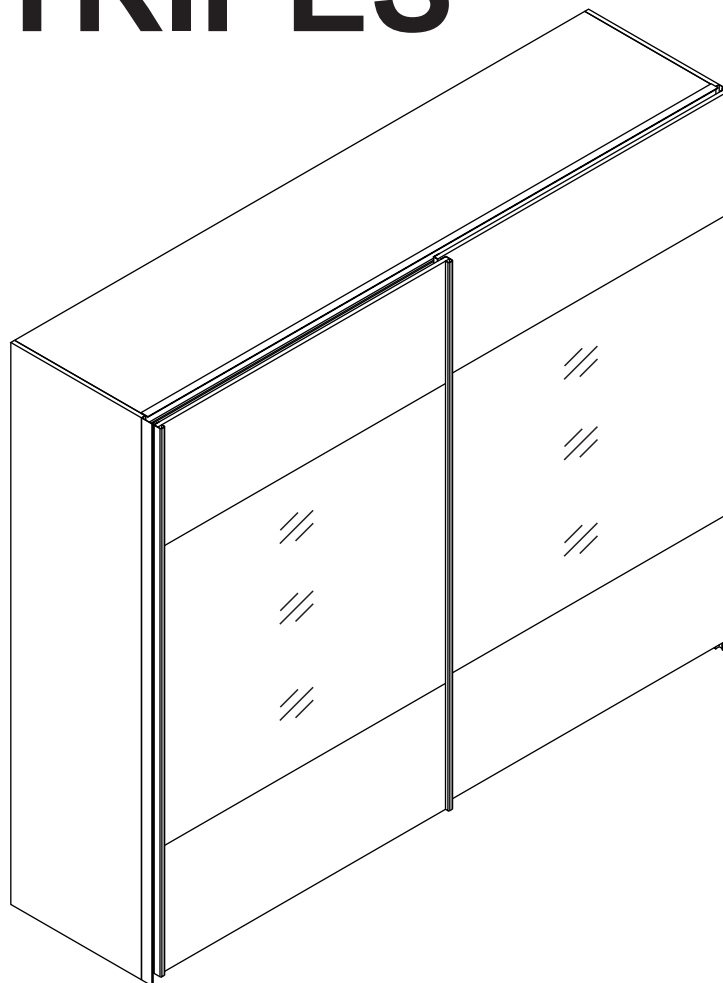
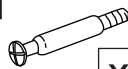



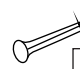



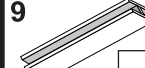

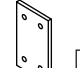








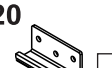


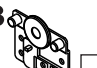
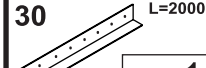
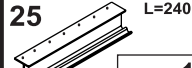

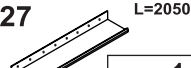





LUX STRIPES

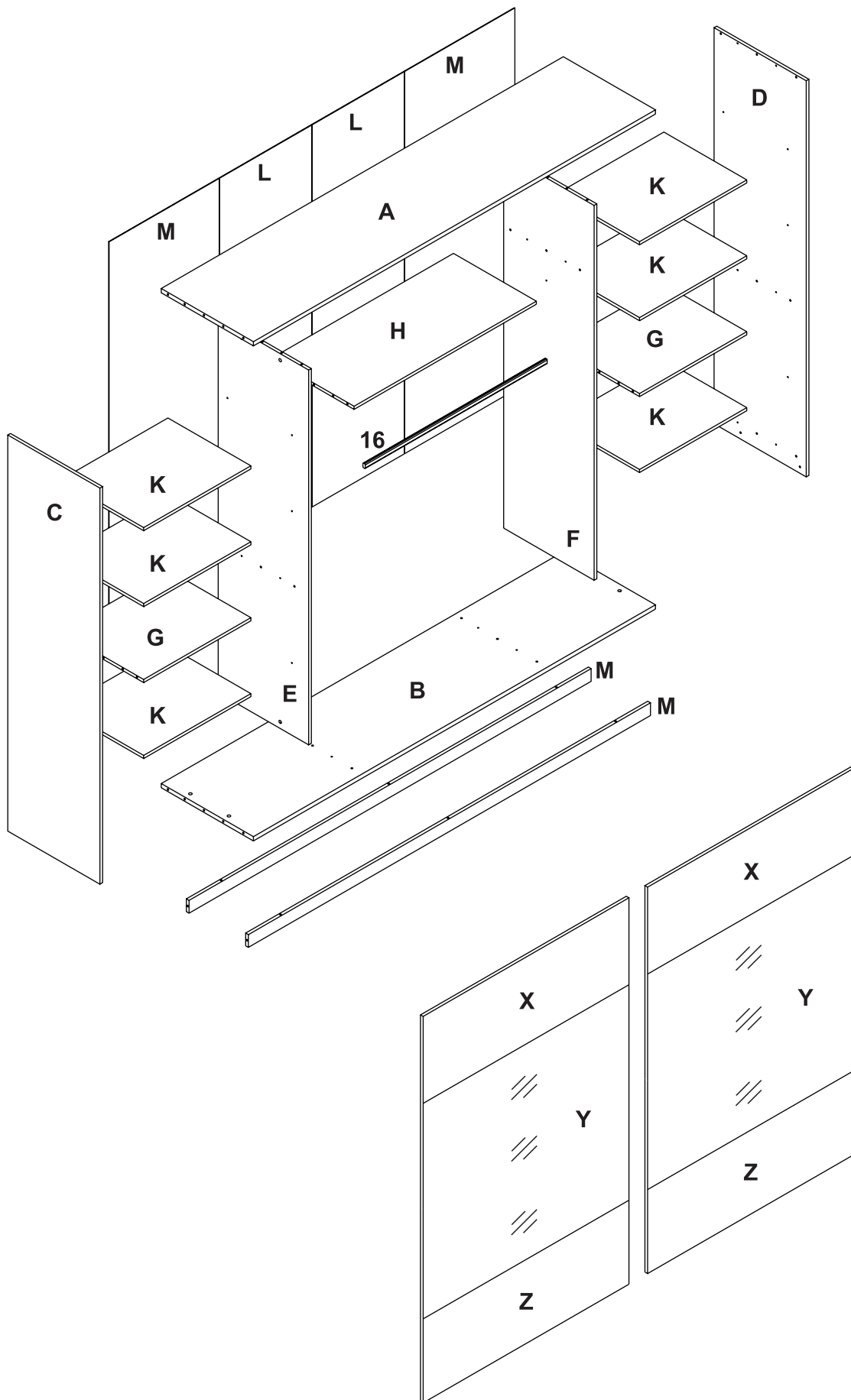


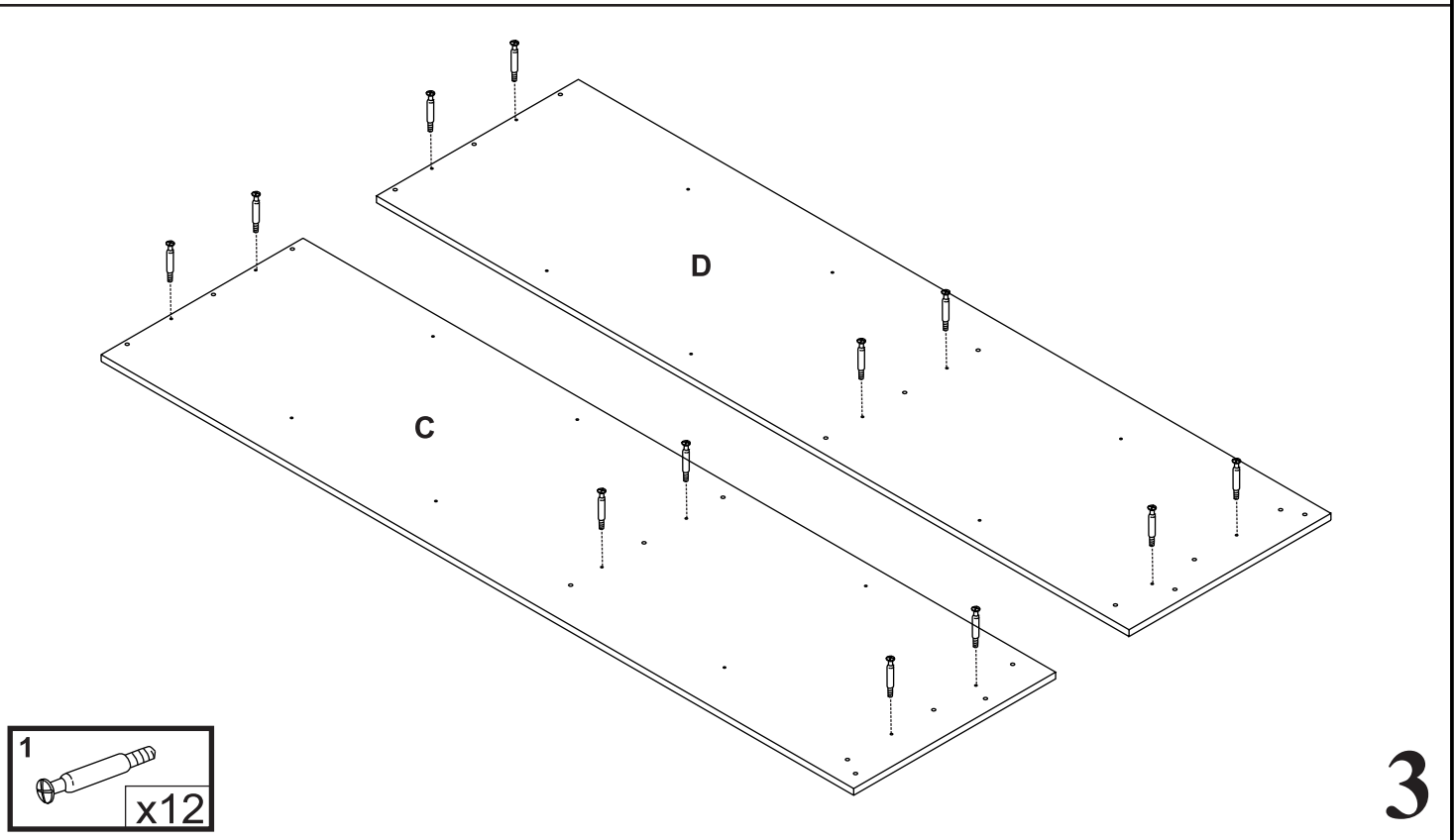
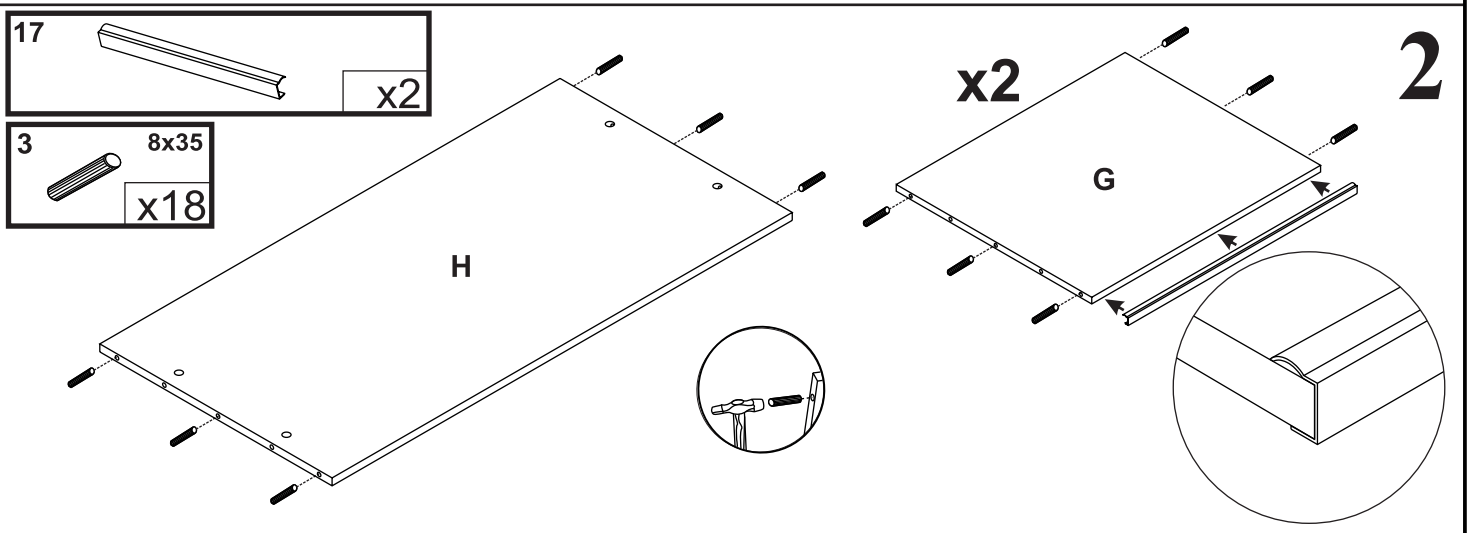
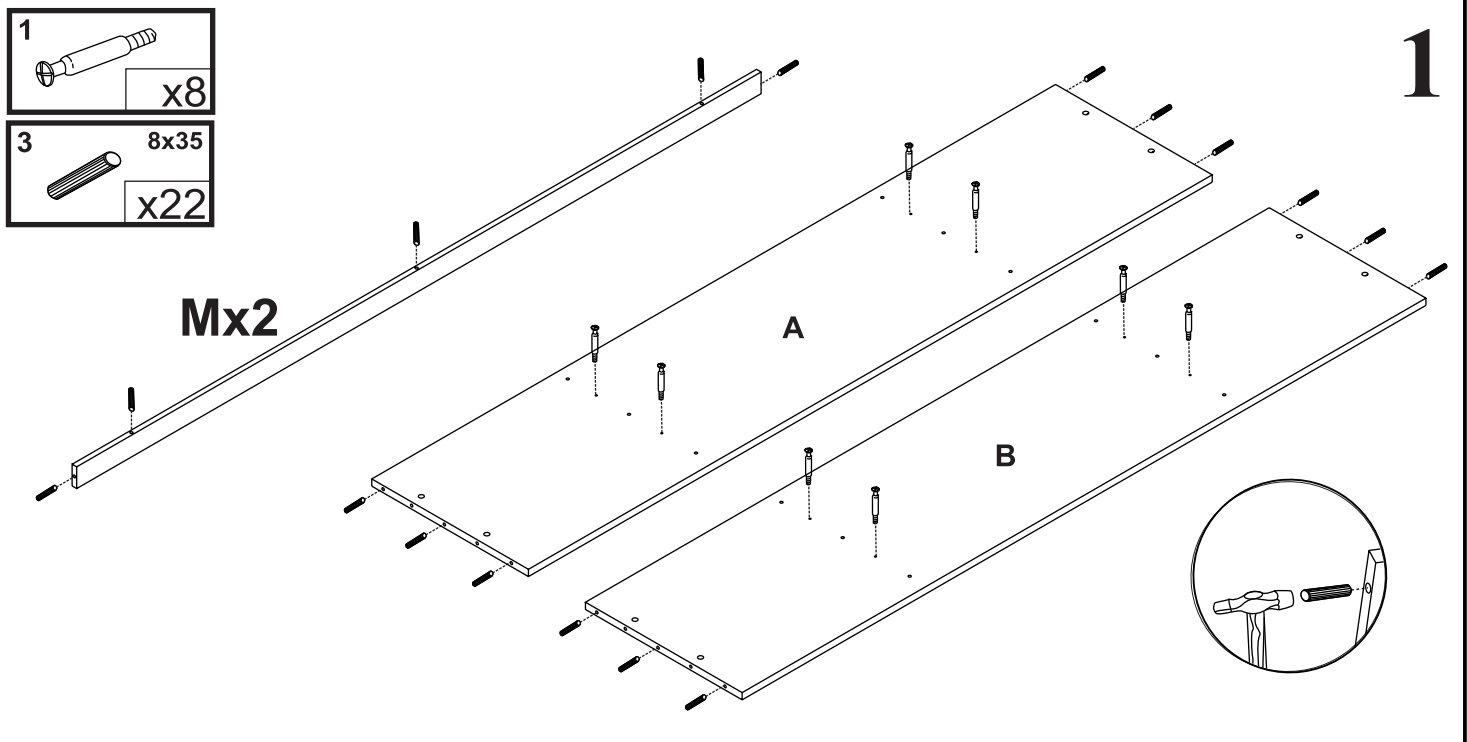
1  x28	2  x28	3 8x35  x52	4  x28	5  x150	6  x2
7  x24	8 3,5x15  x4	9  x1	10 3,5x25  x4	32  x12	12 3,5x13  x16
11  x1	14 4x12  x102	16  x1	17  x8		
31  x3	18  x2	19  x2	20  x2	21  x2	22  x1
23  x1	30 L=2000  x1	25 L=2400  x1	26 L=2400  x1	27 L=2050  x1	28 L=2050  x1
29 L=2000  x3	35 4x16  x16				

Czas mont. - 180 min.

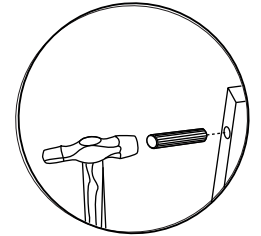
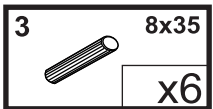
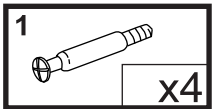
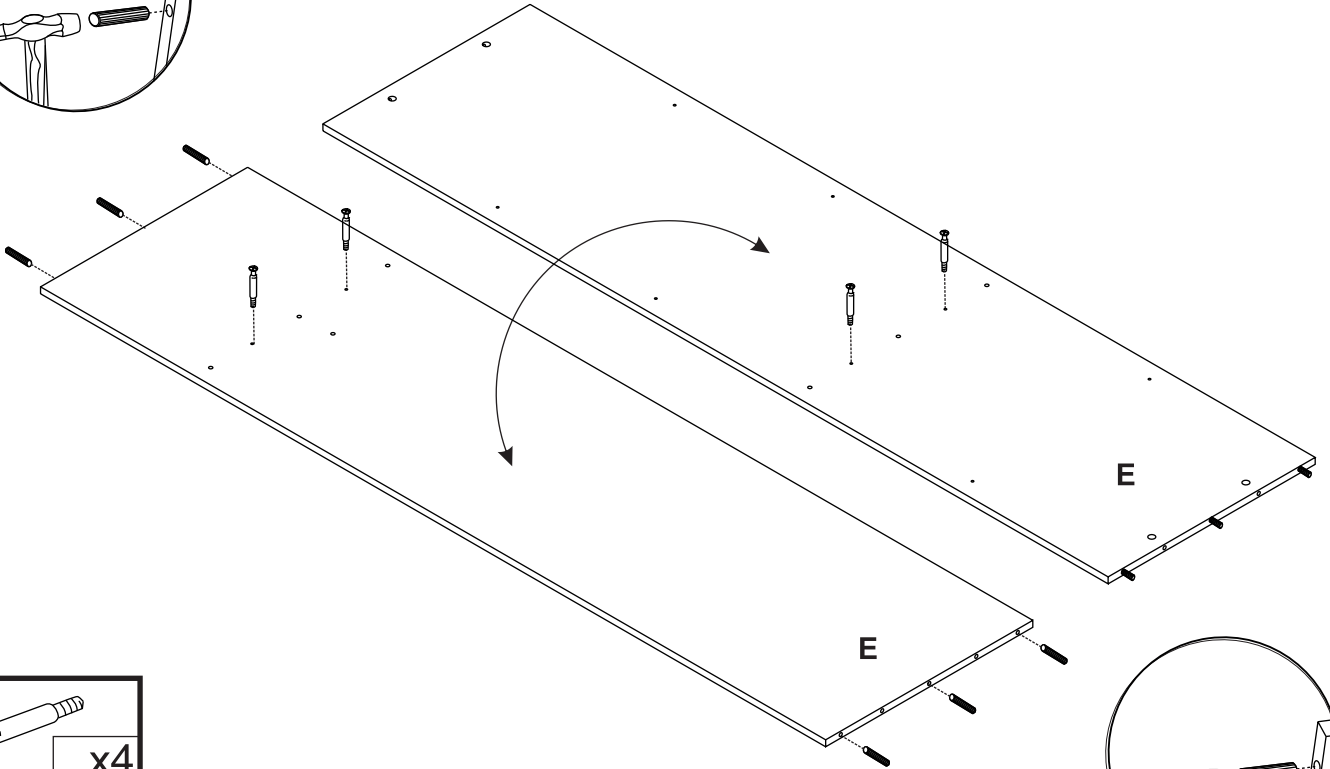
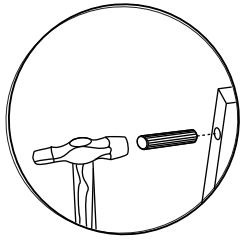


LUX STRIPES

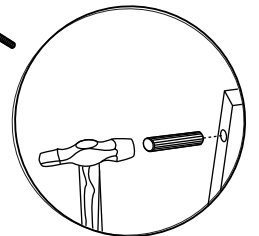
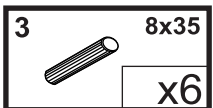
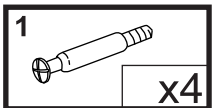
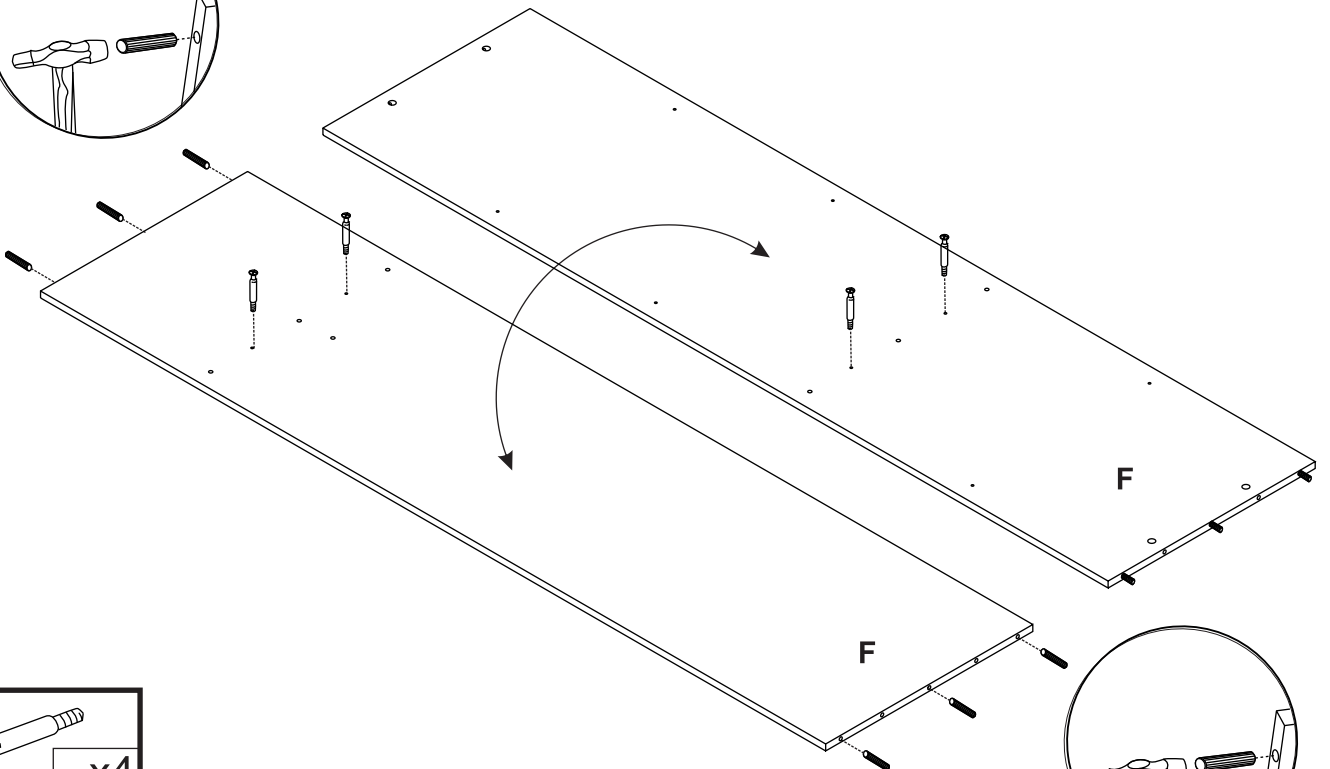
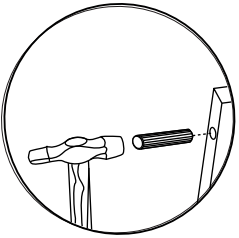


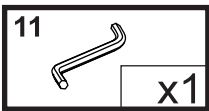
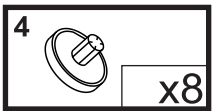
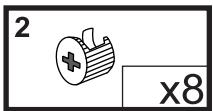
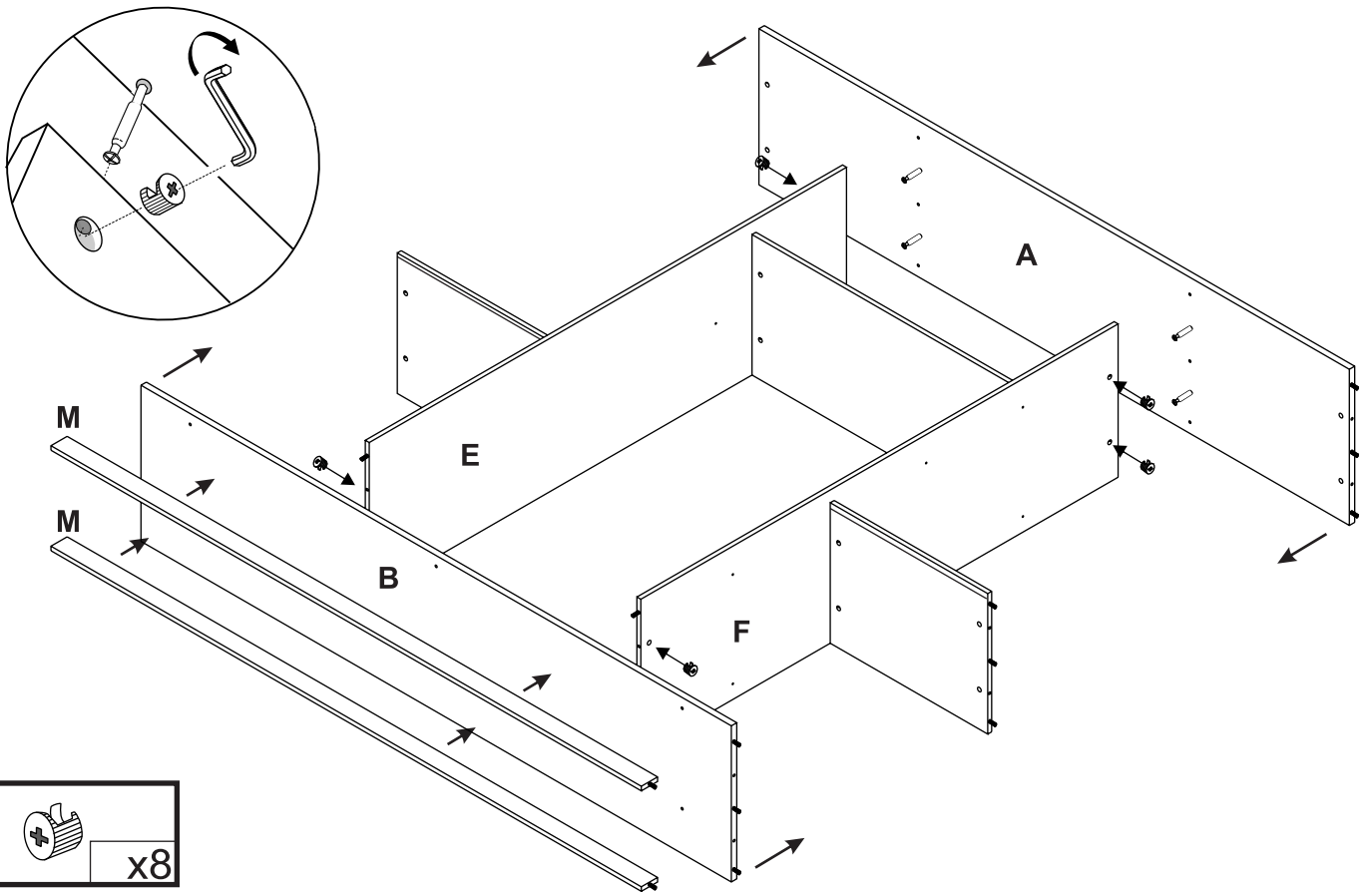
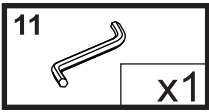
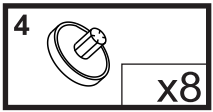
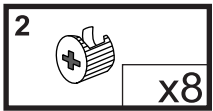
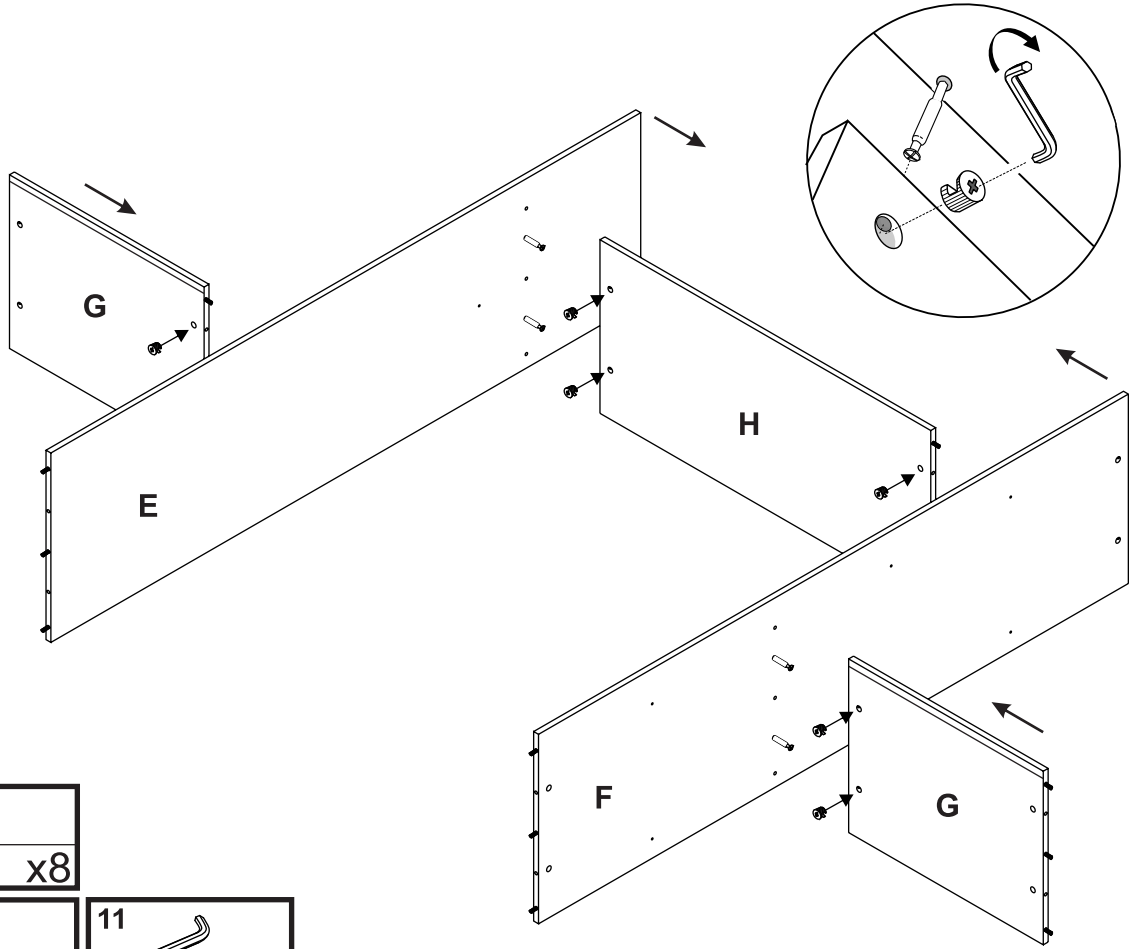


4

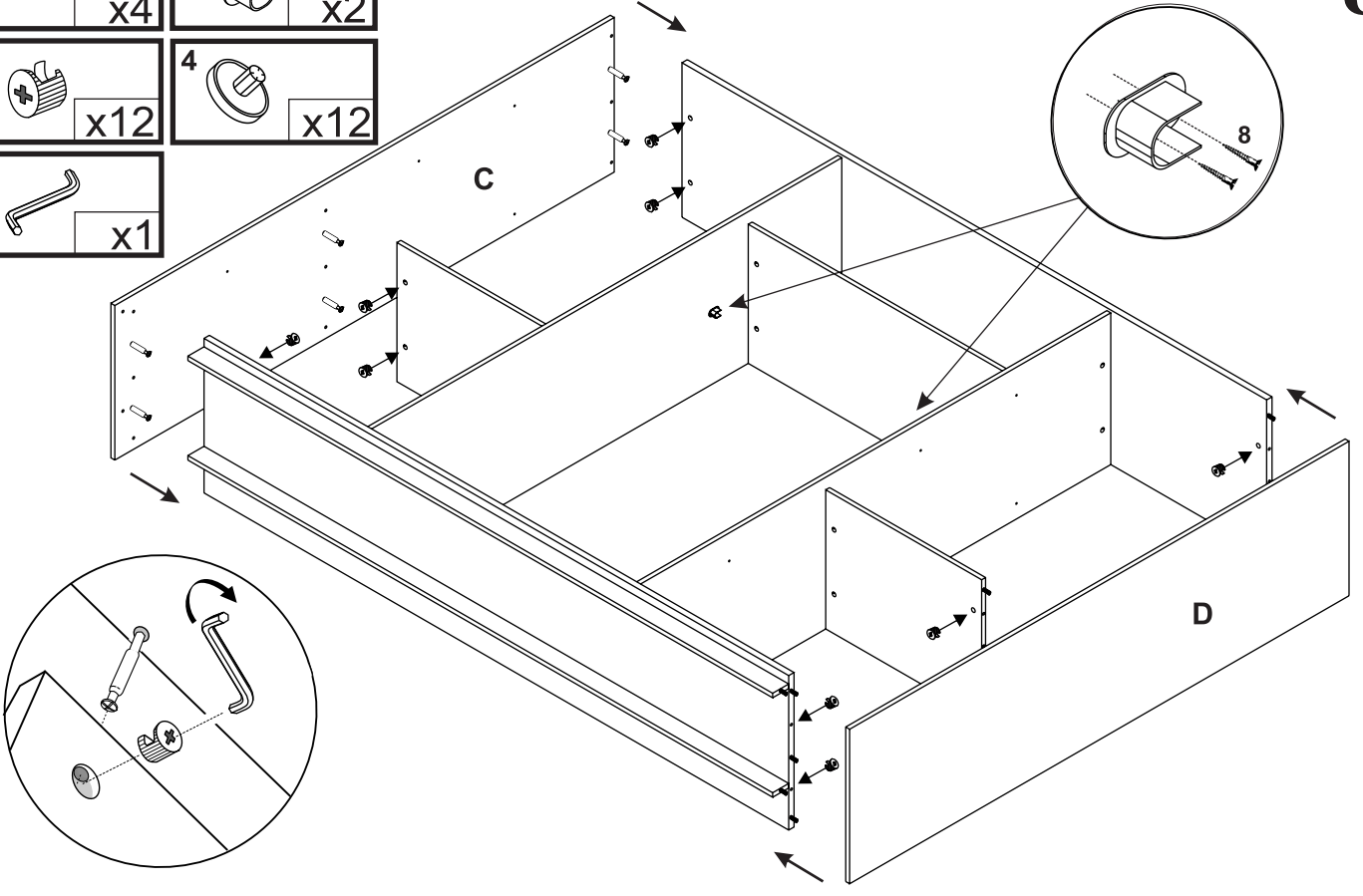


5

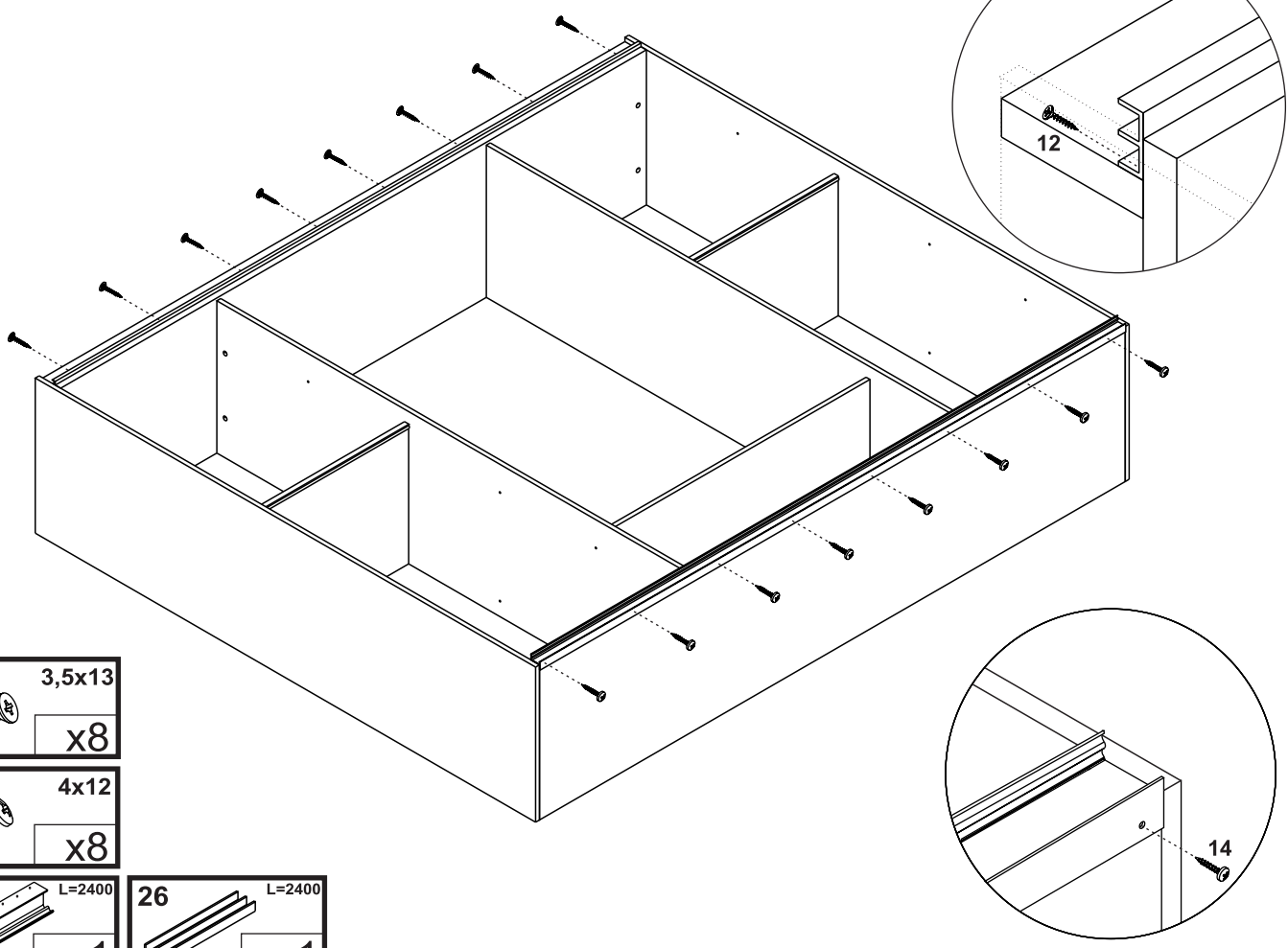


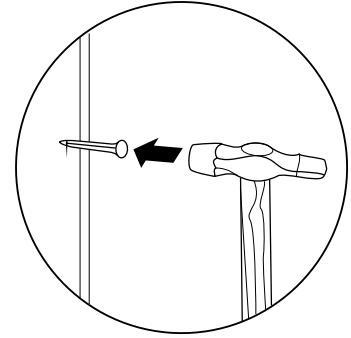
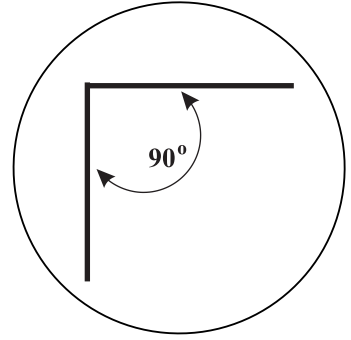
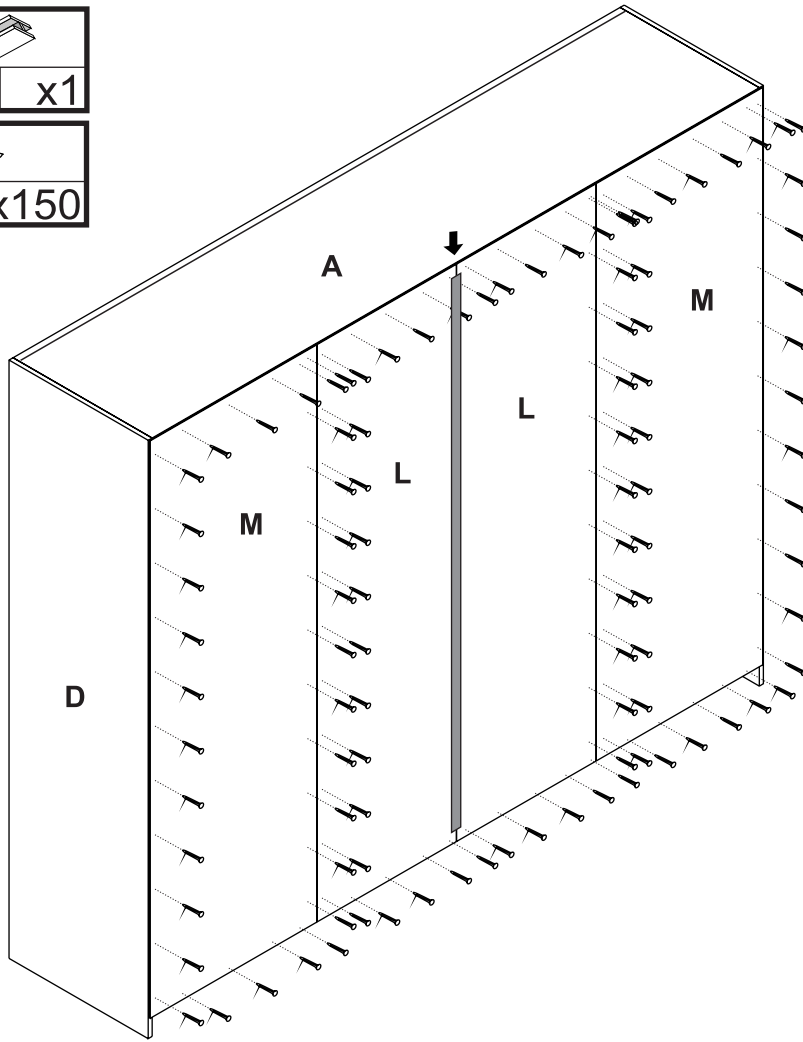
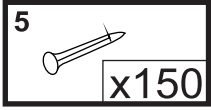
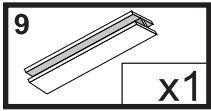


- 8 3,5x15 x4
- 6 x2
- 2 x12
- 4 x12
- 11 x1

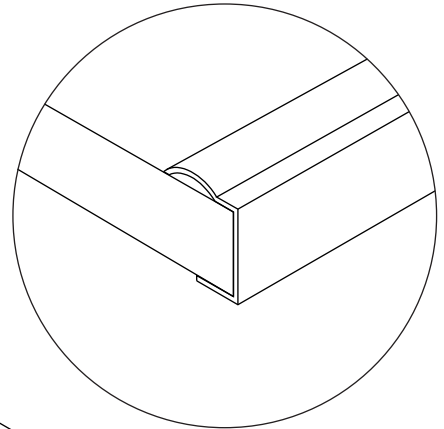
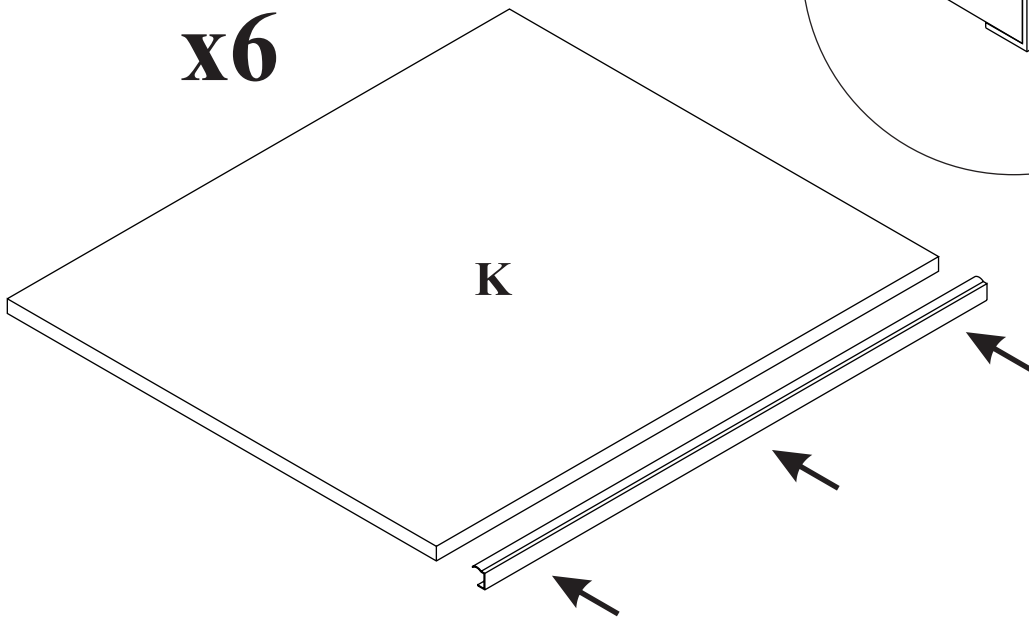


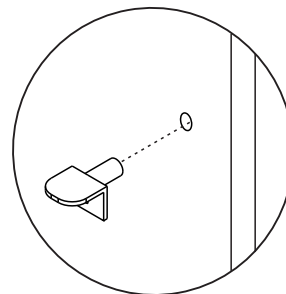
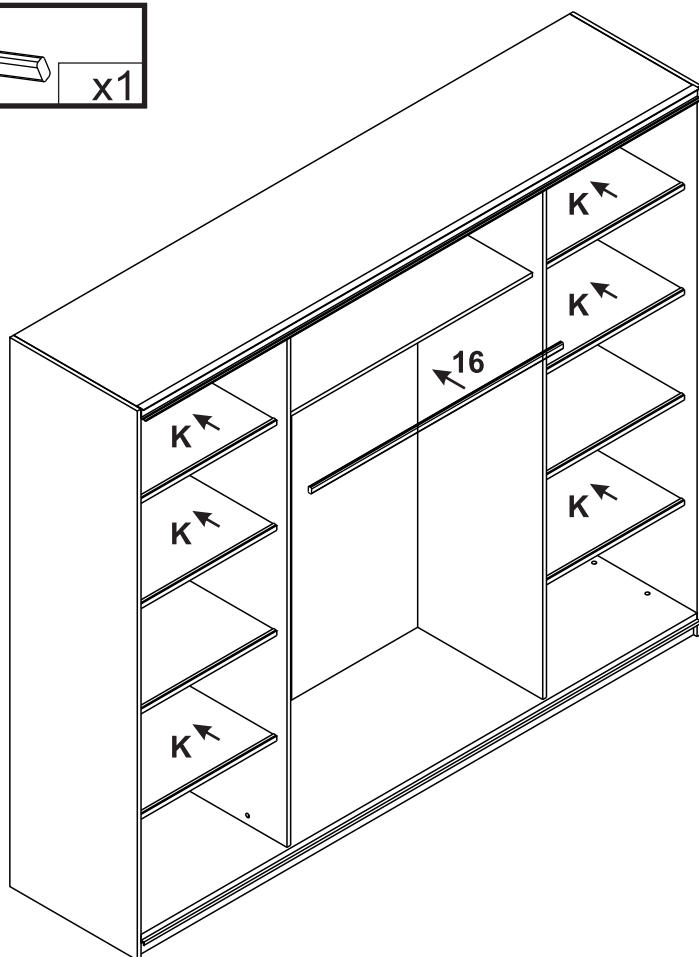
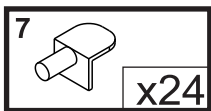
- 12 3,5x13 x8
- 14 4x12 x8
- 25 L=2400 x1
- 26 L=2400 x1



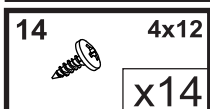
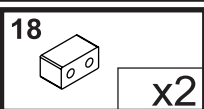
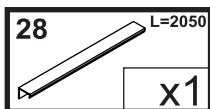
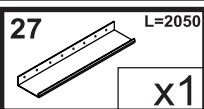
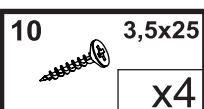
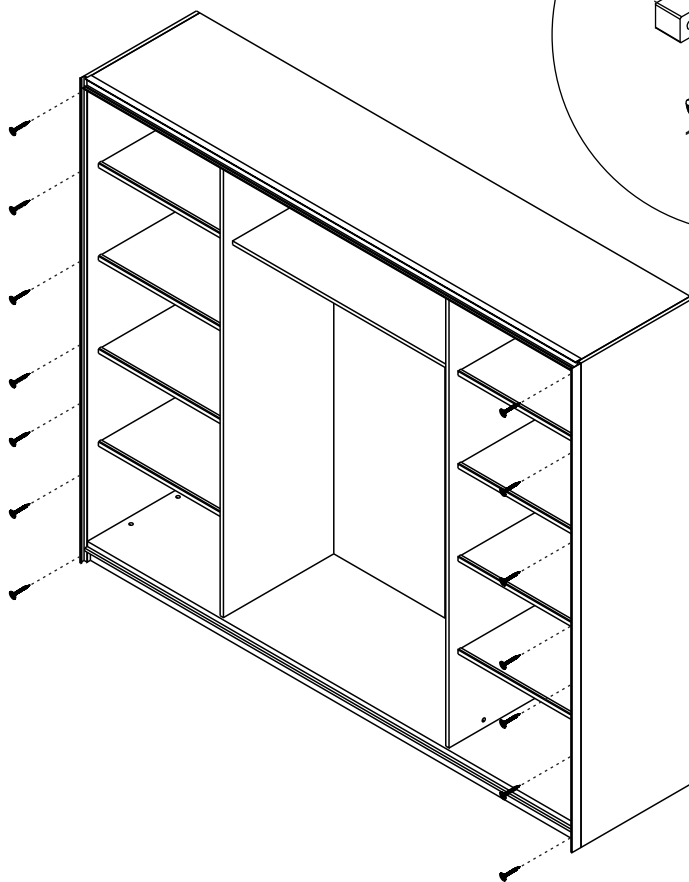
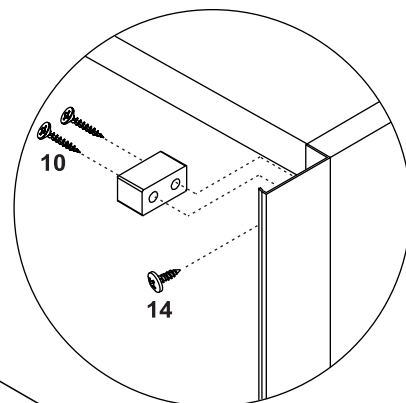
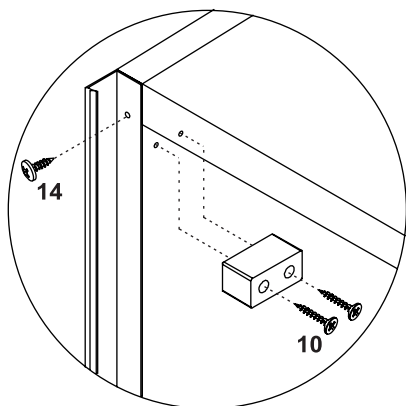


x6

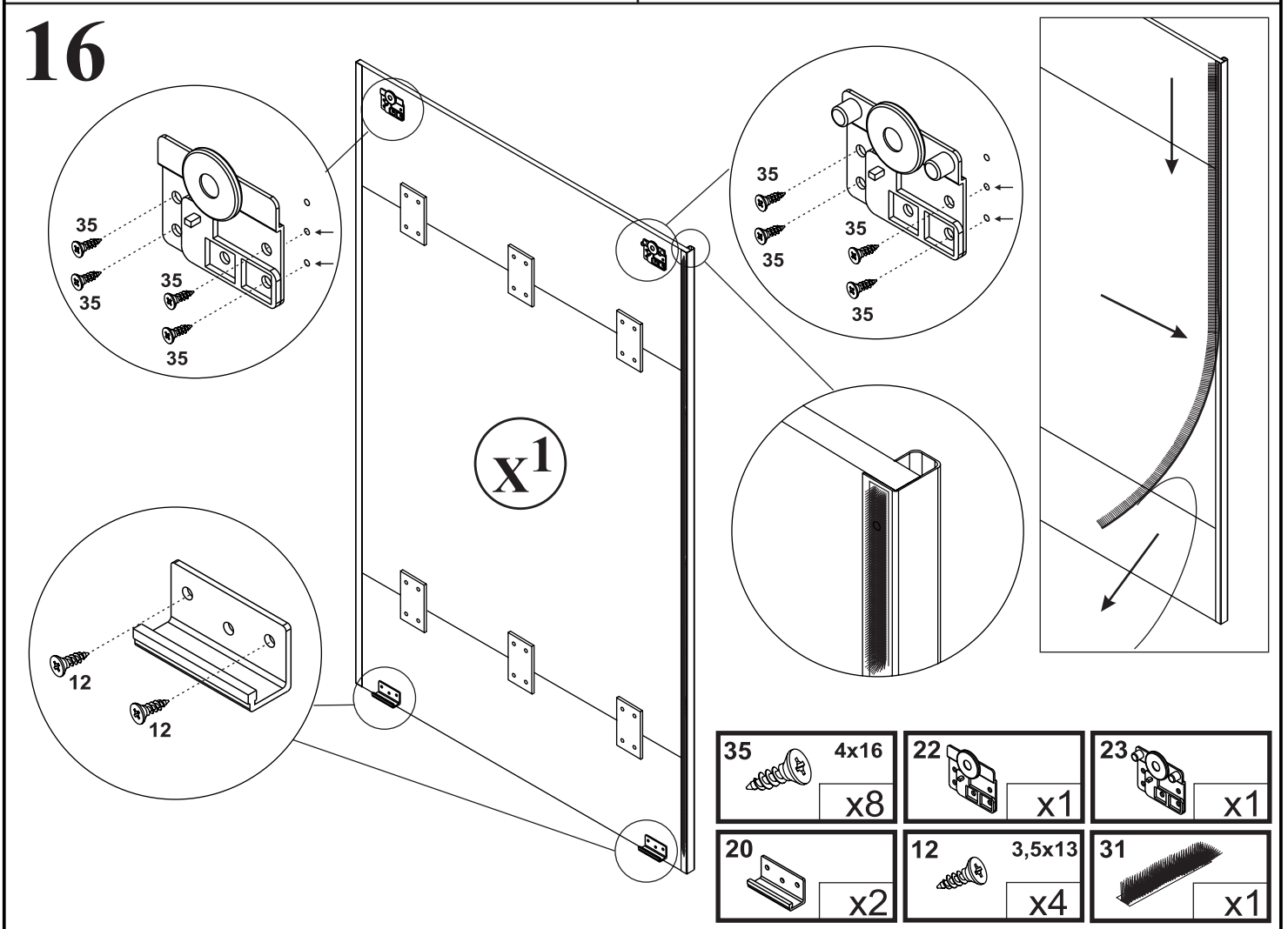
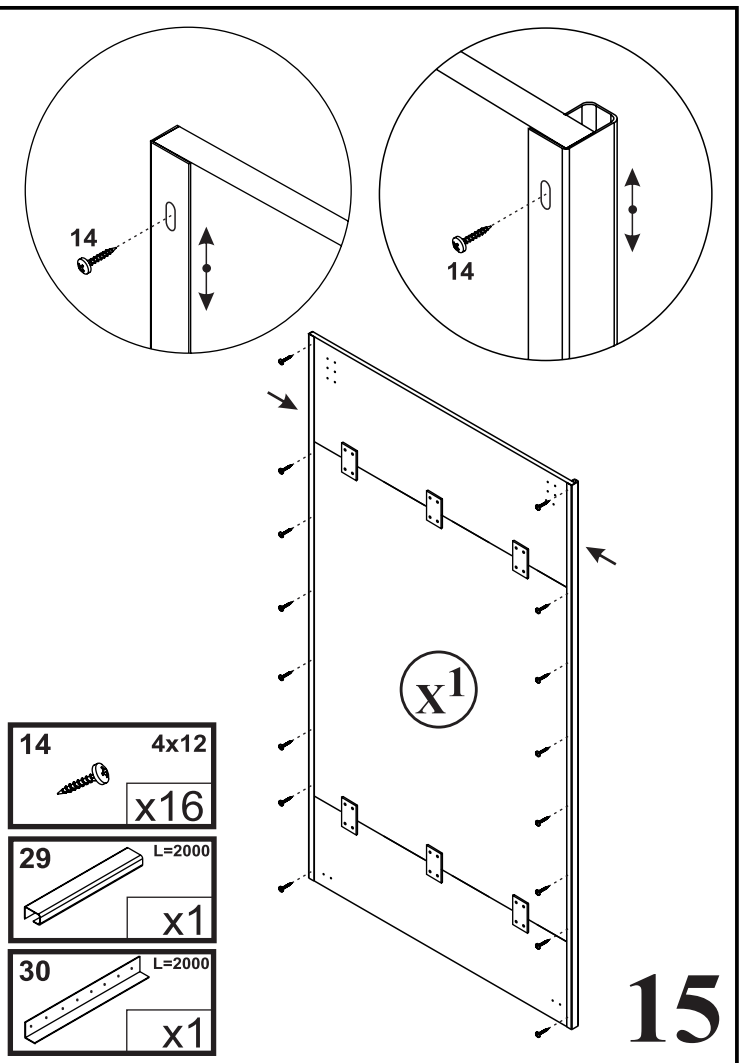
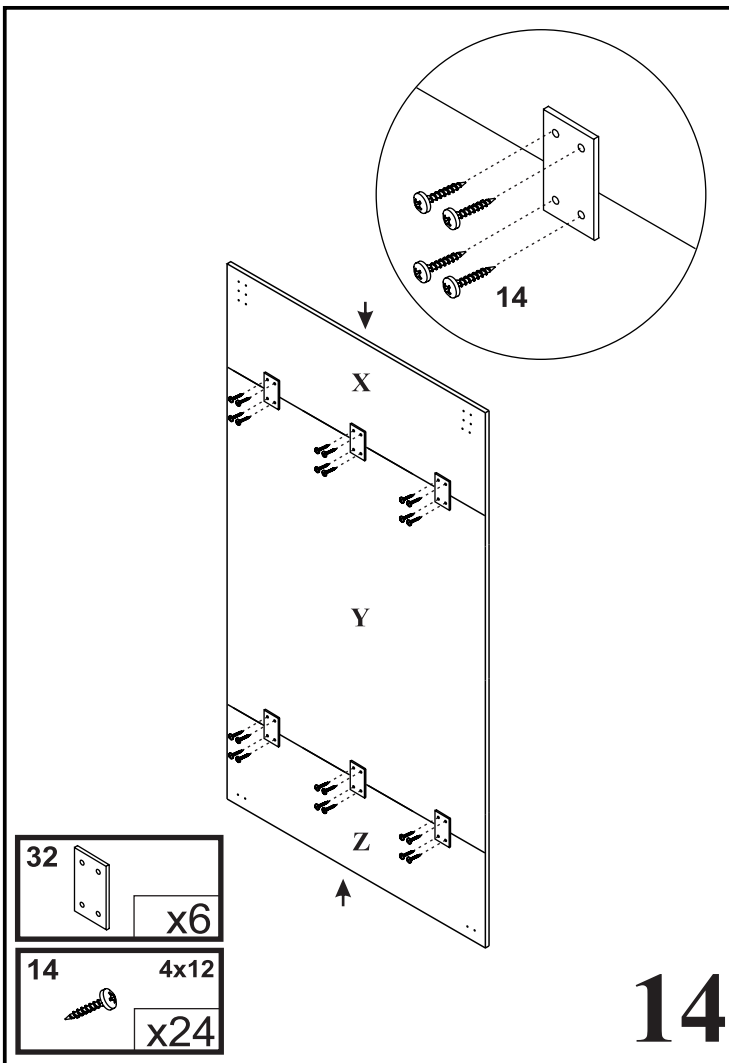


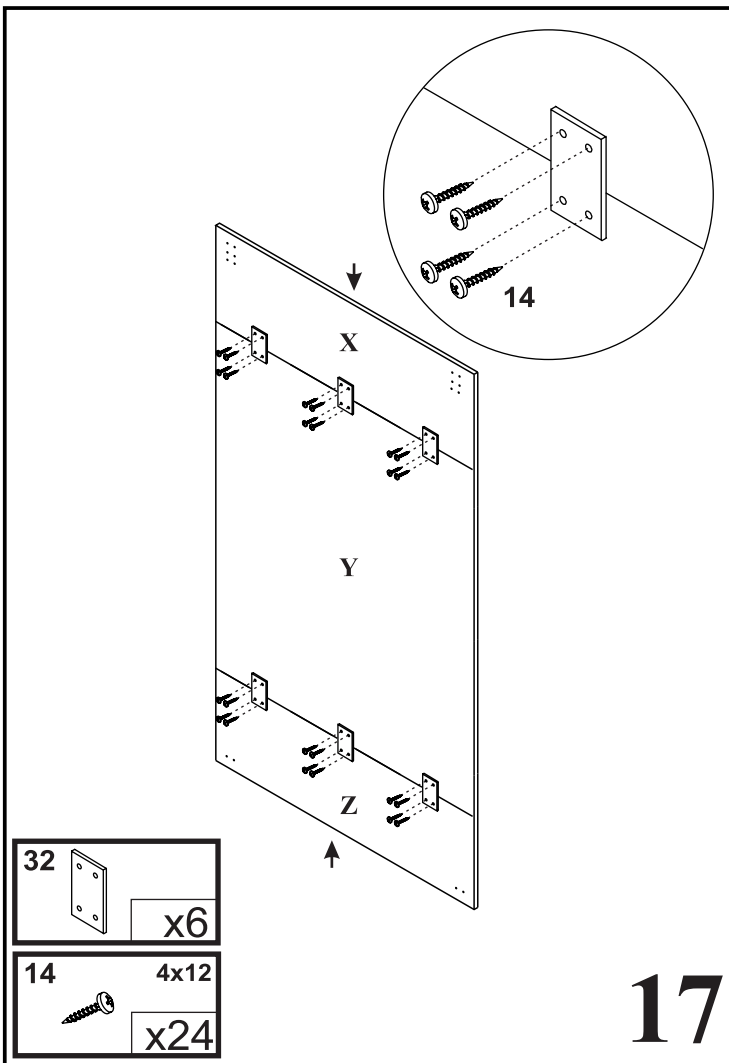


12



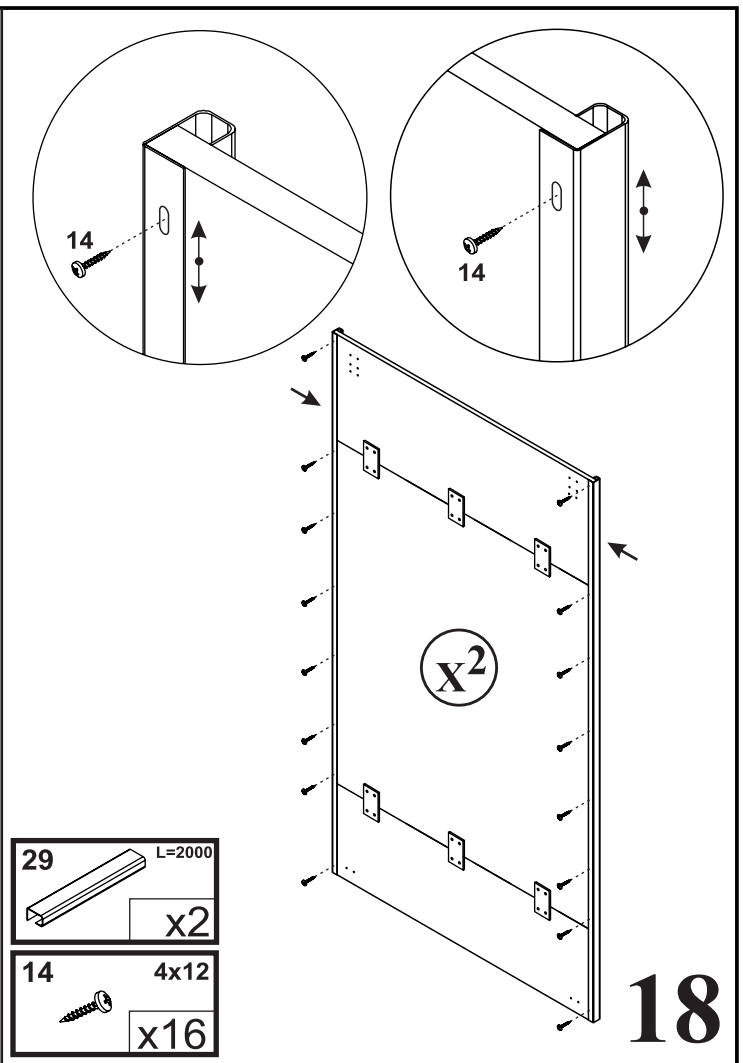
13





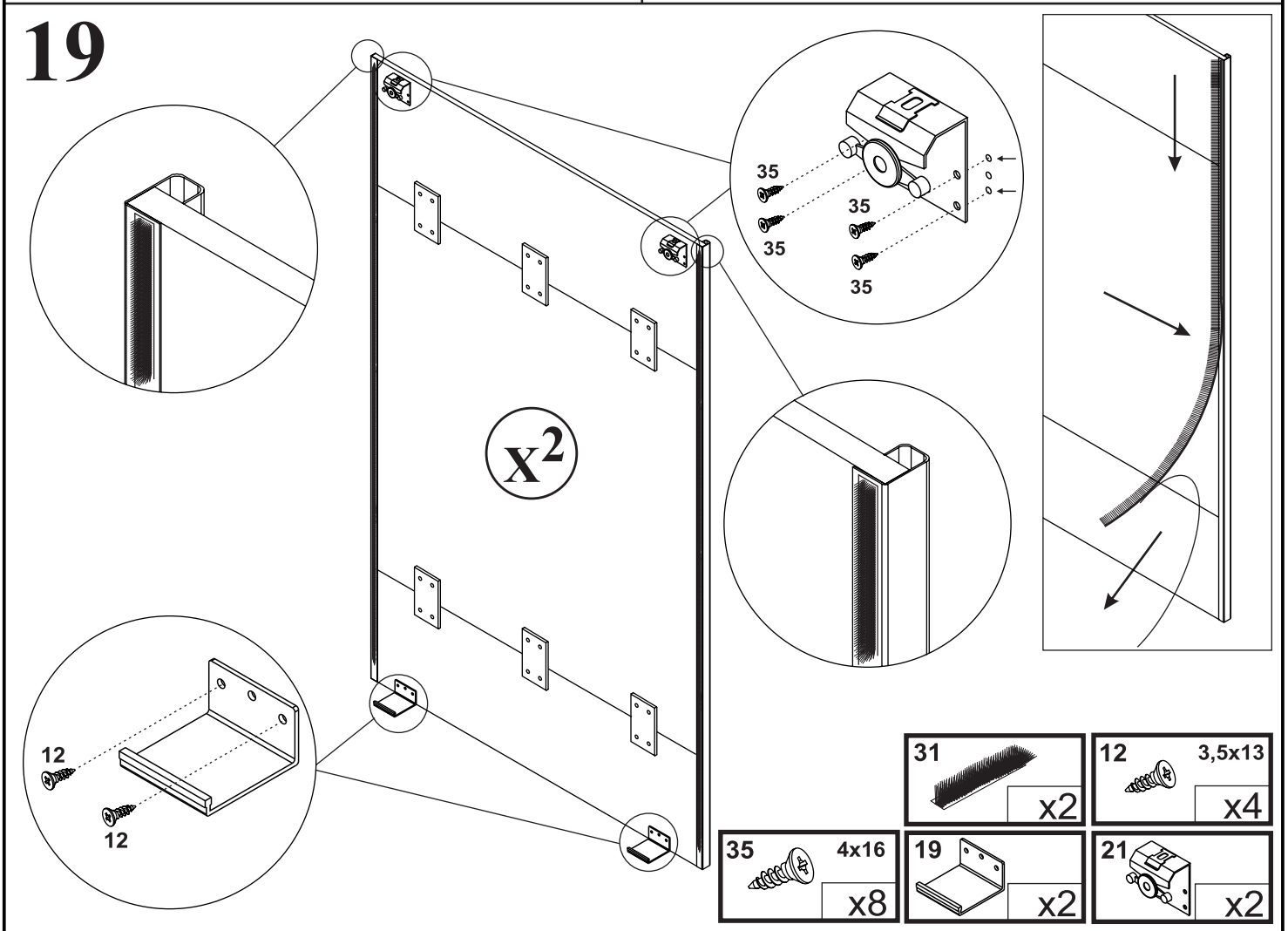
32 x6

14 4x12 x24



29 L=2000 x2

14 4x12 x16



12 x2

31 x2

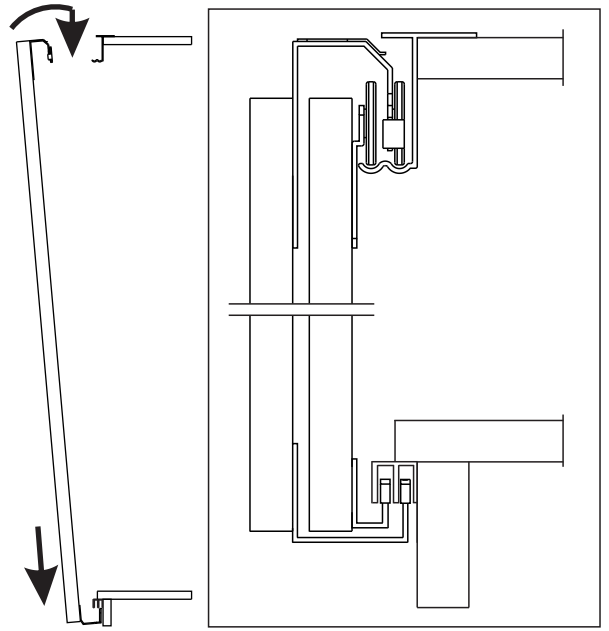
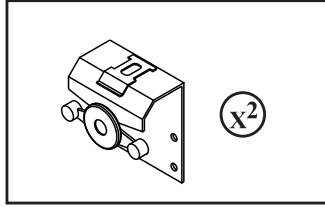
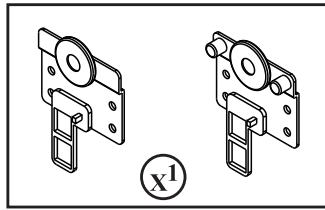
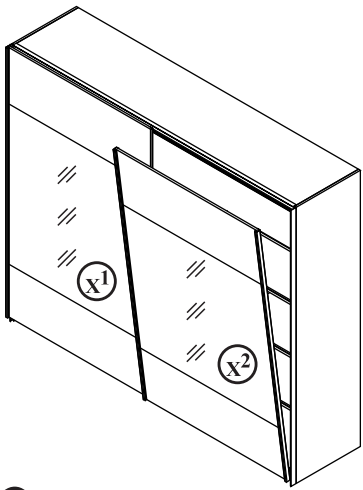
12 3,5x13 x4

35 4x16 x8

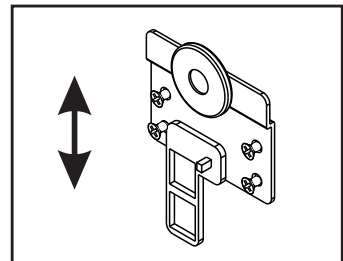
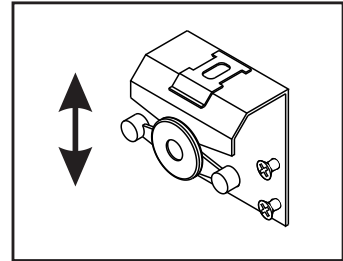
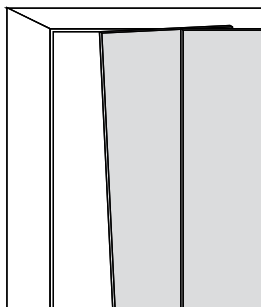
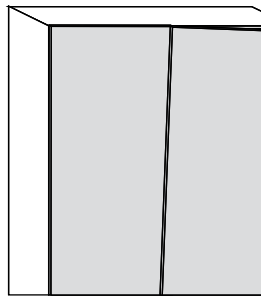
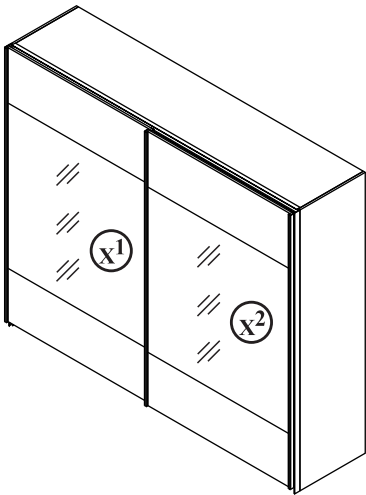
19 x2

21 x2

20



21



22

