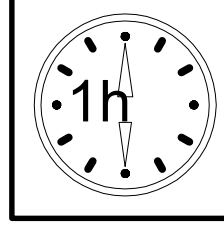
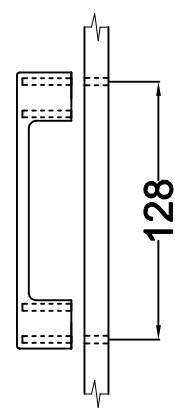
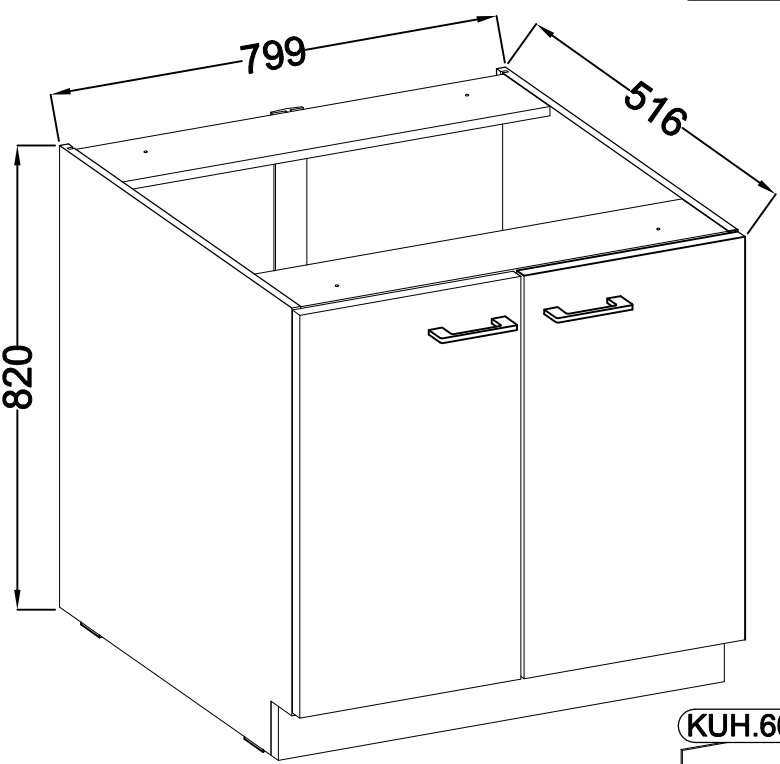
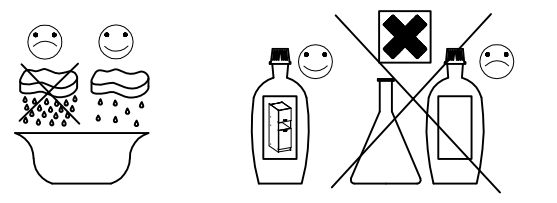
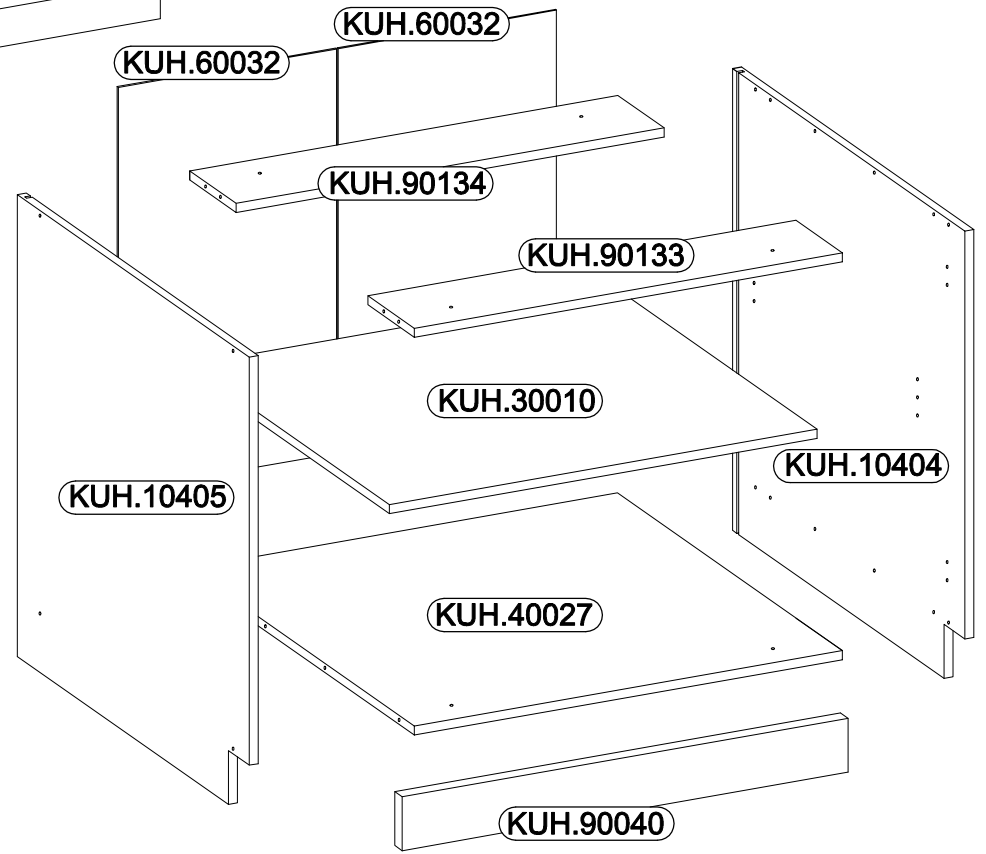
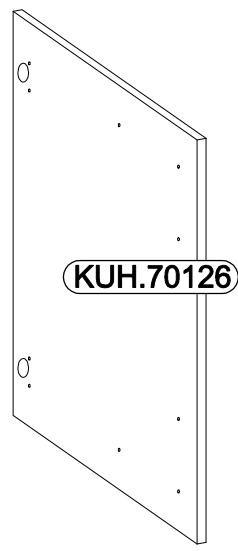
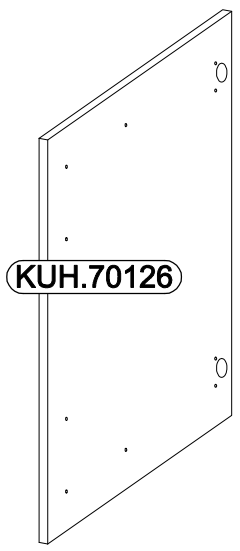


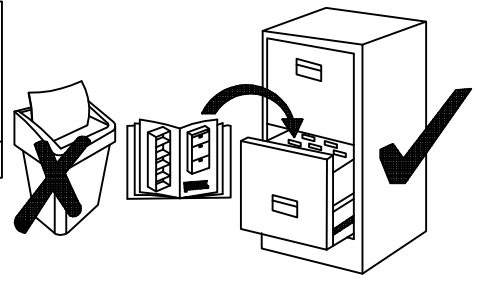
80 D 2F BB



max. 10kg
 KUH.30010
 KUH.40027

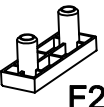
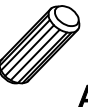


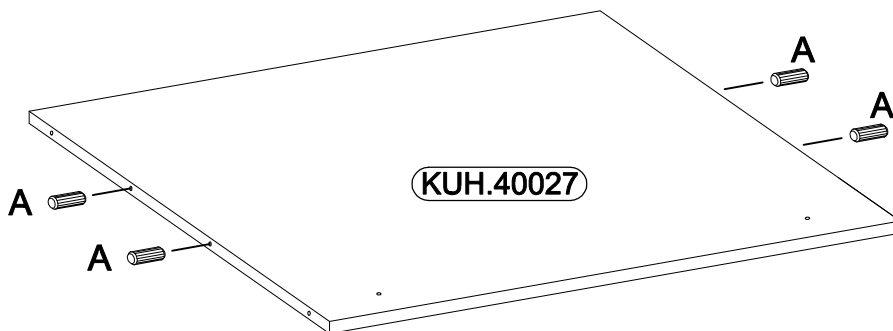
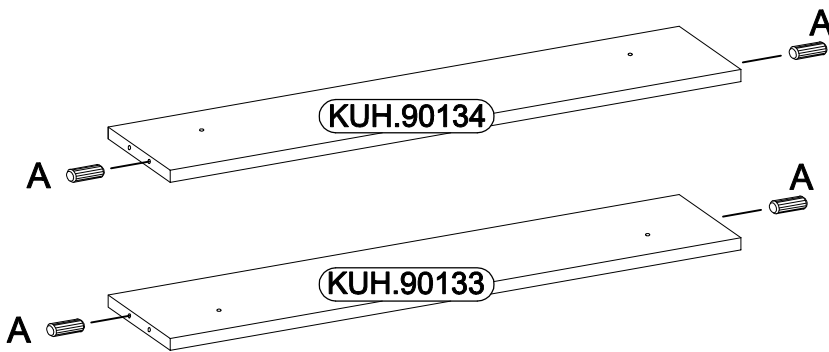
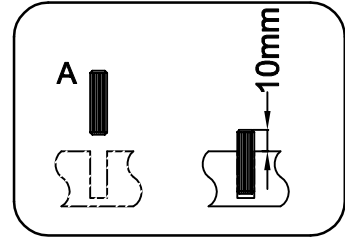
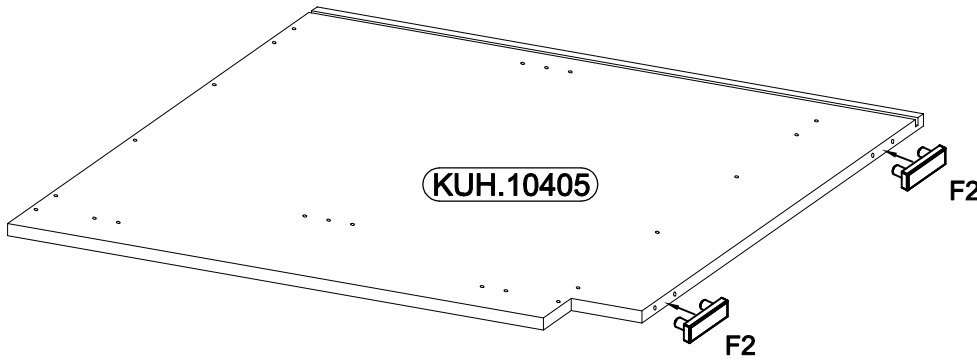
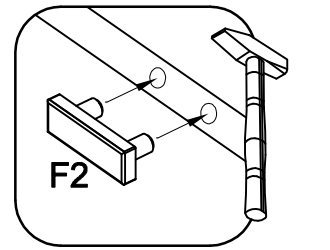
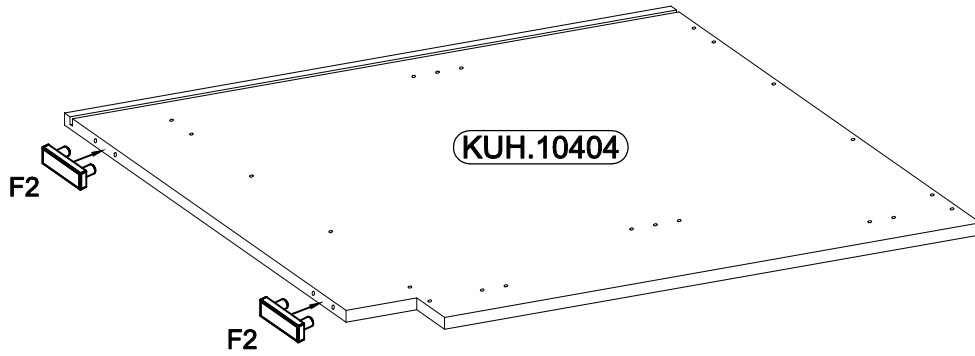
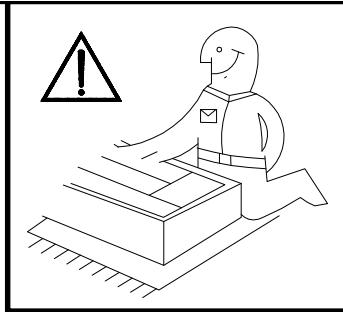
Ø8x30mm A 8	6,4 x 50mm B 8	 E1 8	 E9 2	6.5x48x16 F2 4	Ø35/0mm HG 4	Ø5/19mm J 4	L1=680mm L1 1
 O 1	Ø4.0x45mm P4 2	Ø3.5x13mm P5 8	Ø3.0x20mm P7 10-15	Ø4.0x35mm R3 4	Ø4.0x30mm R2 4	 S 2	




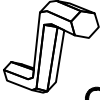

ISM-KUH-01546

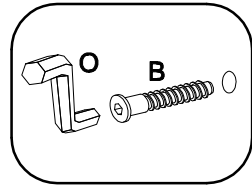
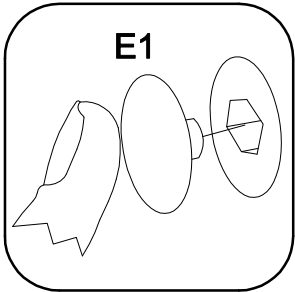
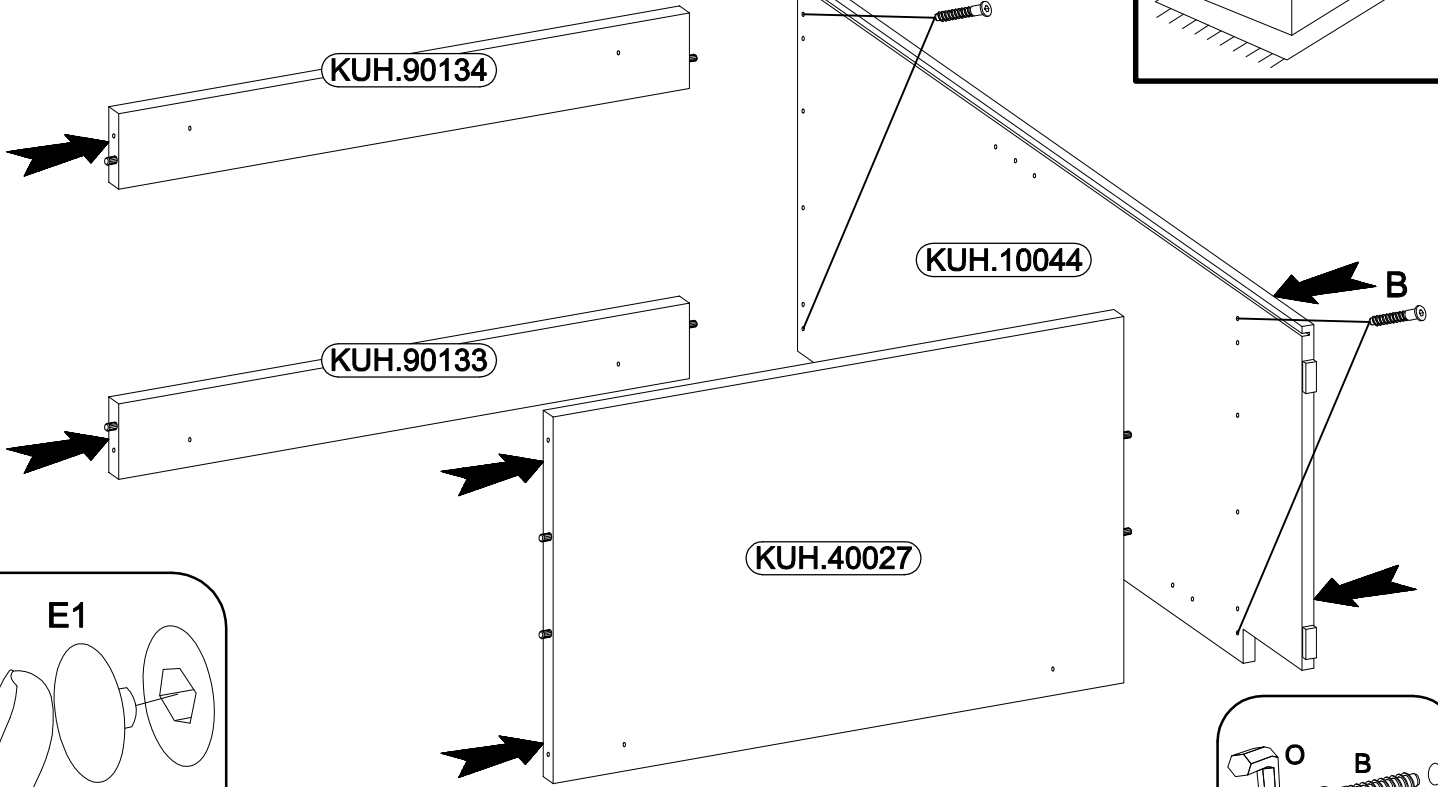
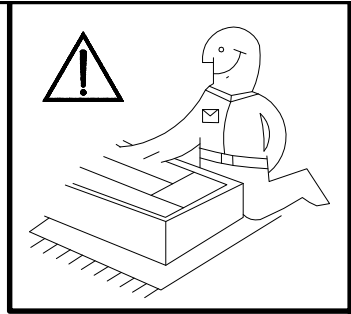
1

6.5x48x16	Ø8x30mm
 F2	 A
4	8


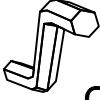



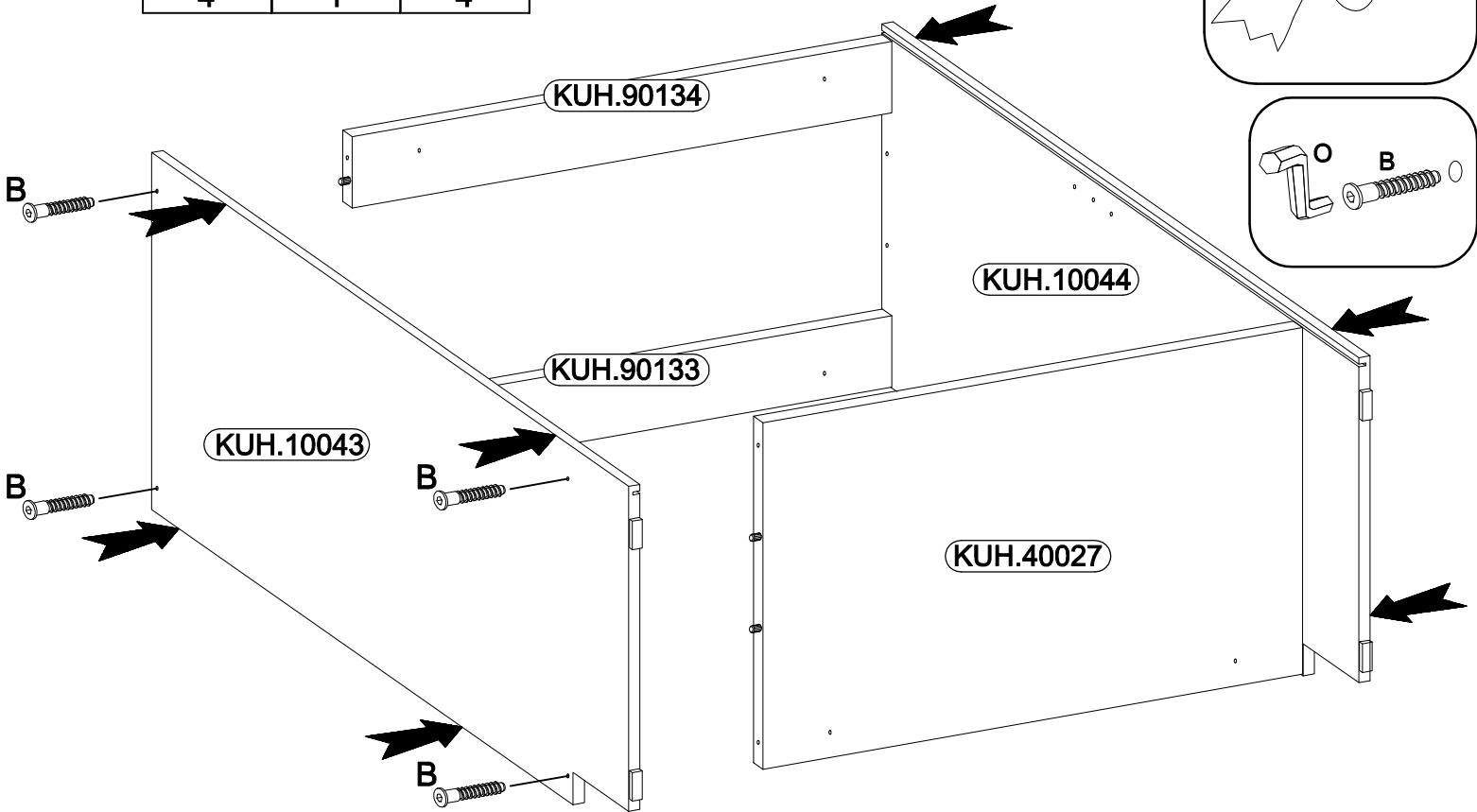
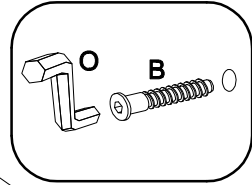
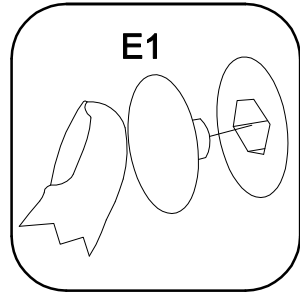
2

6,4 x 50mm		
		
B	O	E1
4	1	4

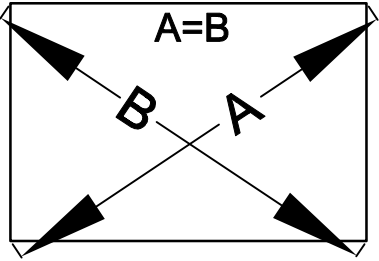
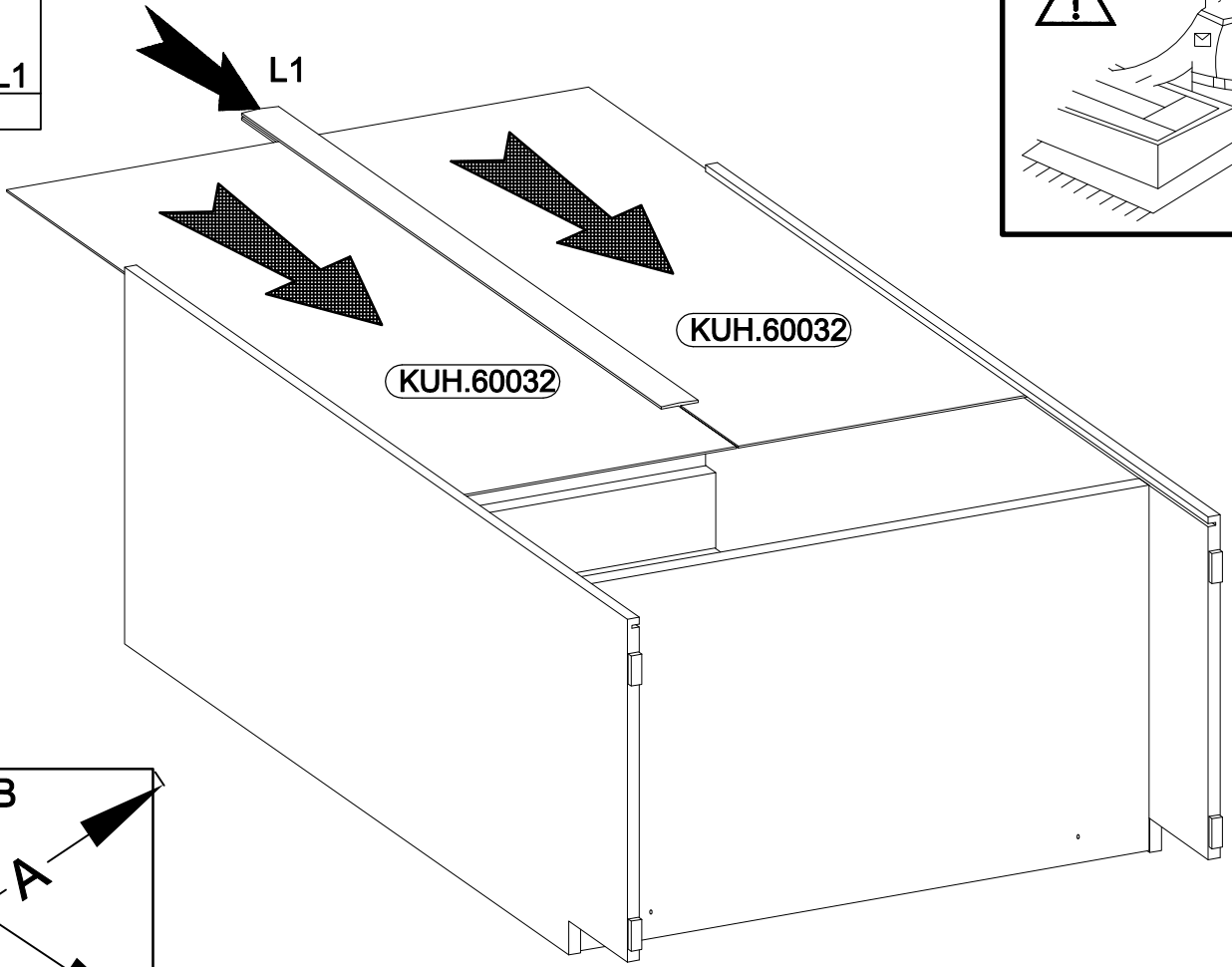
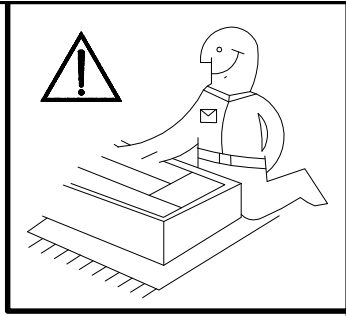
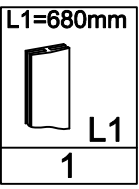


3

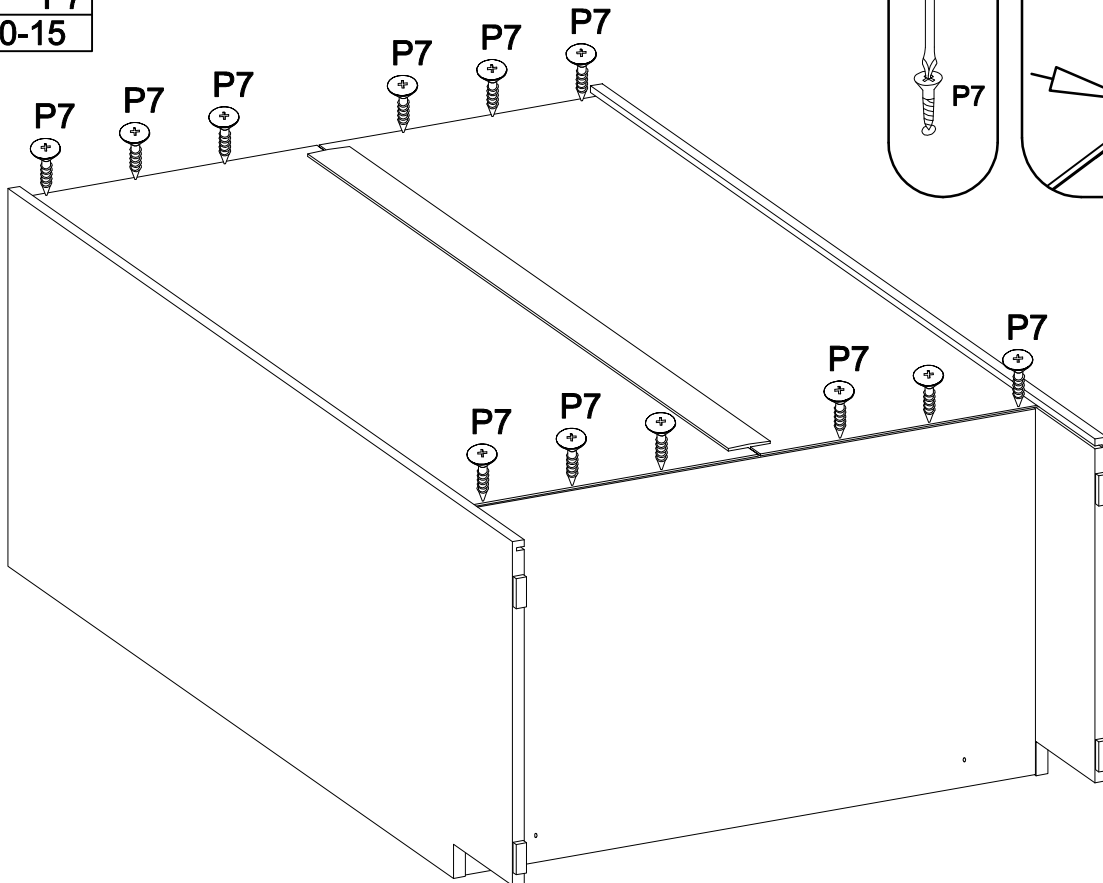
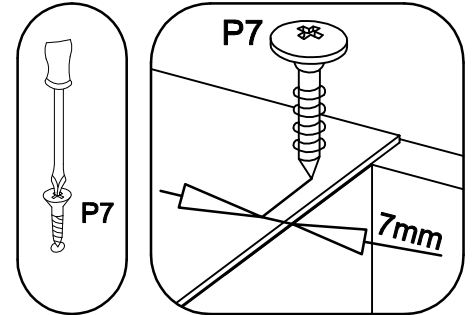
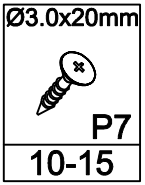
6,4 x 50mm		
		
B	O	E1
4	1	4





4

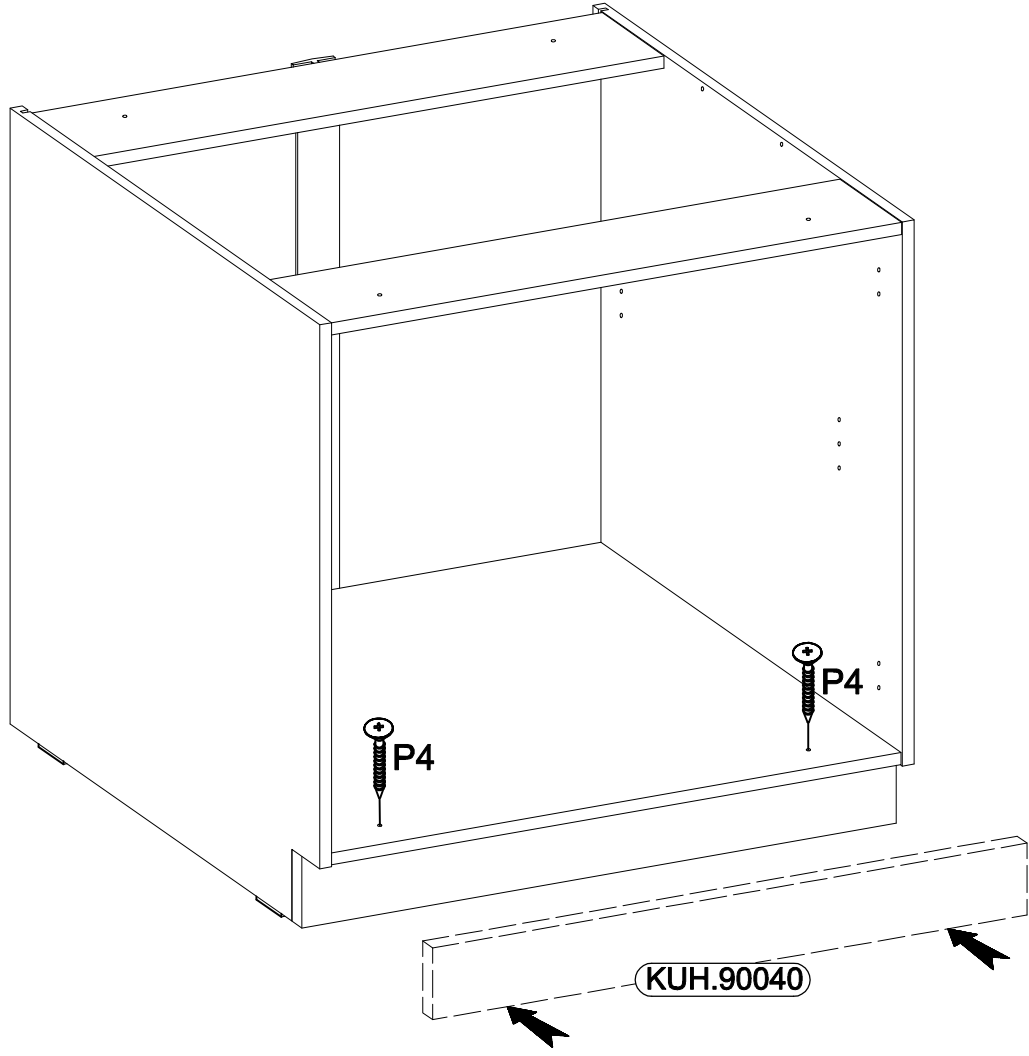
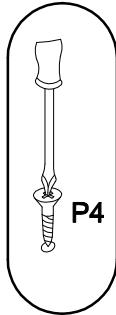
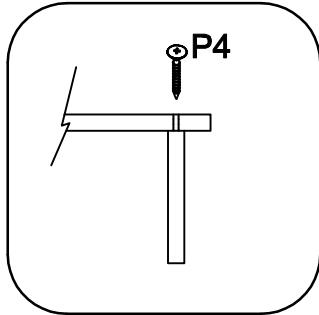


5




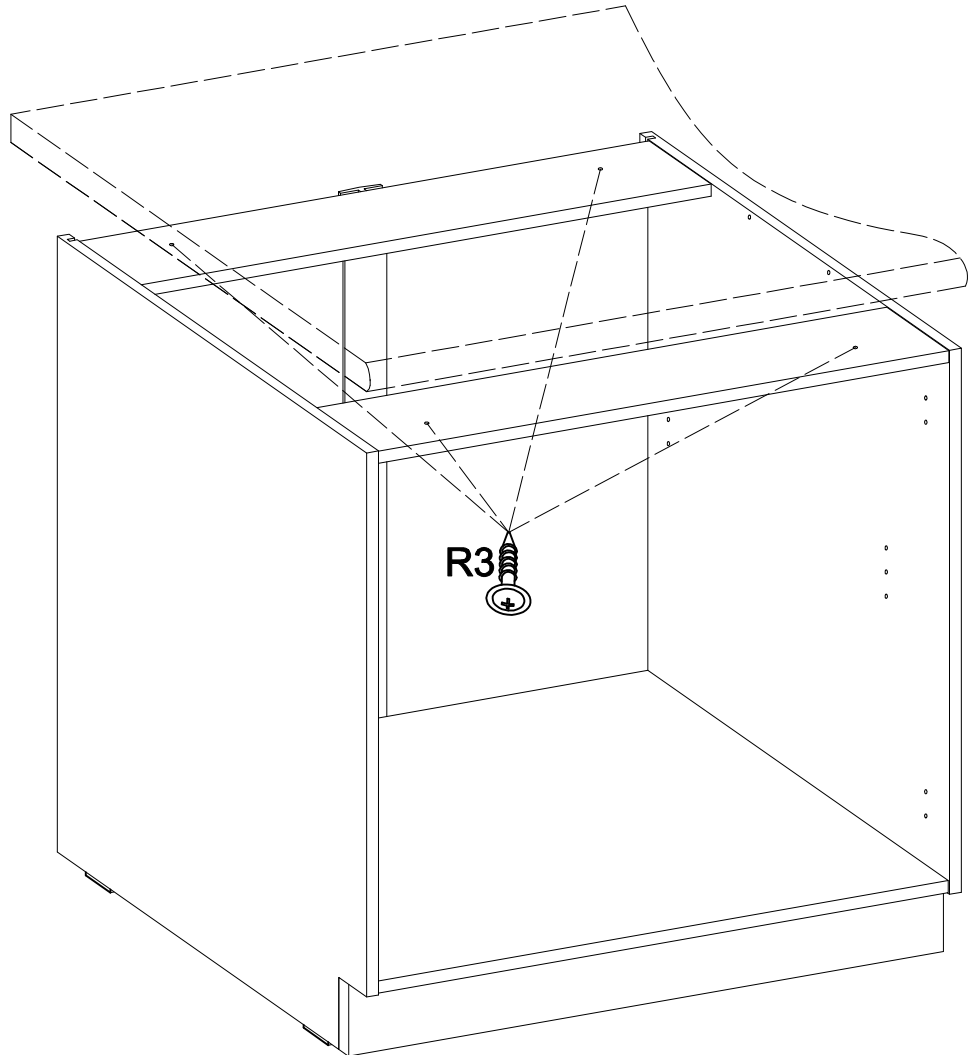
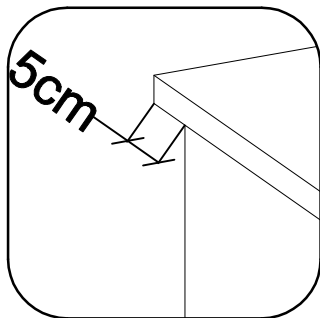
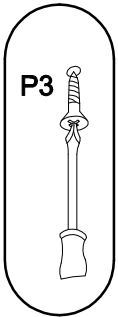
6

Ø4.0x45mm	
	
P4	E9
2	2



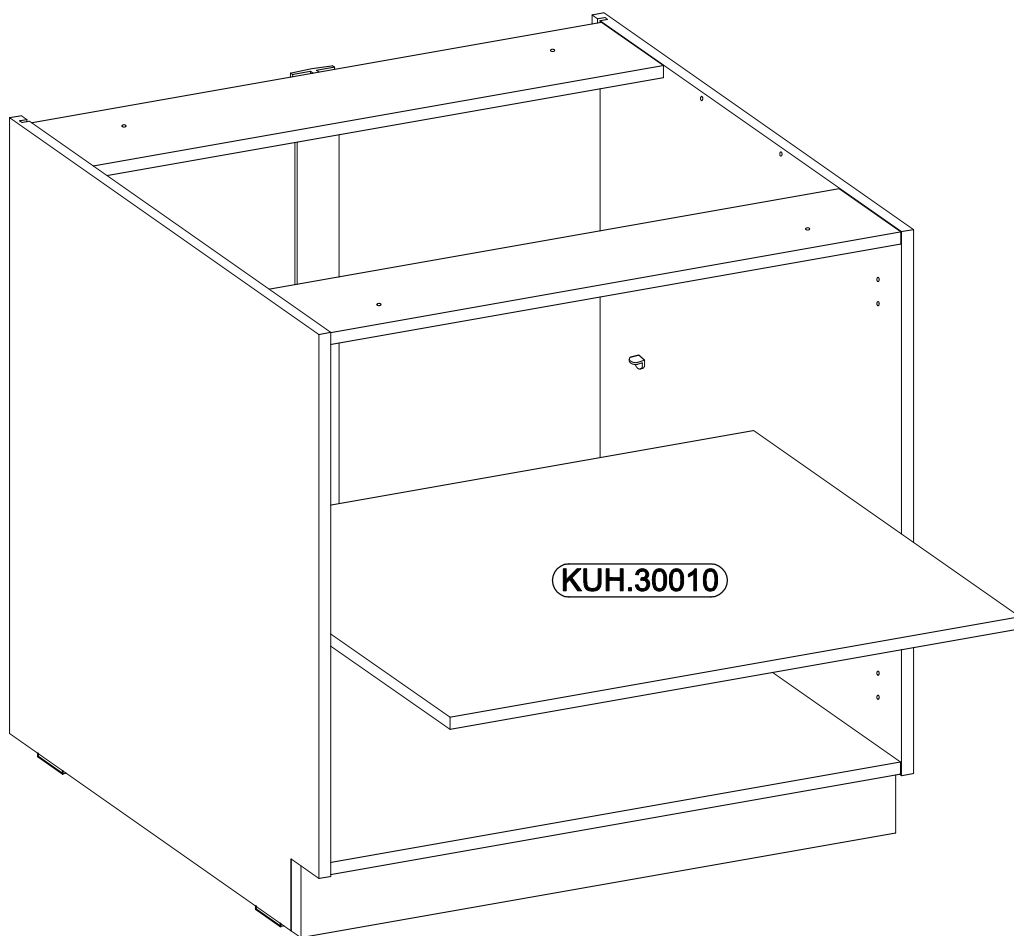
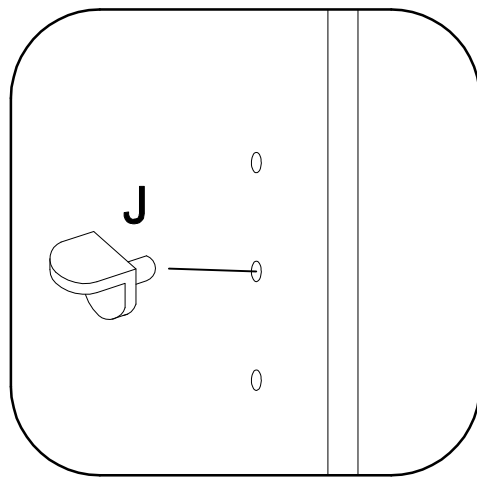
7

Ø4.0x35mm	
	R3
4	

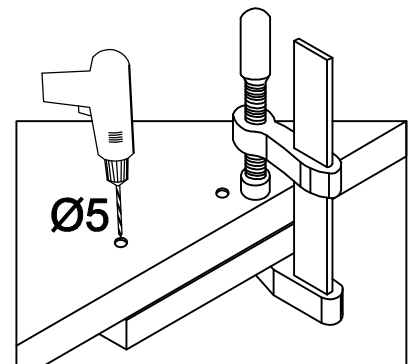
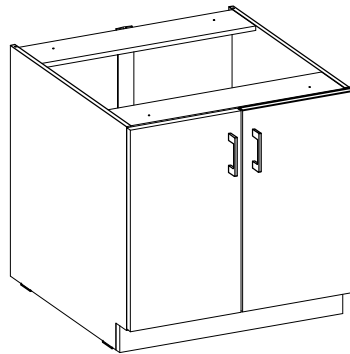
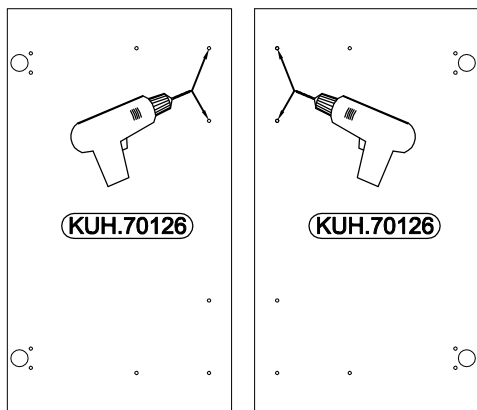
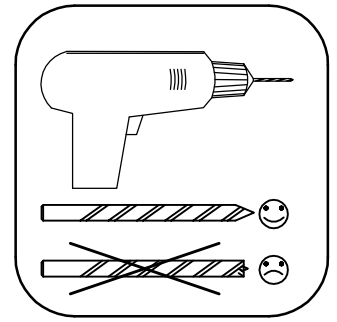
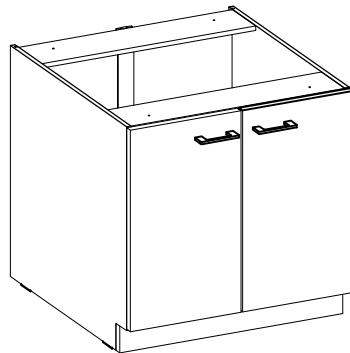
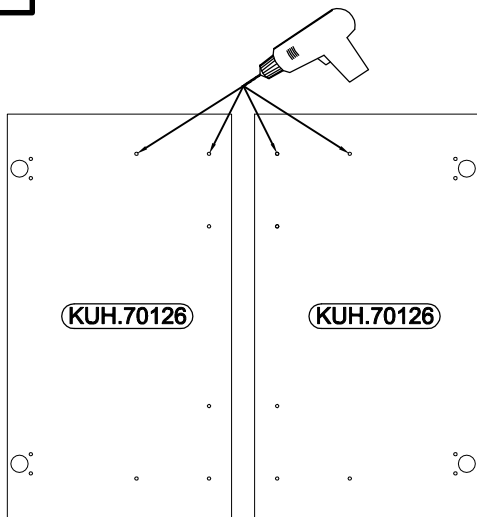


8

Ø5/19mm
J
4

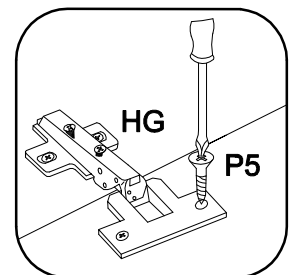
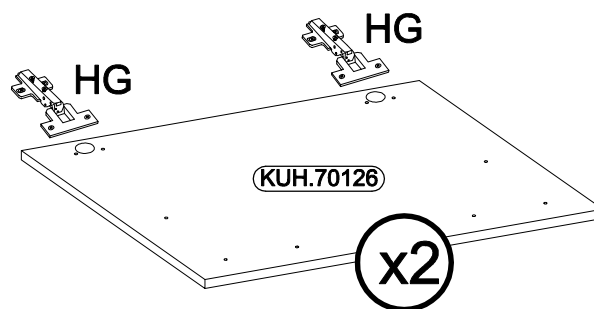




9



10

Ø35/0mm [CD] HG 2	Ø3.5x13mm P5 4
-------------------------	----------------------



Ø4.0x30mm	
	
R2	S
4	2

