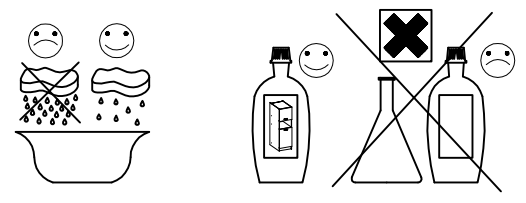
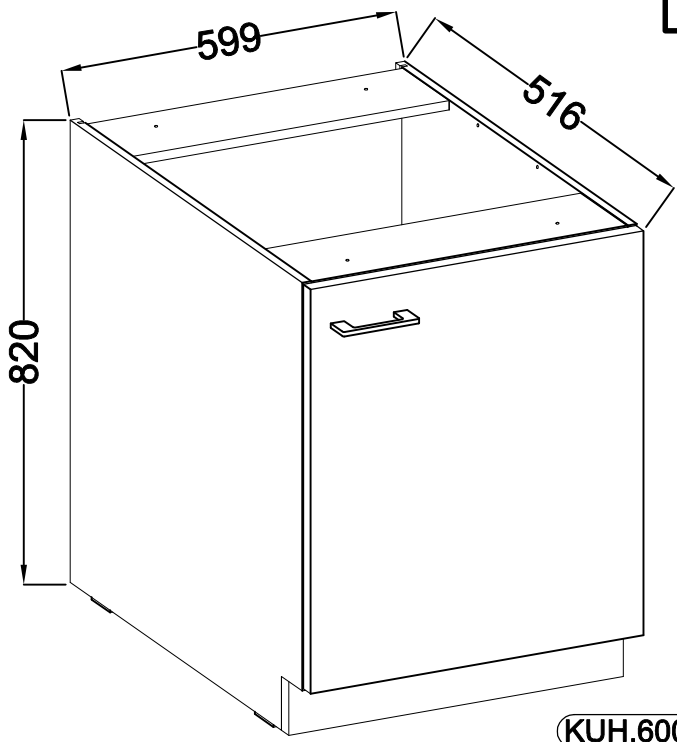
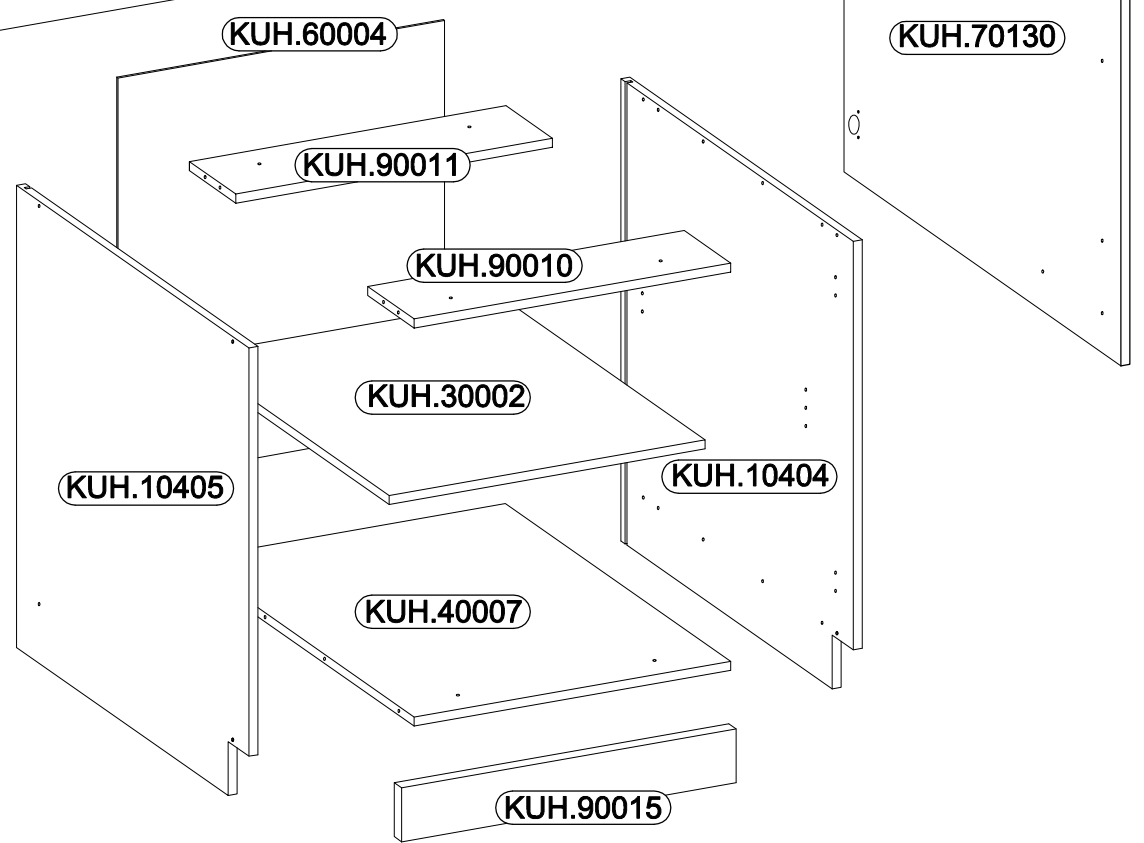
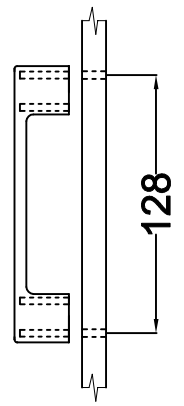
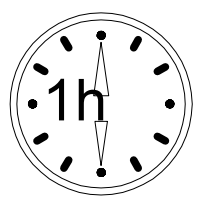


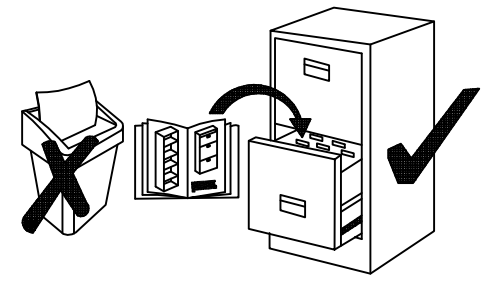
60 D 1F BB



KUH.30002
KUH.40007

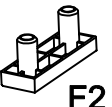
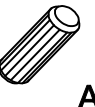


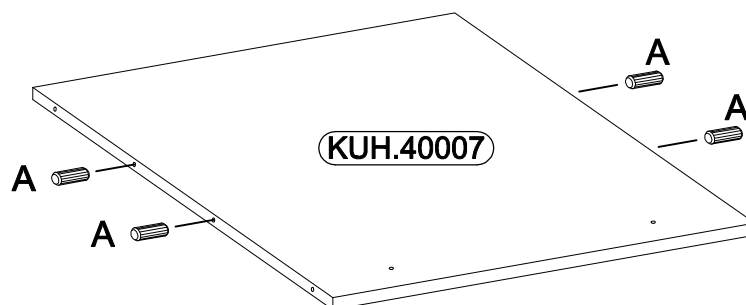
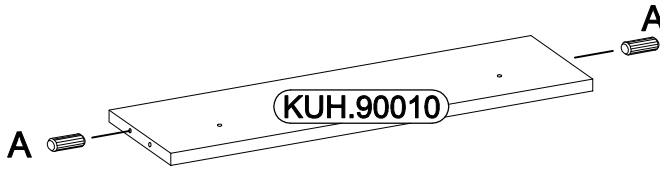
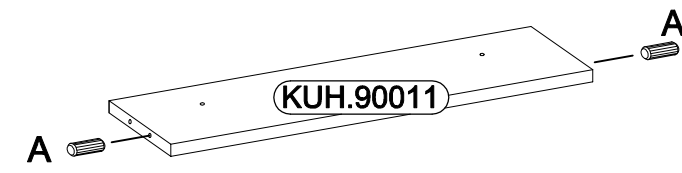
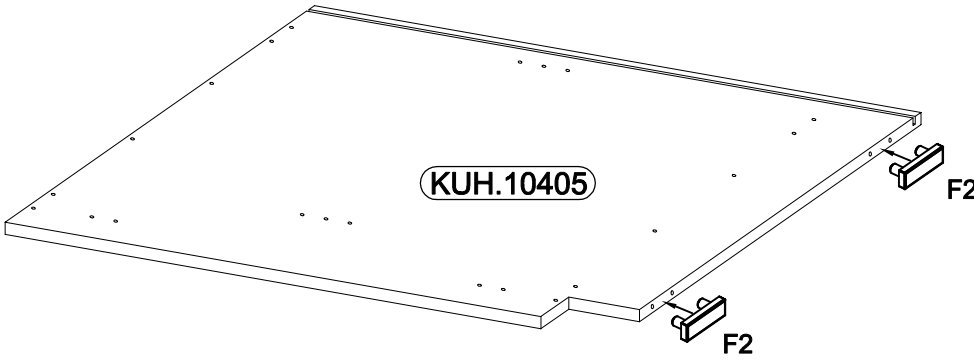
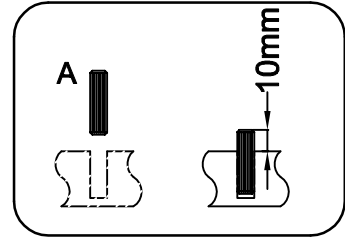
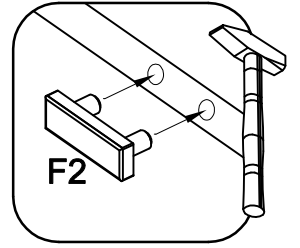
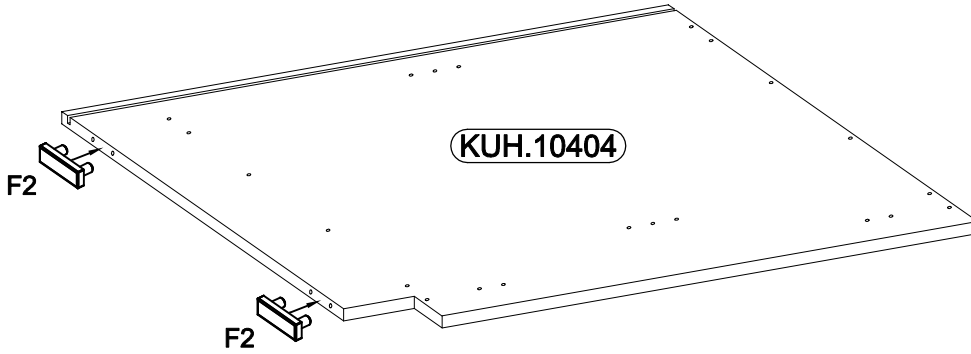
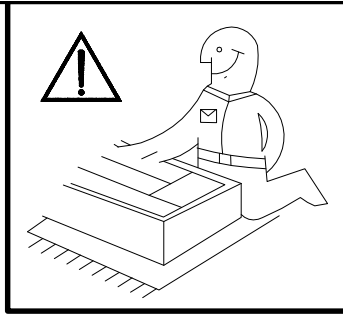
Ø8x30mm	6,4 x 50mm			6.5x48x16	Ø35/0mm	Ø5/19mm
8	8	8	2	4	2	4
1	2	4	8-10	4	2	1




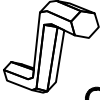

ISM-KUH-01540

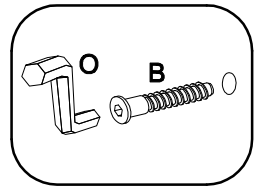
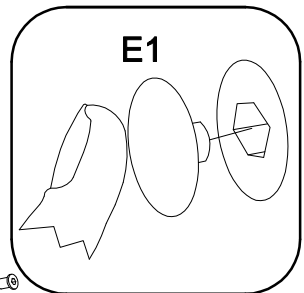
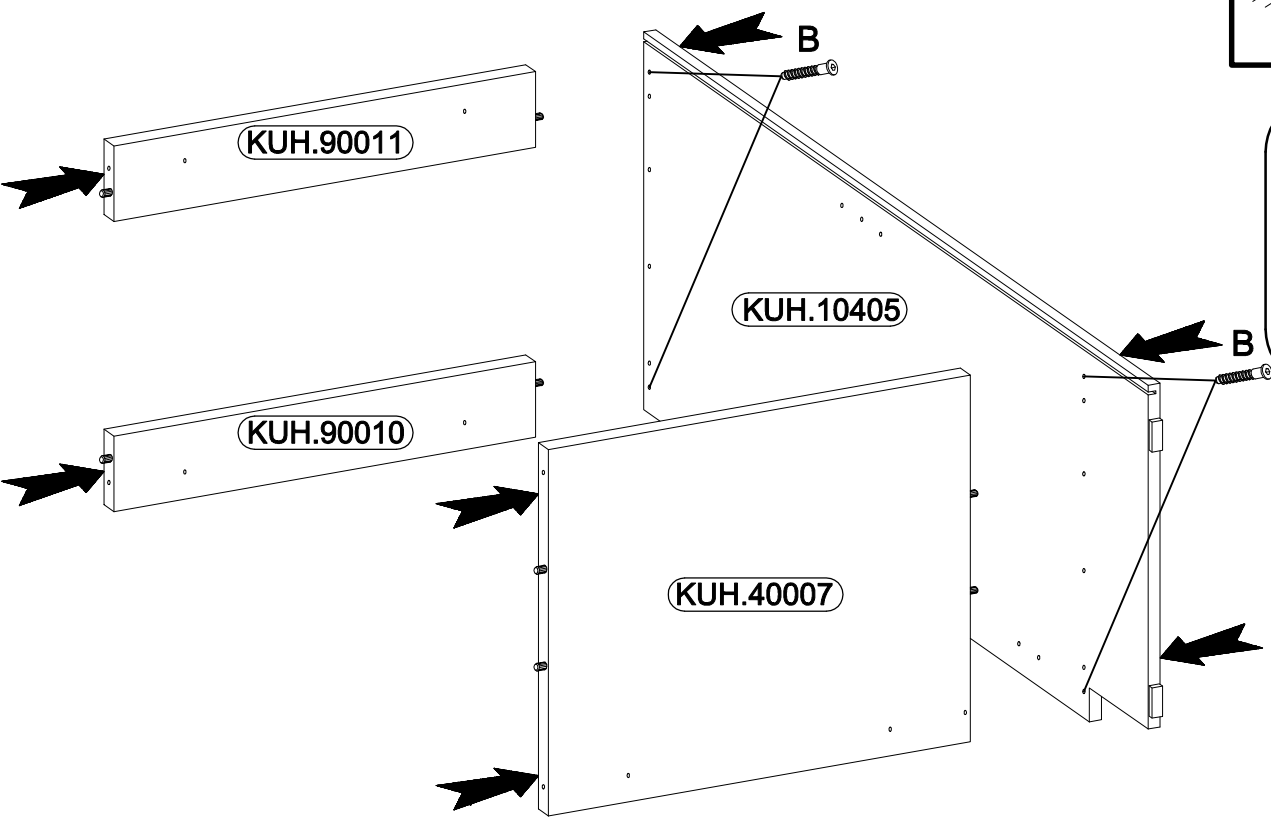
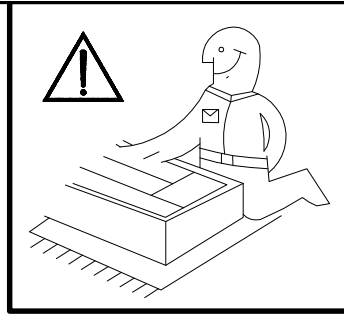
1

6.5x48x16  F2 4	Ø8x30mm  A 8
--	---






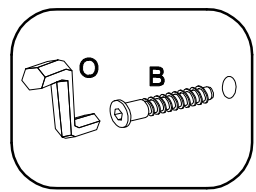
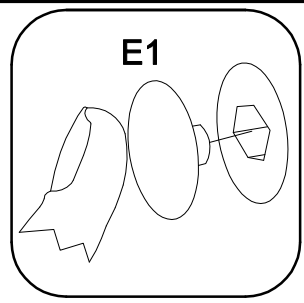
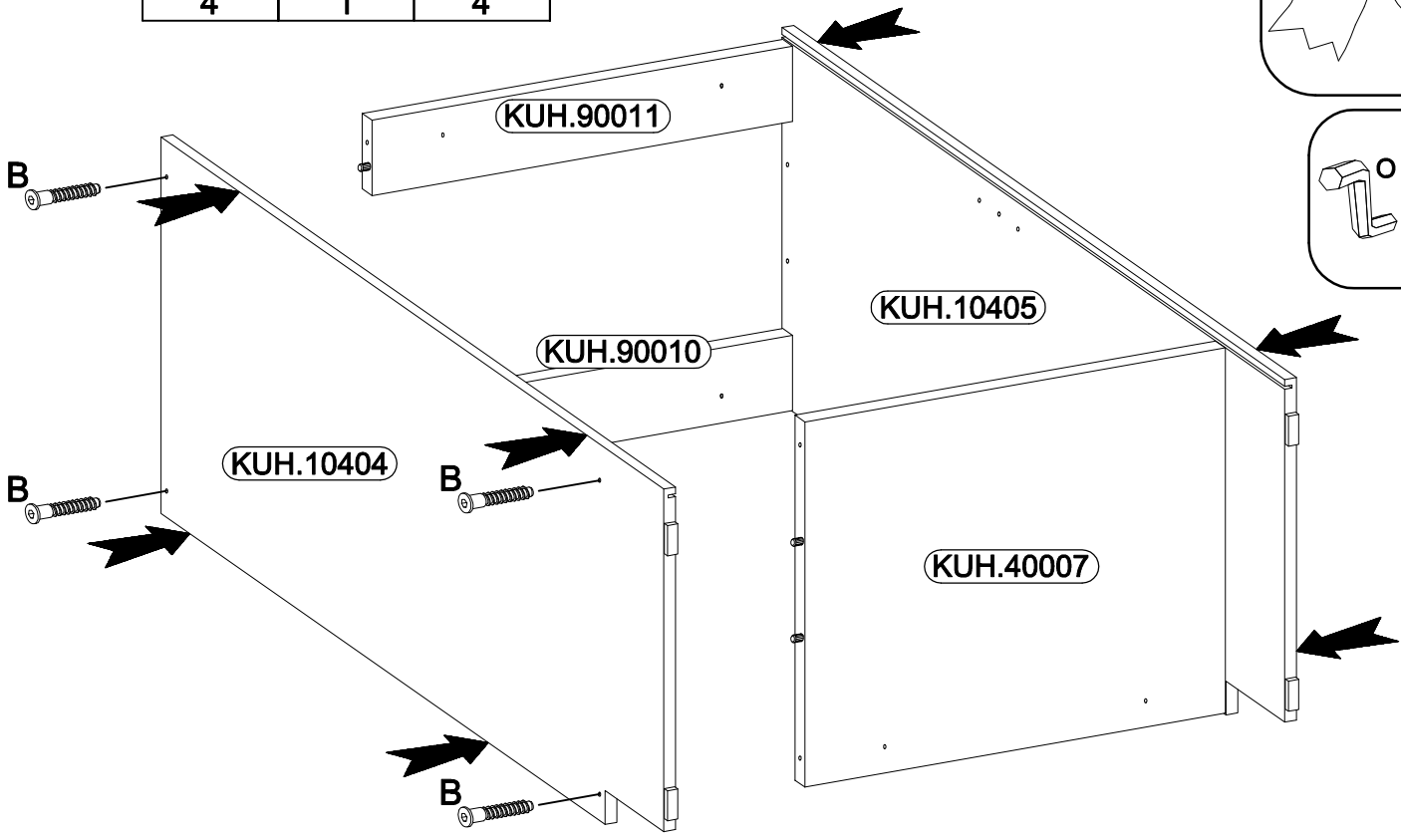
2

6,4 x 50mm		
		
B	O	E1
4	1	4

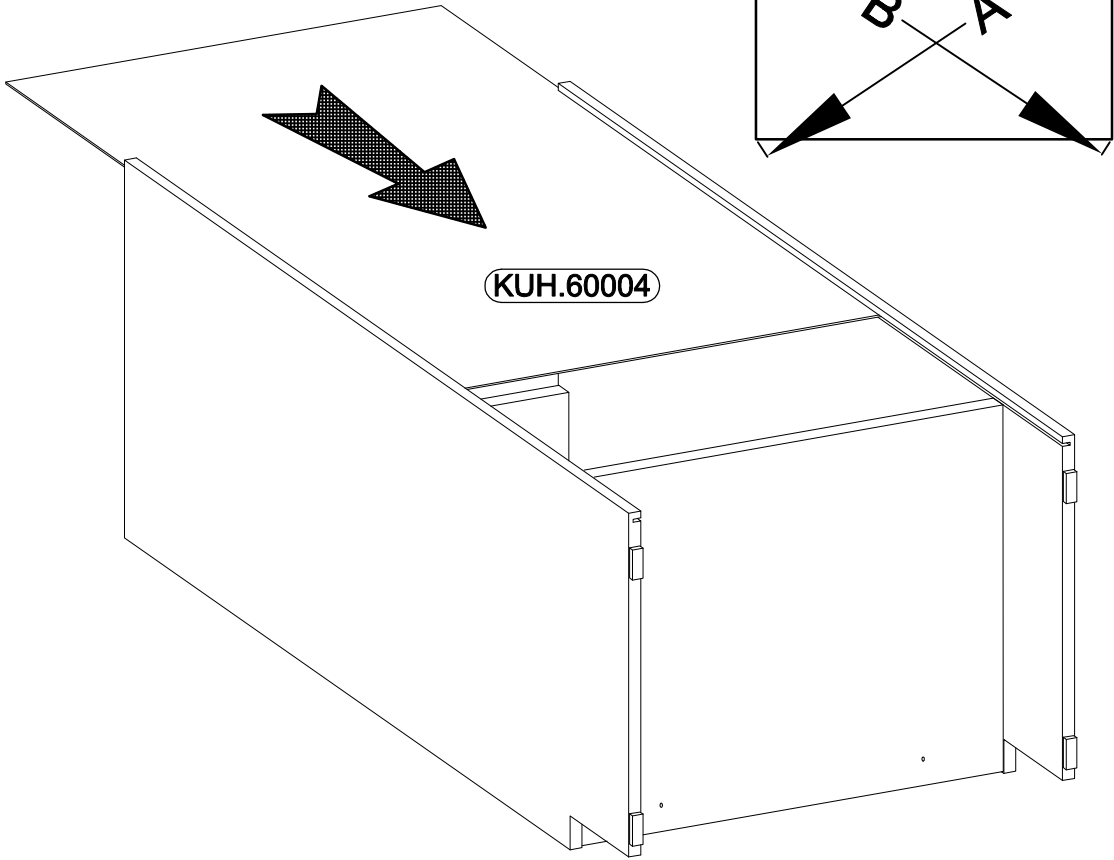


3

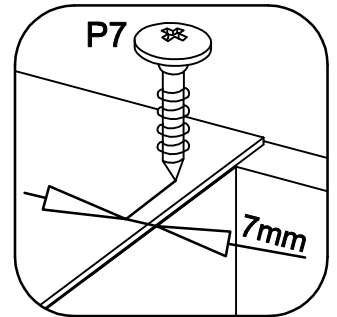
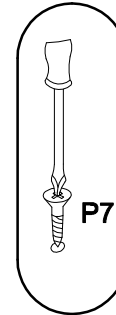
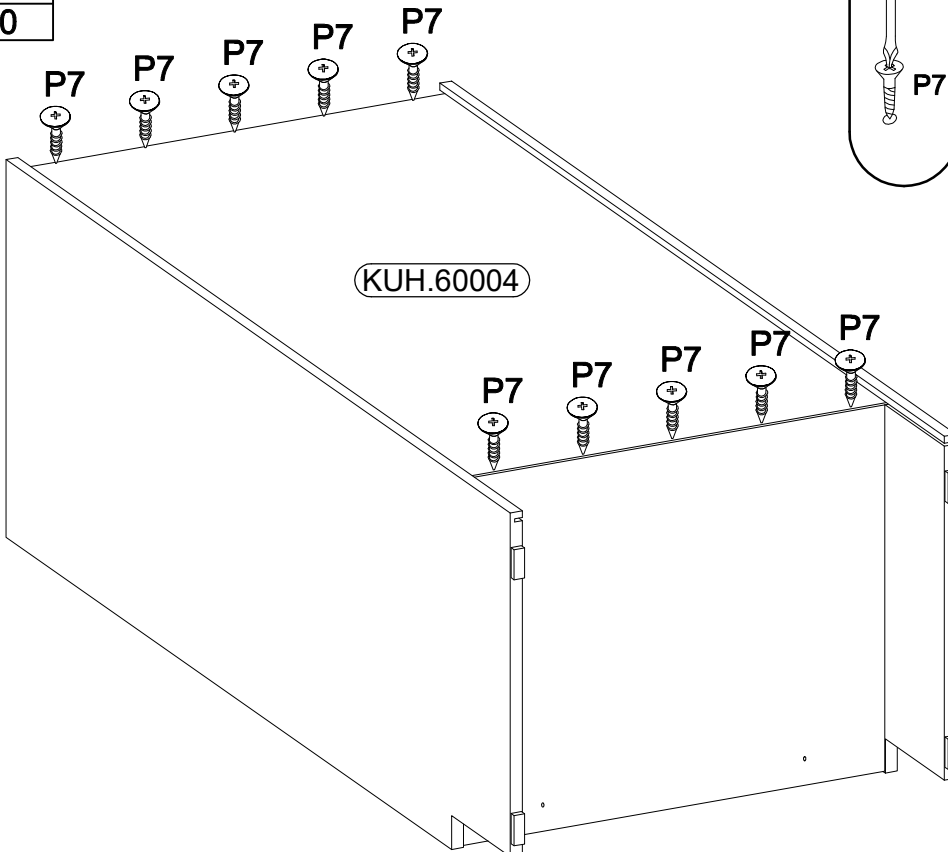
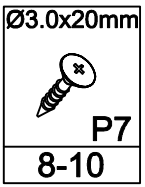
6,4 x 50mm		
		
B	O	E1
4	1	4





4

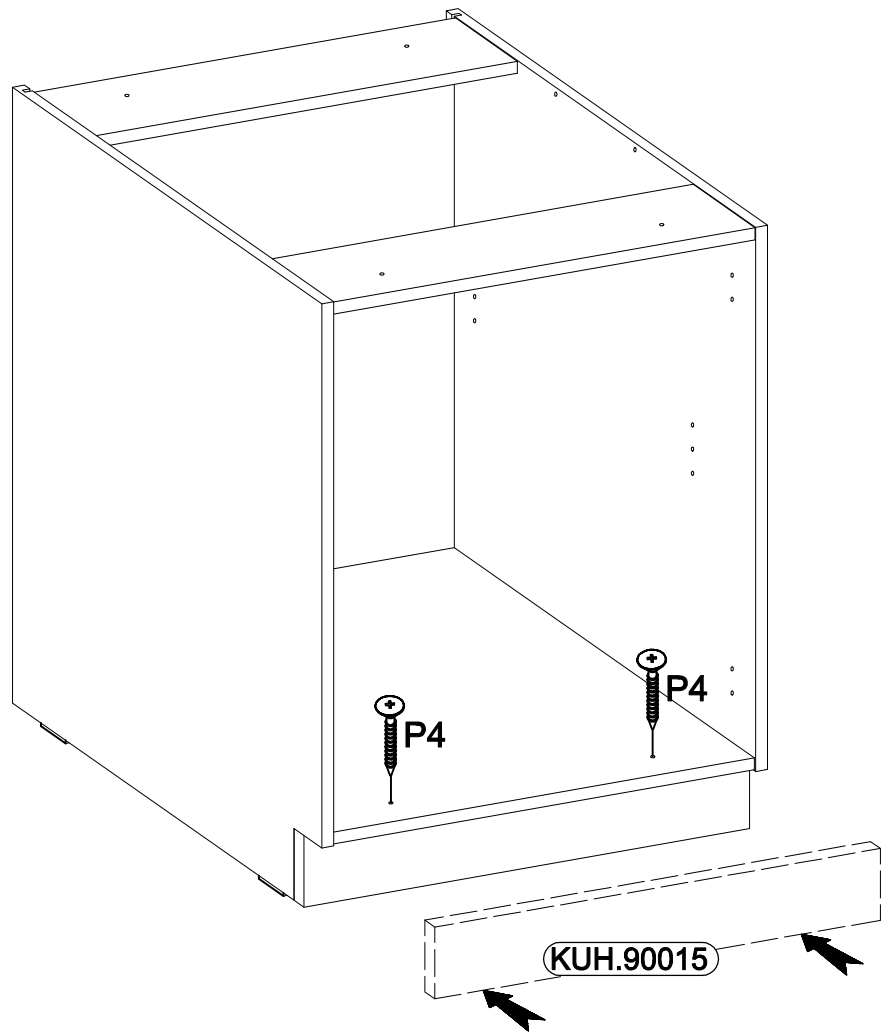
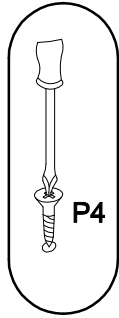
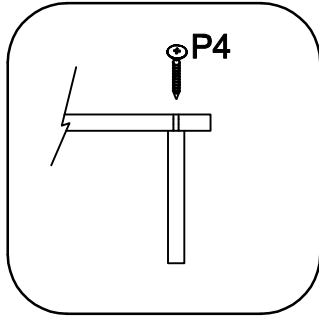


5




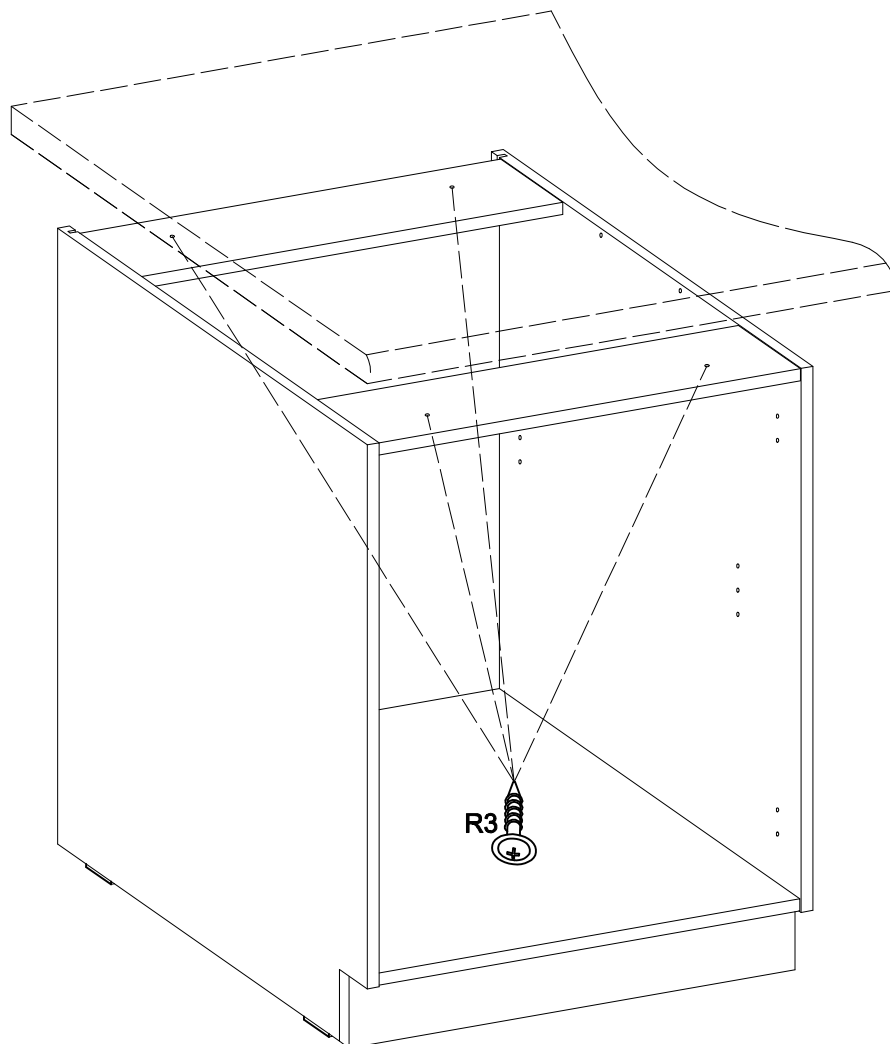
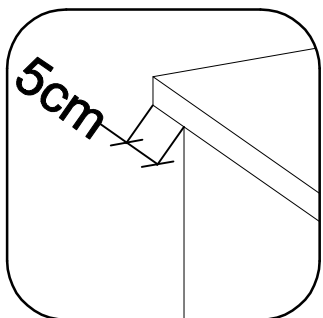
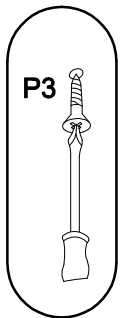
6

Ø4.0x45mm	
	
P4	E9
2	2




7

Ø4.0x35mm	
	R3
4	



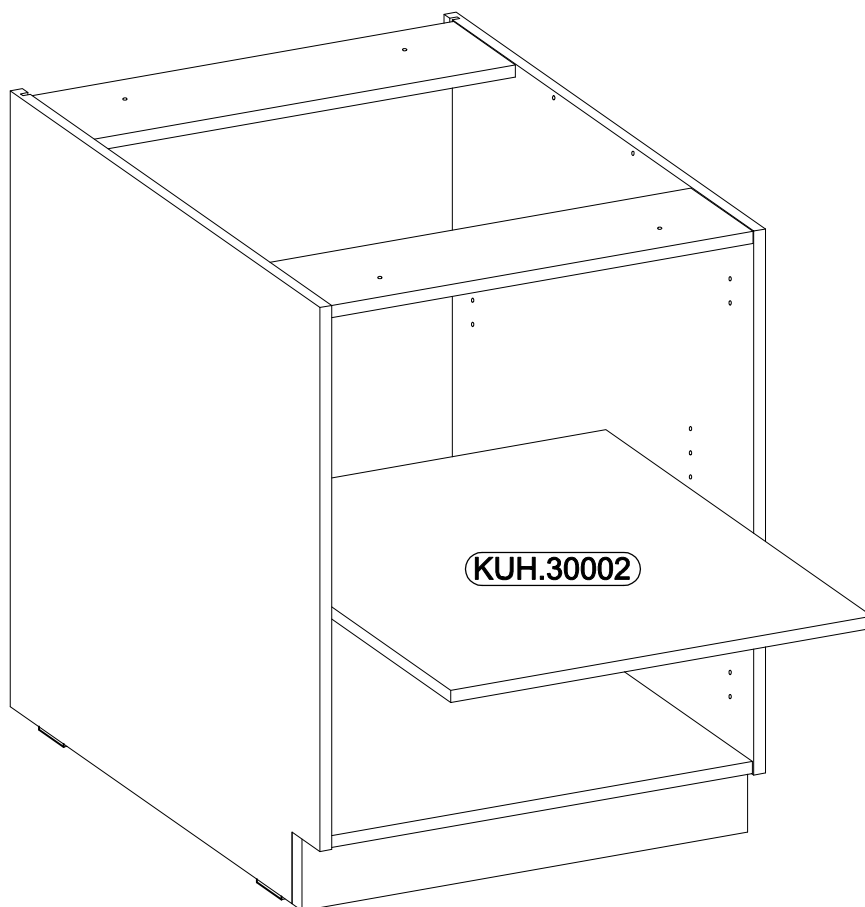
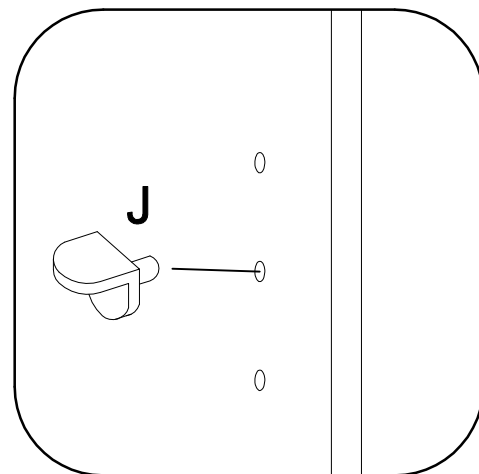
8

Ø5/19mm

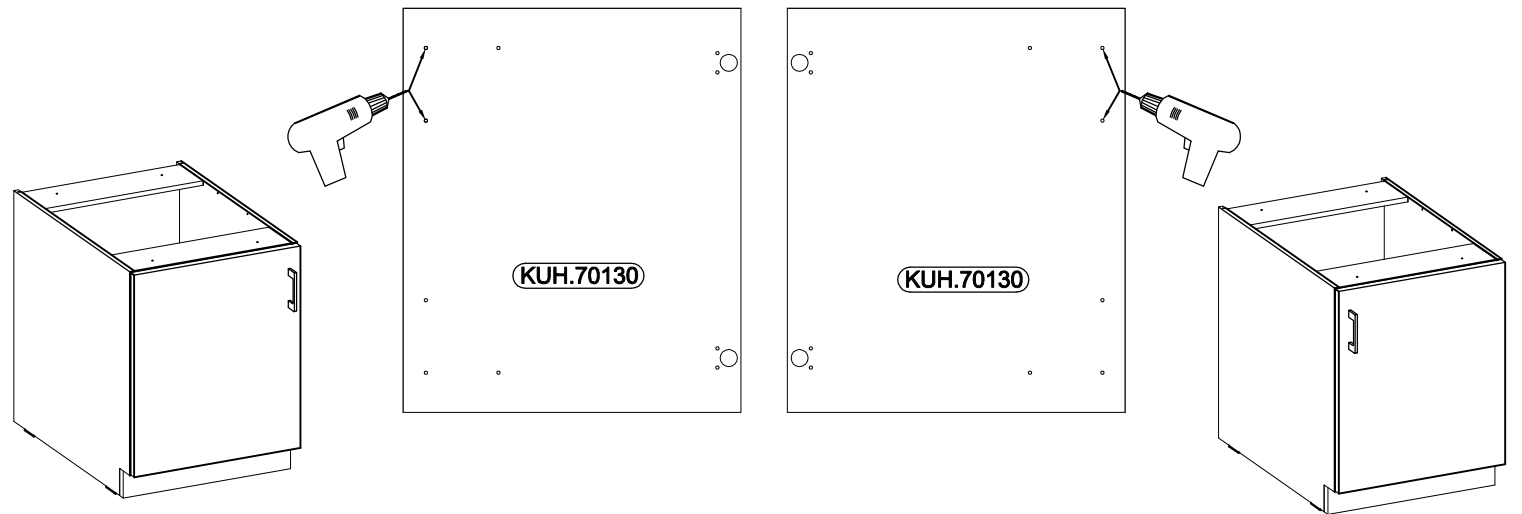
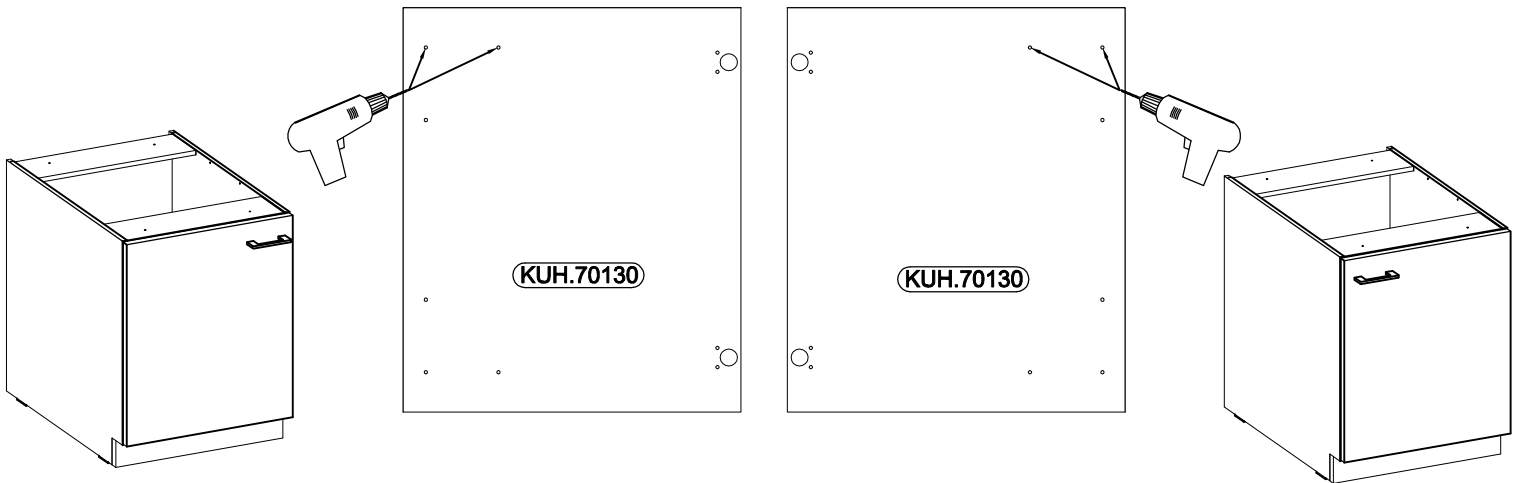
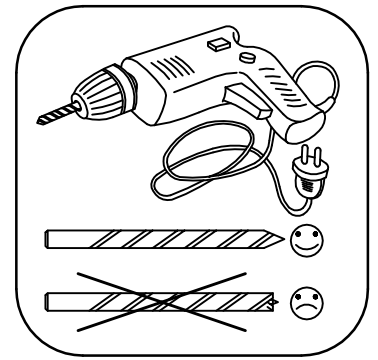
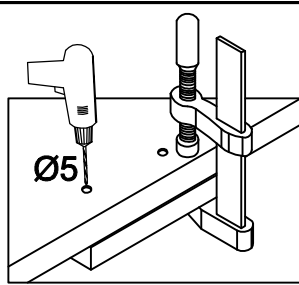


J

4

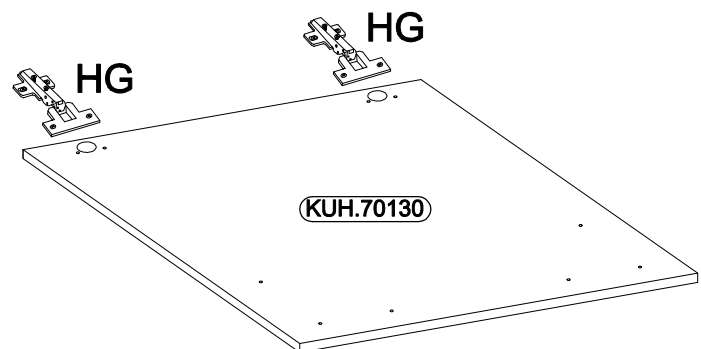
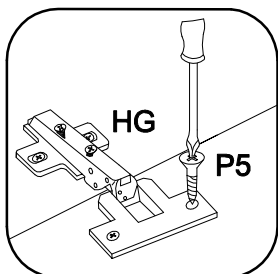




9



10

Ø35/0mm [CD] HG 2	Ø3.5x13mm P5 4
-------------------------	----------------------



Ø4.0x30mm	
	
R2	S
2	1

