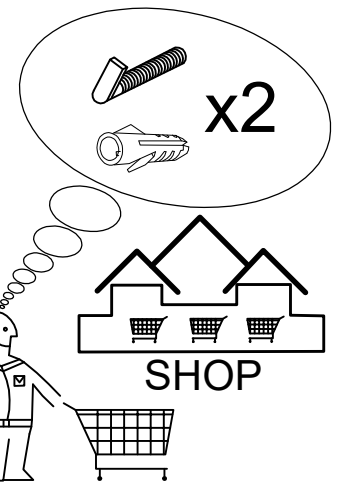
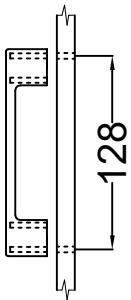
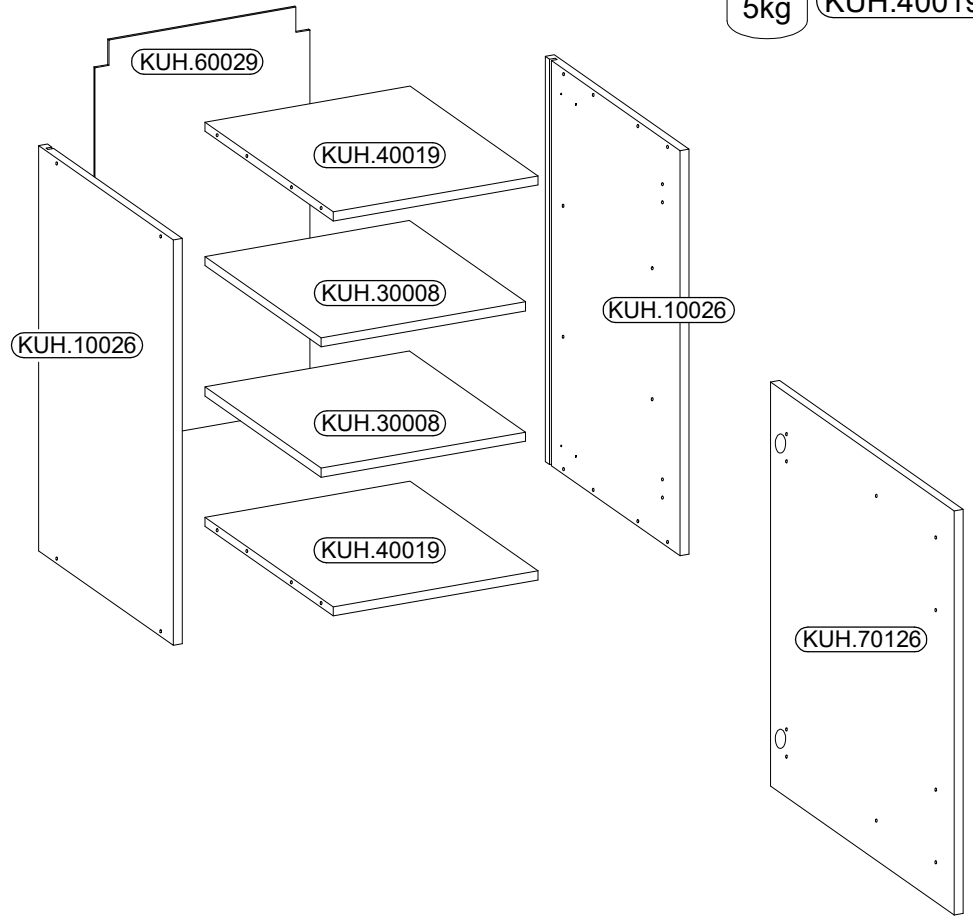
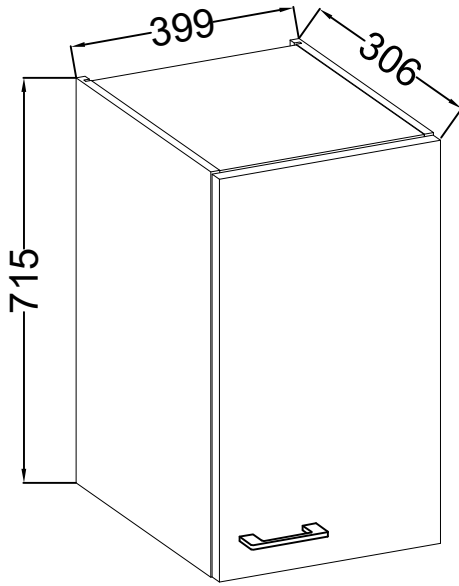


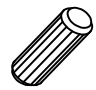

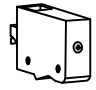
40 G - 72 1F

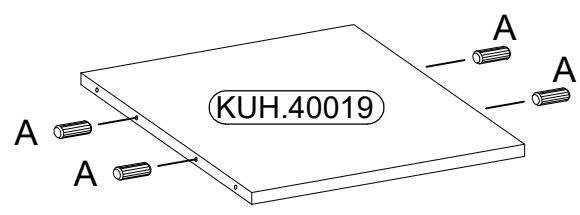
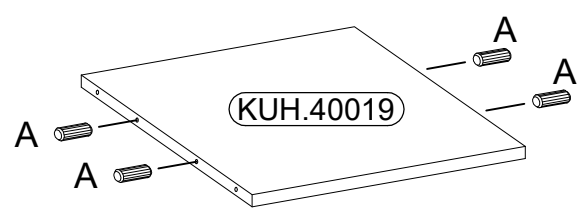
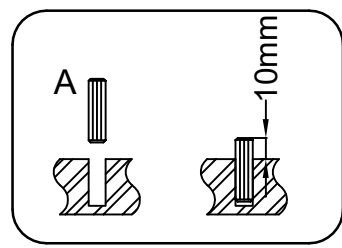
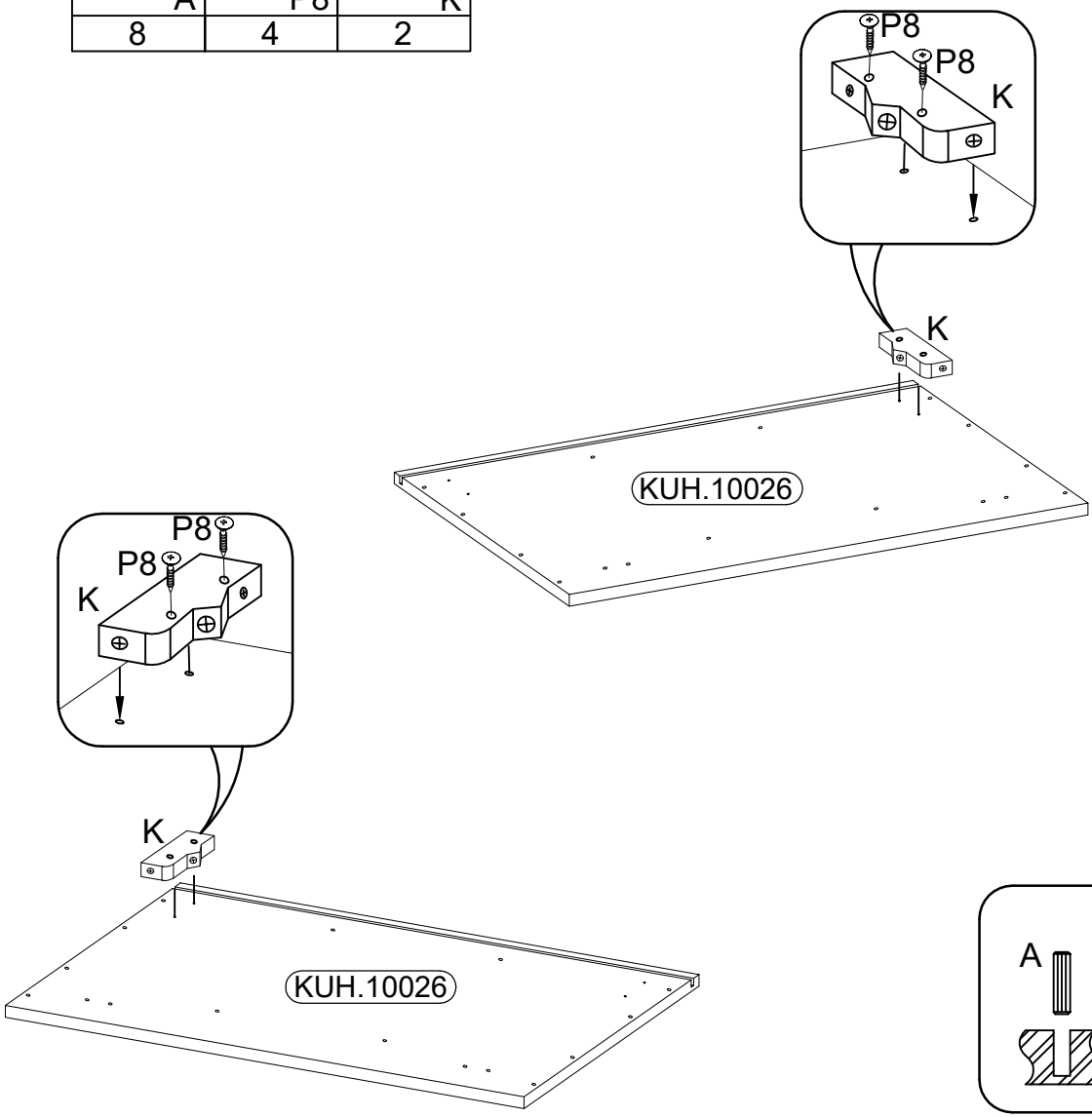
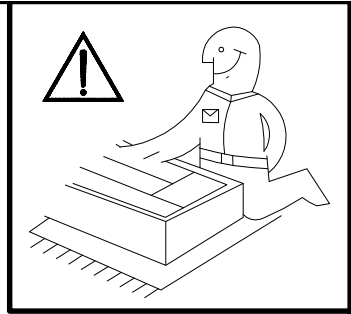


Ø8x30mm A	6,4 x 50mm B	E1	Ø35/0mm [CD] HG	S	Ø4.0x30mm R2
8	8	8	2	1	2
Ø5/19mm J	K	O	Ø3.5x13mm P5	Ø3.0x20mm P7	Ø4.0x30mm P8
8	2	1	4	8-10	4




ISM-KUH-01536

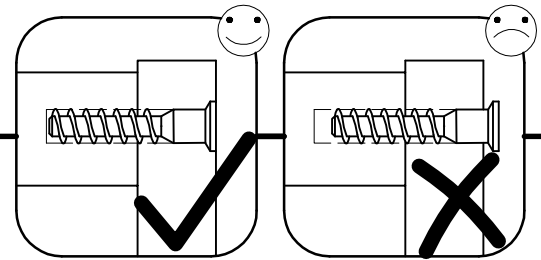
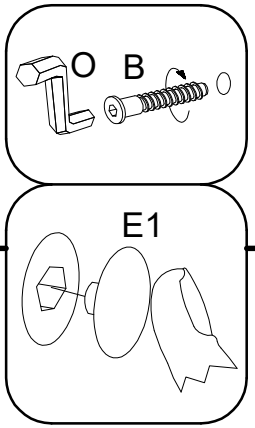
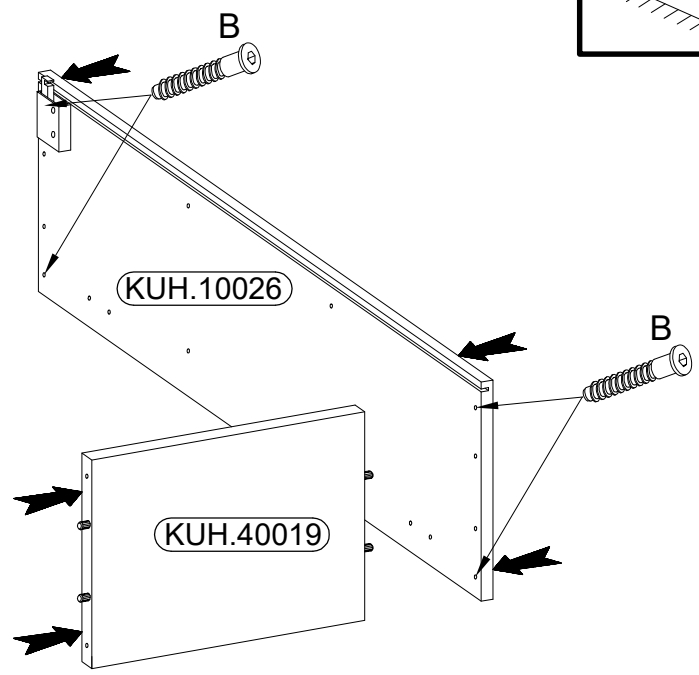
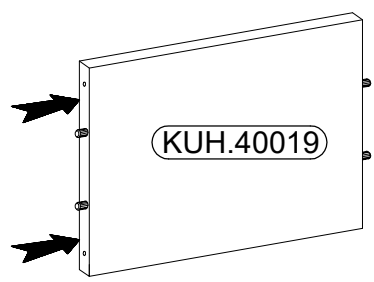
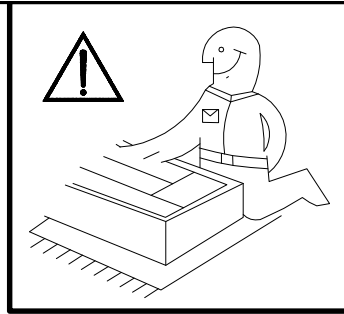
1

 A	 P8	 K
8	4	2

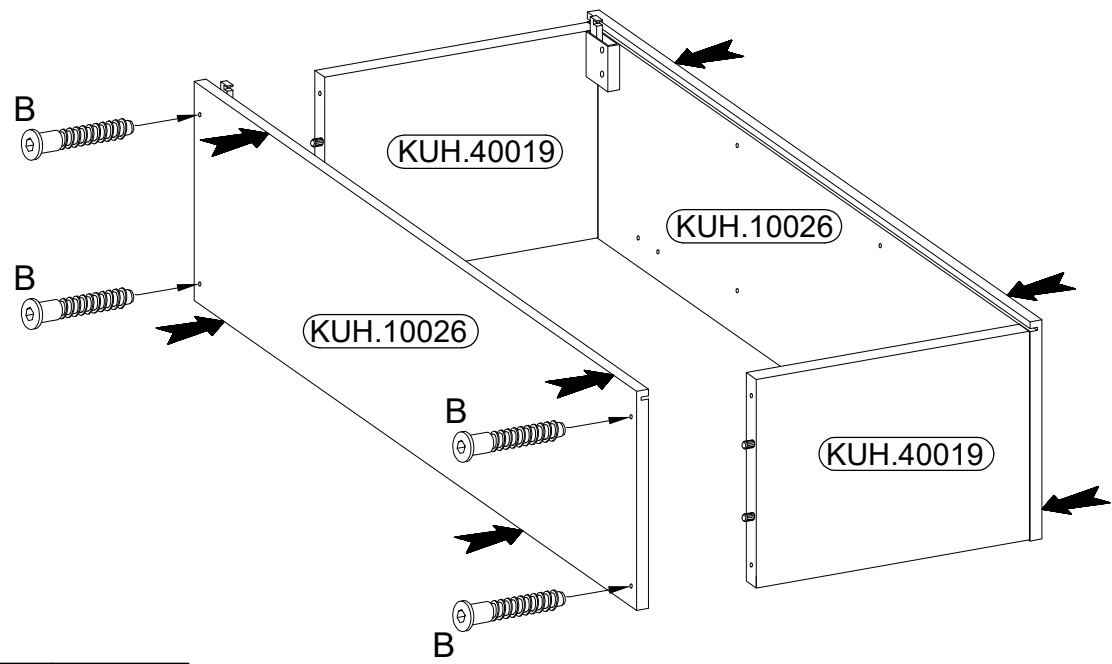





2

6,4 x 50mm		
		
B	O	E1
4	1	4

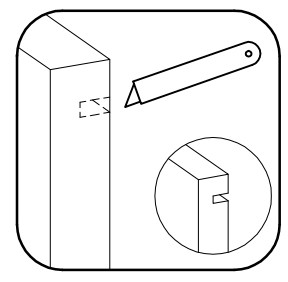
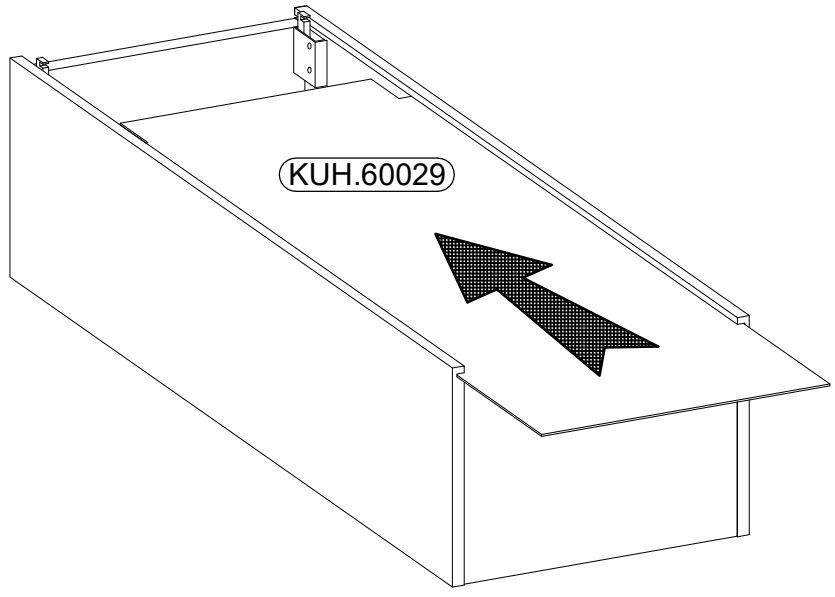
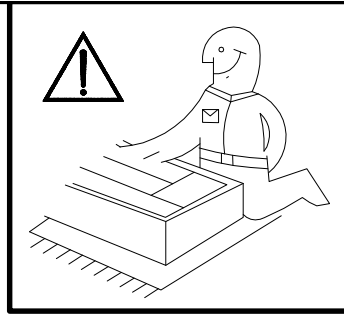


3

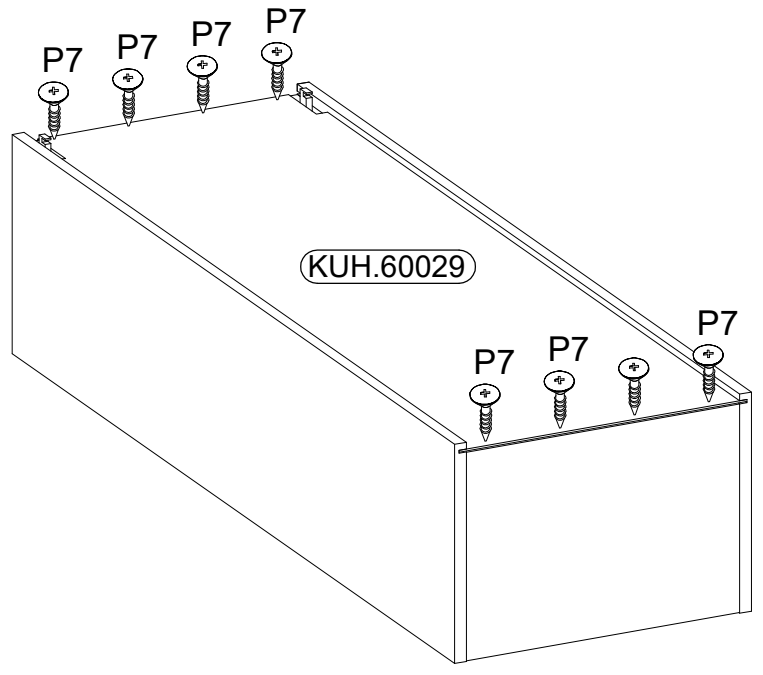
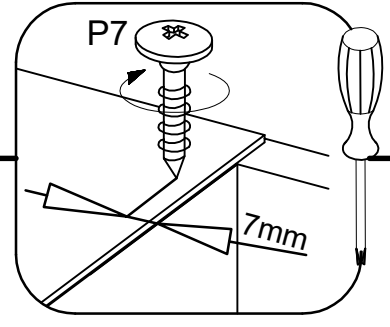
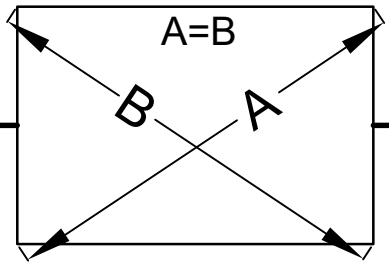
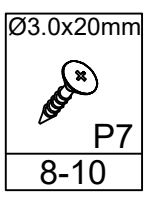


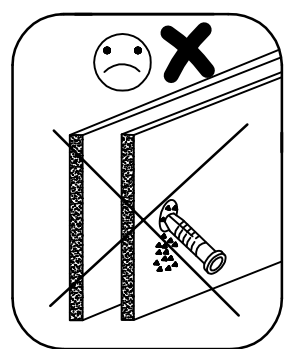
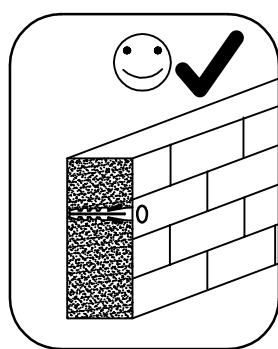
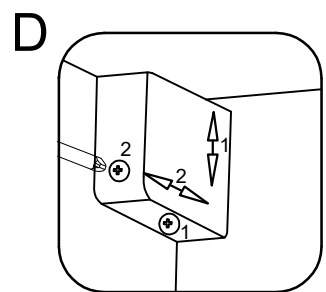
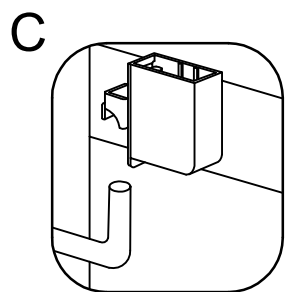
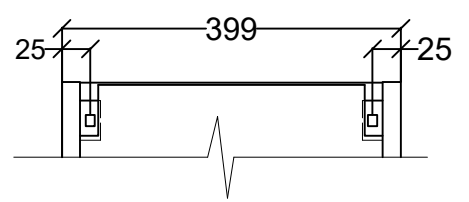
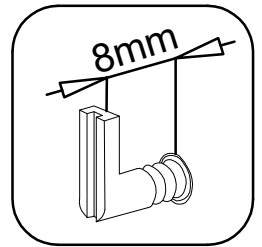
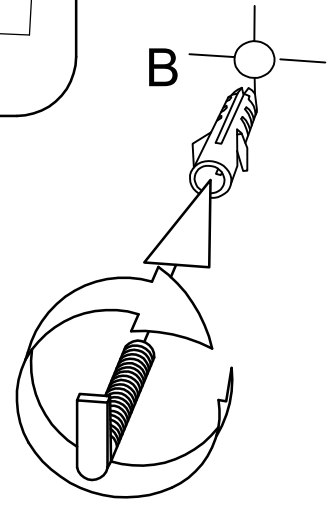
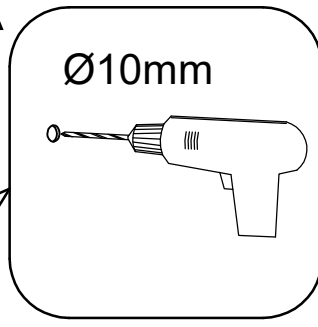
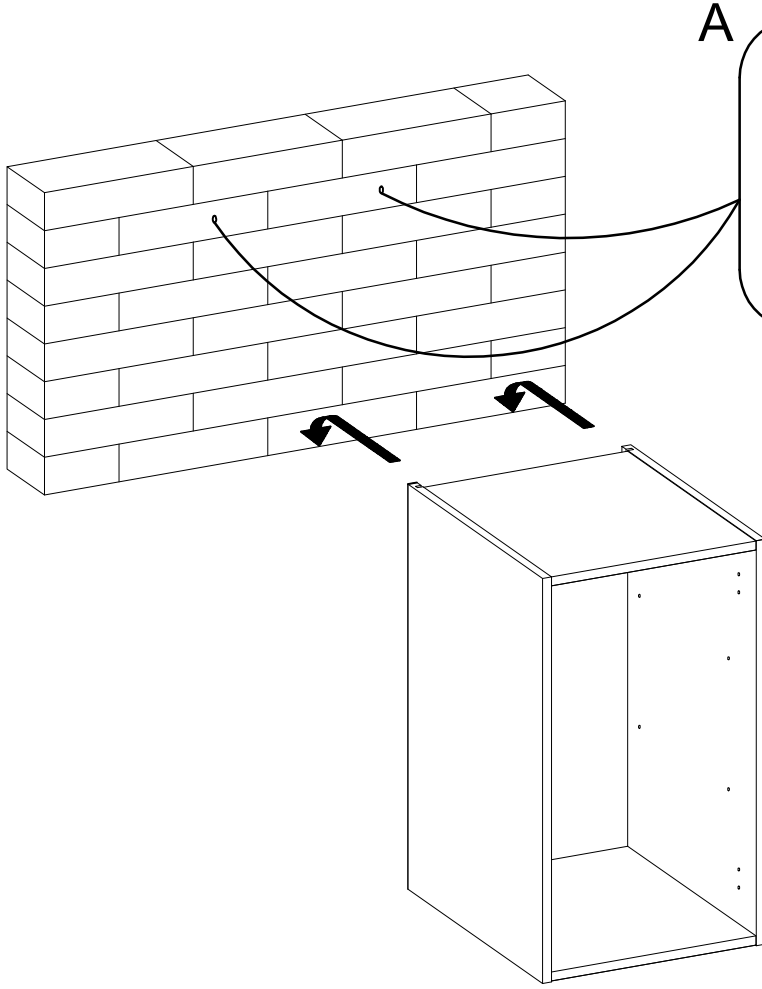
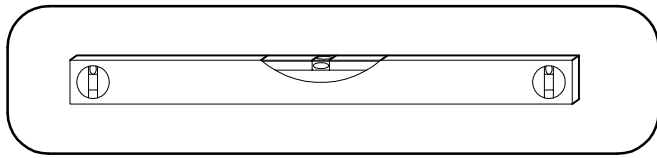
6,4 x 50mm		
		
B	O	E1
4	1	4

4

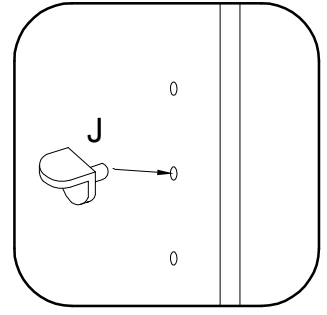
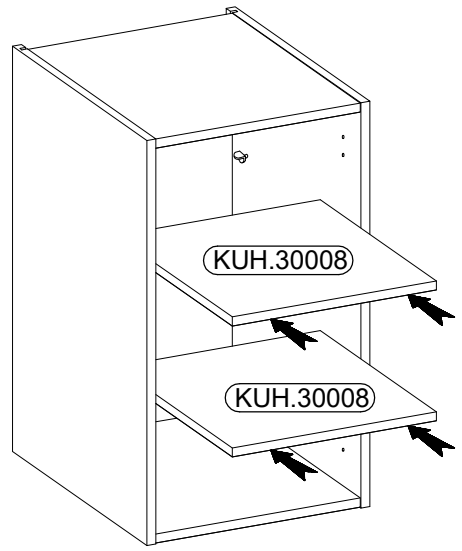
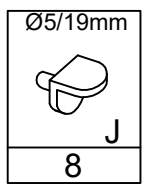


5

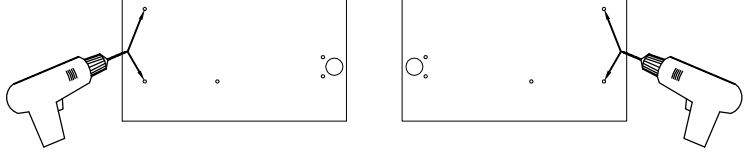
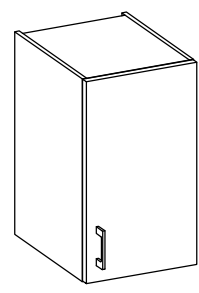
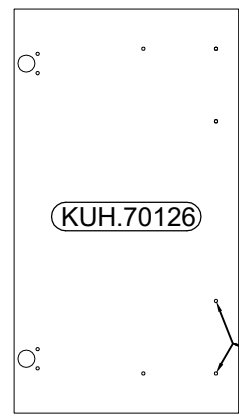
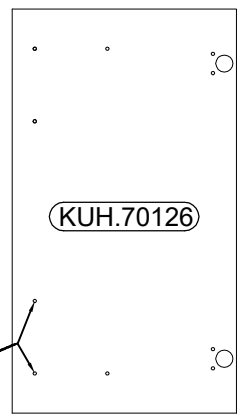
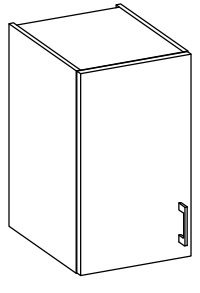
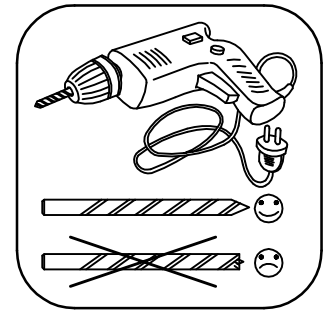
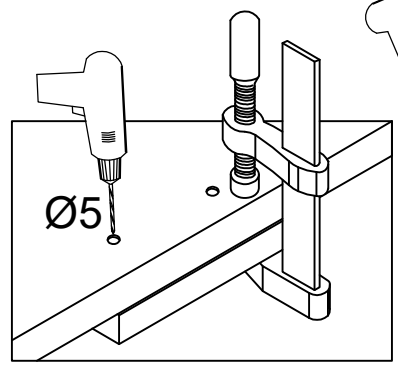
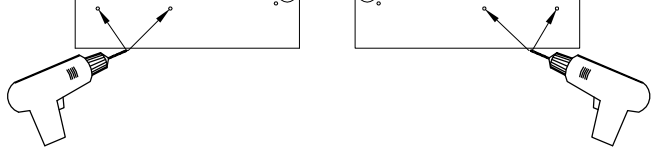
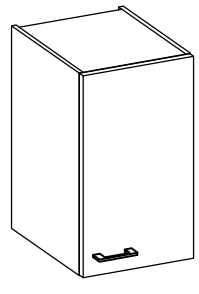
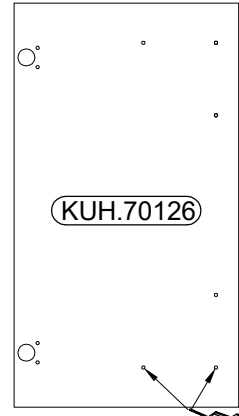
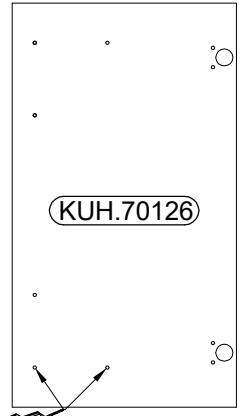
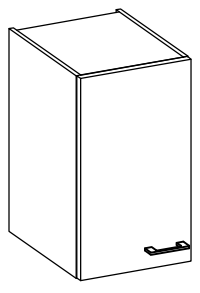




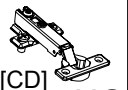

7

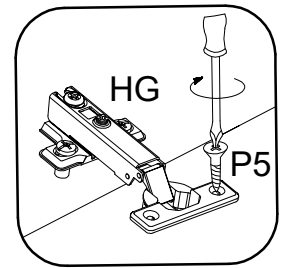
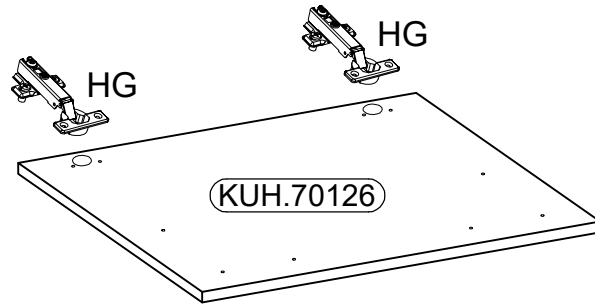


8





9

Ø35/0mm	Ø3.5x13mm
 HG	 P5
2	4



10

Ø4.0x30mm	
 R2	S
2	1

