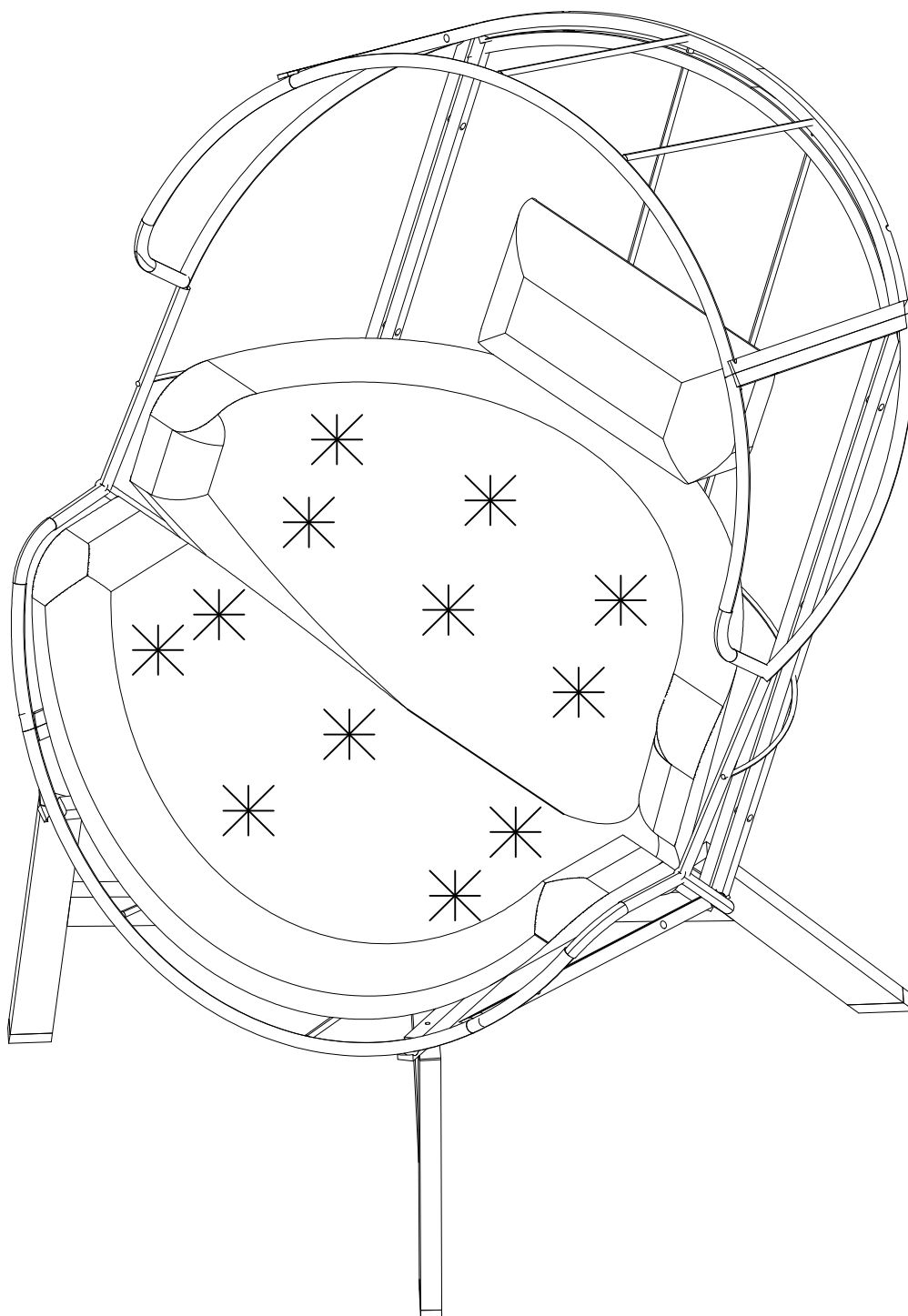
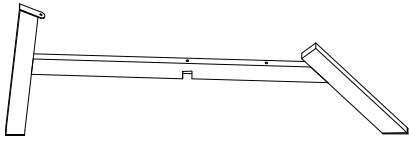


ASSEMBLY INSTRUCTION

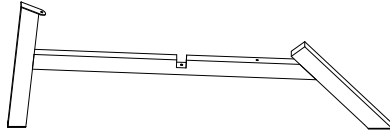
Dorota - 8043118



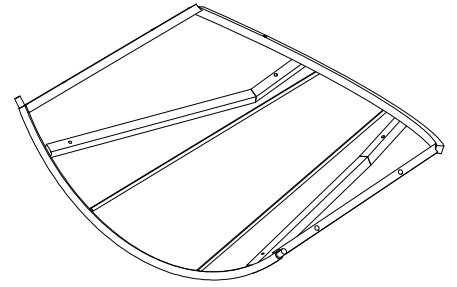
A x1



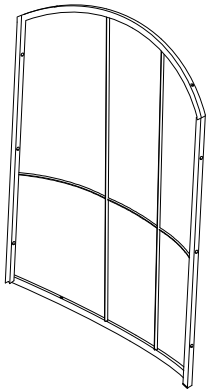
B x1



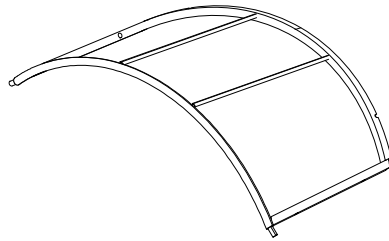
C x1



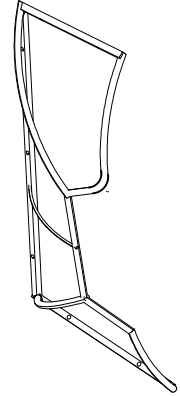
D x1



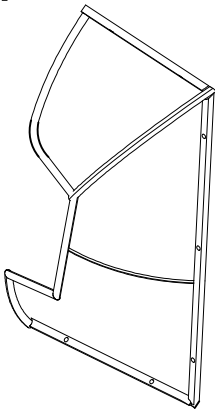
E x1



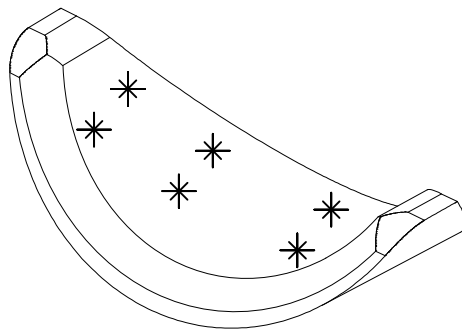
F x1



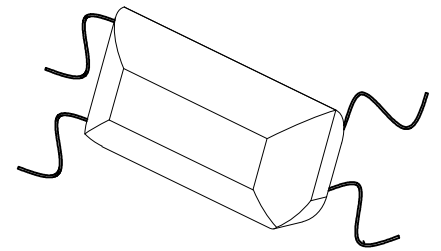
G x1

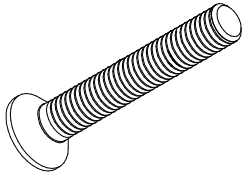
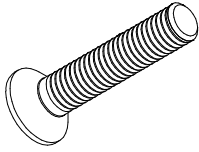
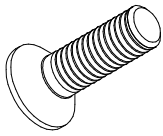
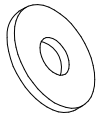
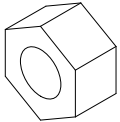
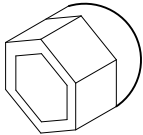
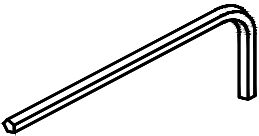
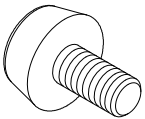


H x2





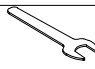


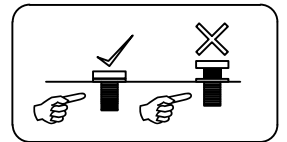
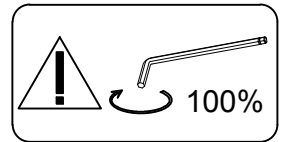
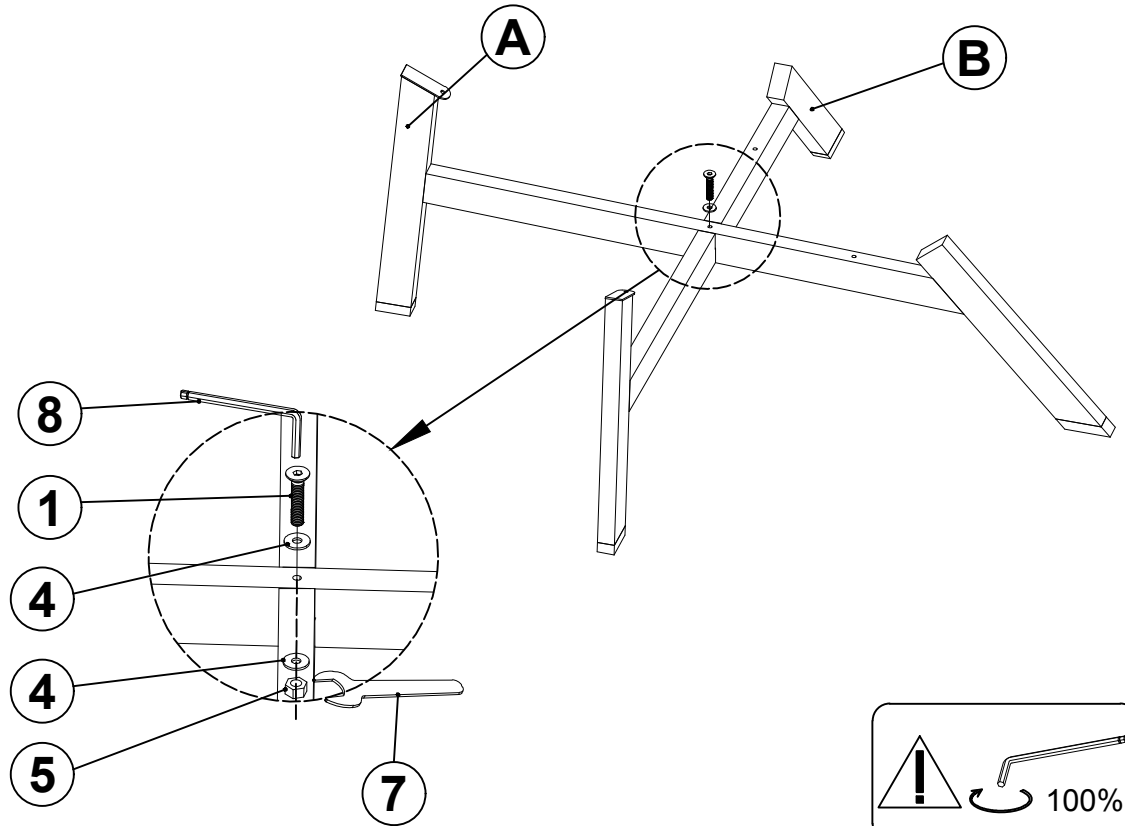
I x1



No			
①	M6 x 65 mm		3x
②	M6 x 50 mm		18x
③	M6 x 20 mm		2x
④	M6		42x
⑤	M6		19x
⑥			18x
⑦			1x
⑧			1x
⑨			4x

STEP 1





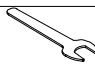
1	 (M6x65 mm)	1
4		2
5	 M6	1
8		1
7		1

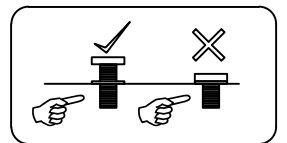
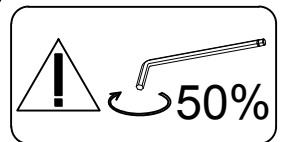
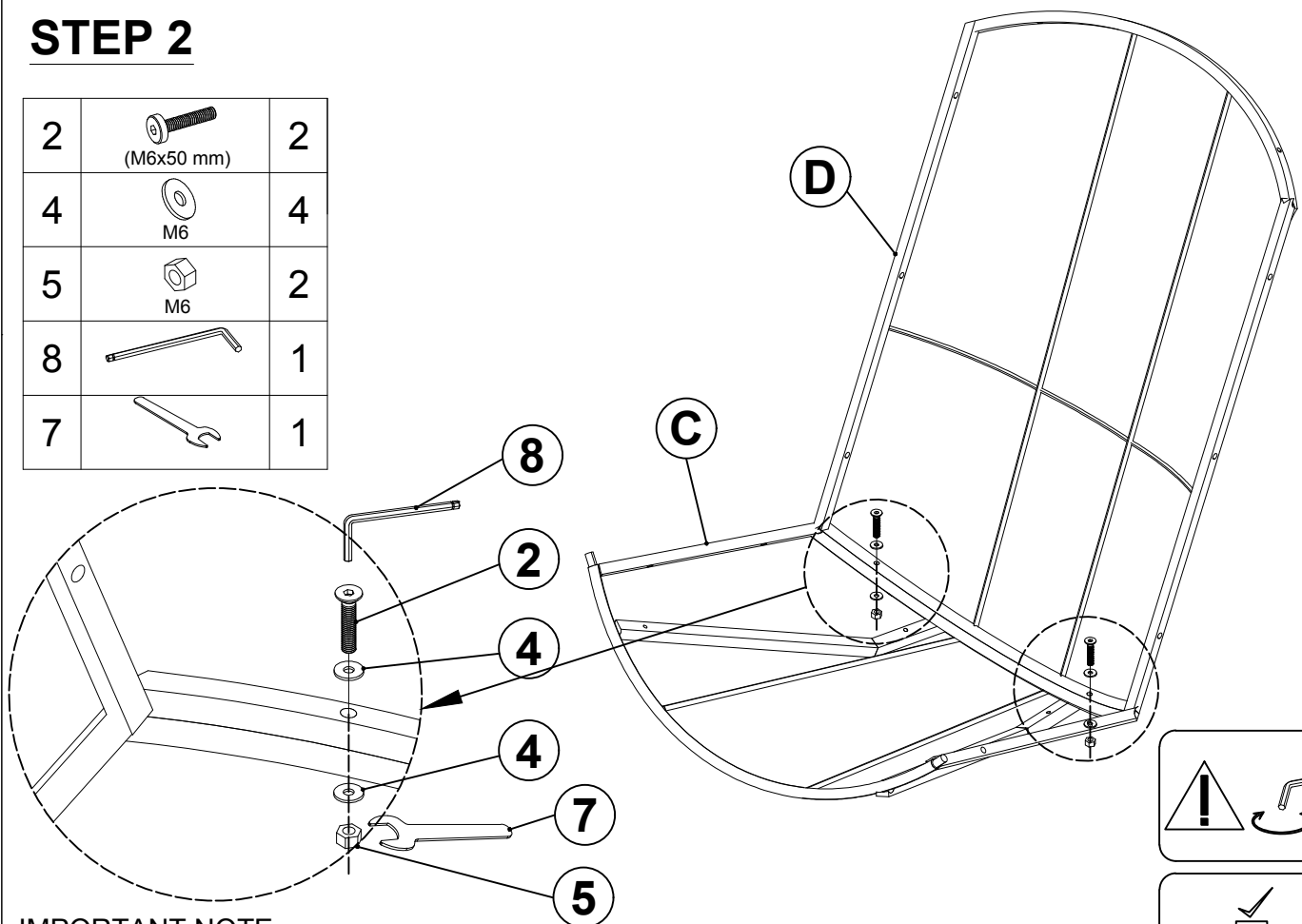


IMPORTANT NOTE:

Do not tighten all screws/bolts until all completely assembled.
Thank you.

STEP 2






2	 (M6x50 mm)	2
4	 M6	4
5	 M6	2
8		1
7		1

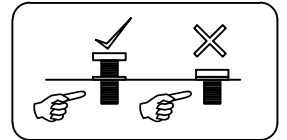
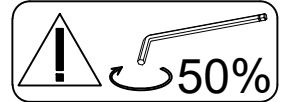
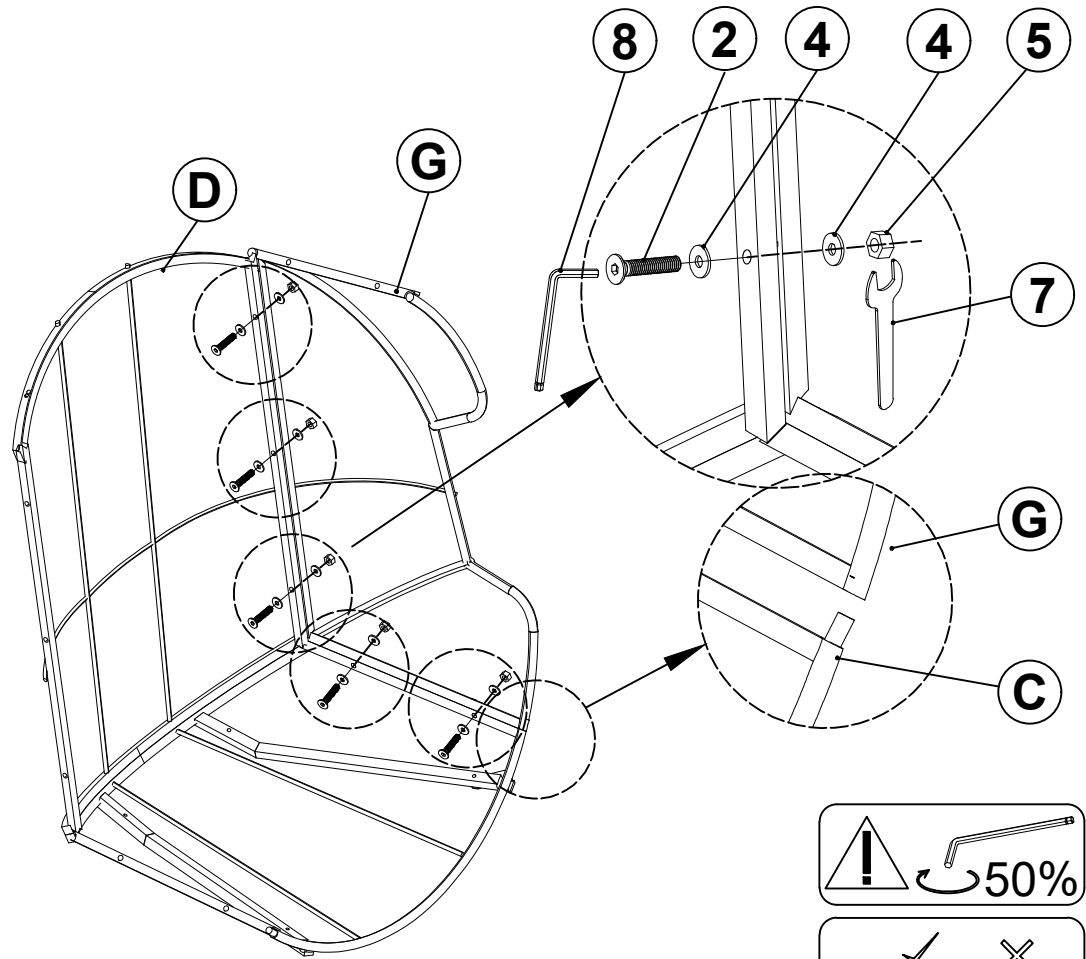


IMPORTANT NOTE:

Do not tighten all screws/bolts until all completely assembled.
Thank you.

STEP 3





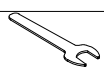
2	 (M6x50 mm)	5
4	 M6	10
5	 M6	5
8		1
7		1

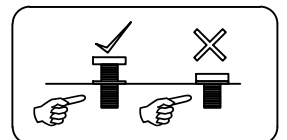
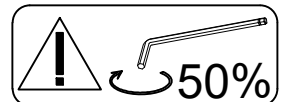
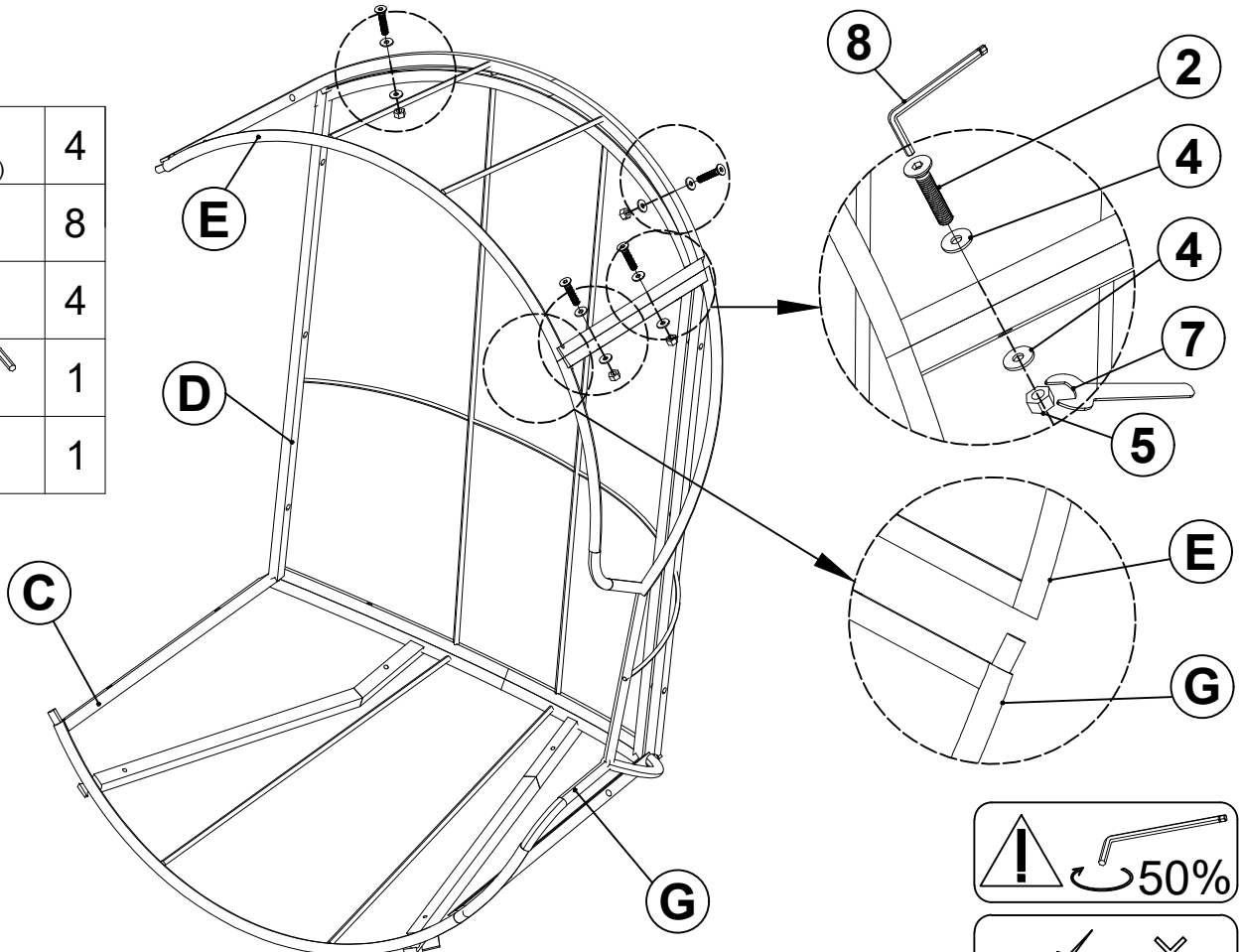


IMPORTANT NOTE:

Do not tighten all screws/bolts until all completely assembled.
Thank you.

STEP 4



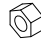


2	 (M6x50 mm)	4
4	 M6	8
5	 M6	4
8		1
7		1

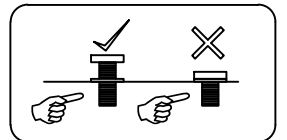
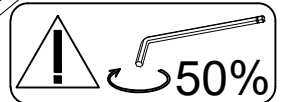
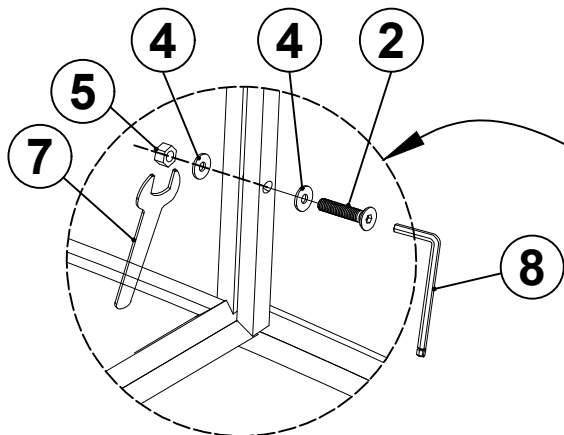


IMPORTANT NOTE:

Do not tighten all screws/bolts until all completely assembled.
Thank you.

STEP 5



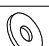

2	 (M6x50 mm)	7
4	 M6	14
5	 M6	7
8		1
7		1

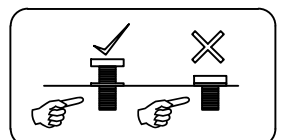
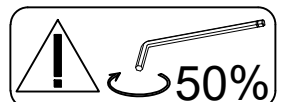
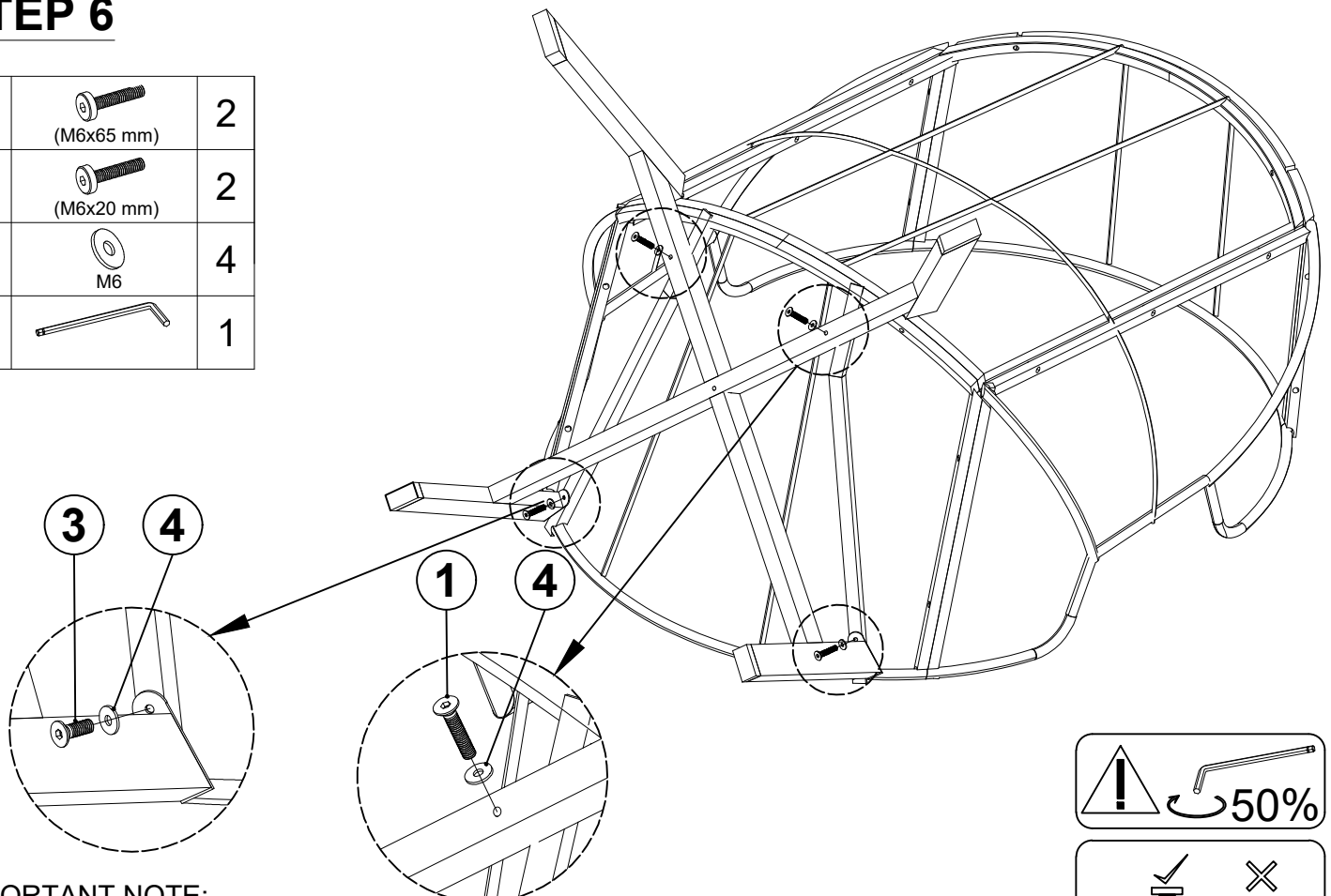


IMPORTANT NOTE:

Do not tighten all screws/bolts until all completely assembled.
Thank you.

STEP 6

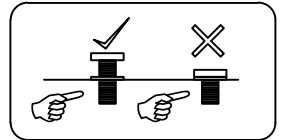
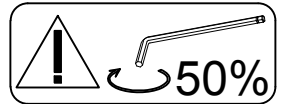
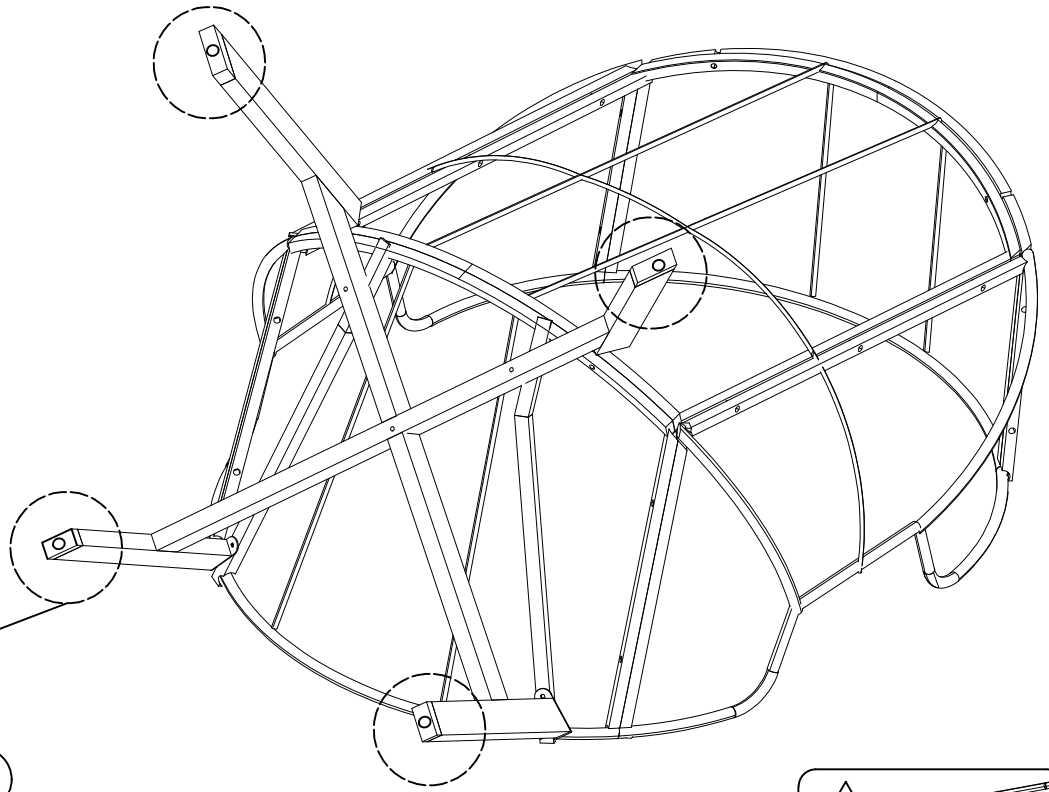
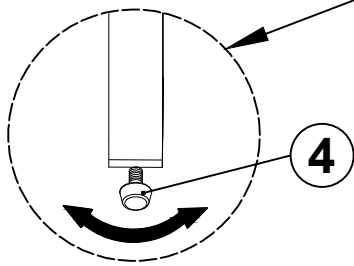
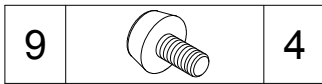
1	 (M6x65 mm)	2
3	 (M6x20 mm)	2
4	 M6	4
8		1



IMPORTANT NOTE:

Do not tighten all screws/bolts until all completely assembled.
Thank you.

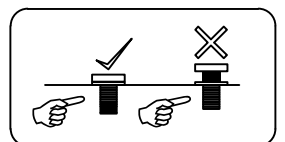
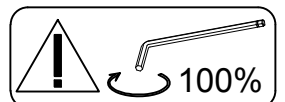
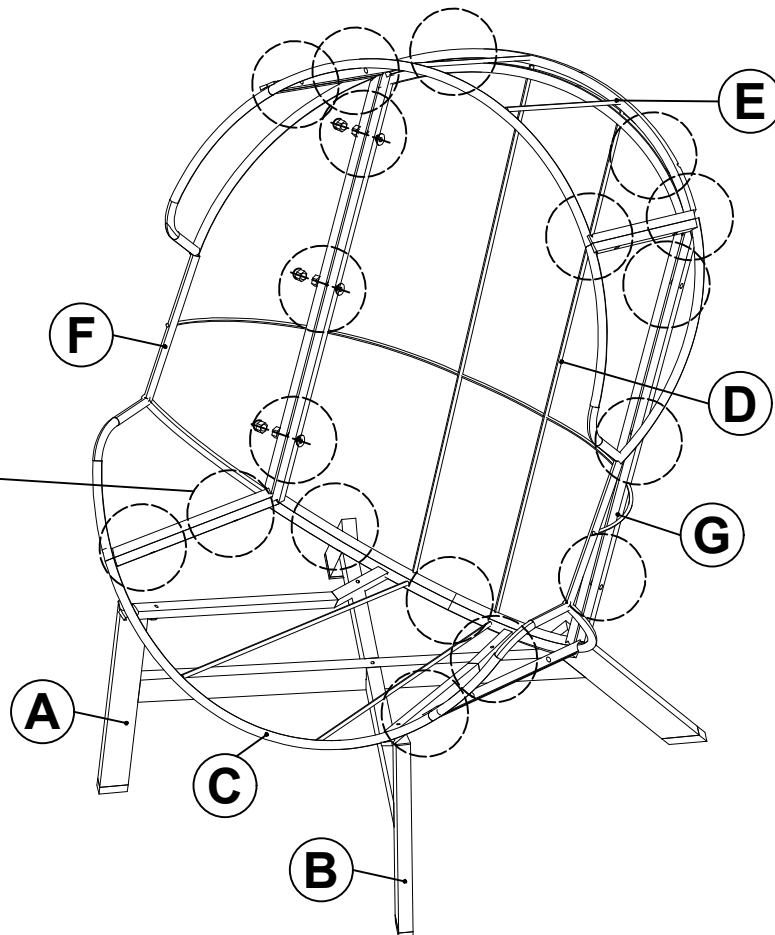
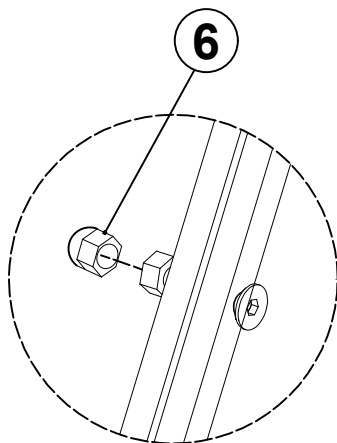
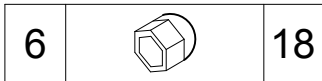
STEP 7



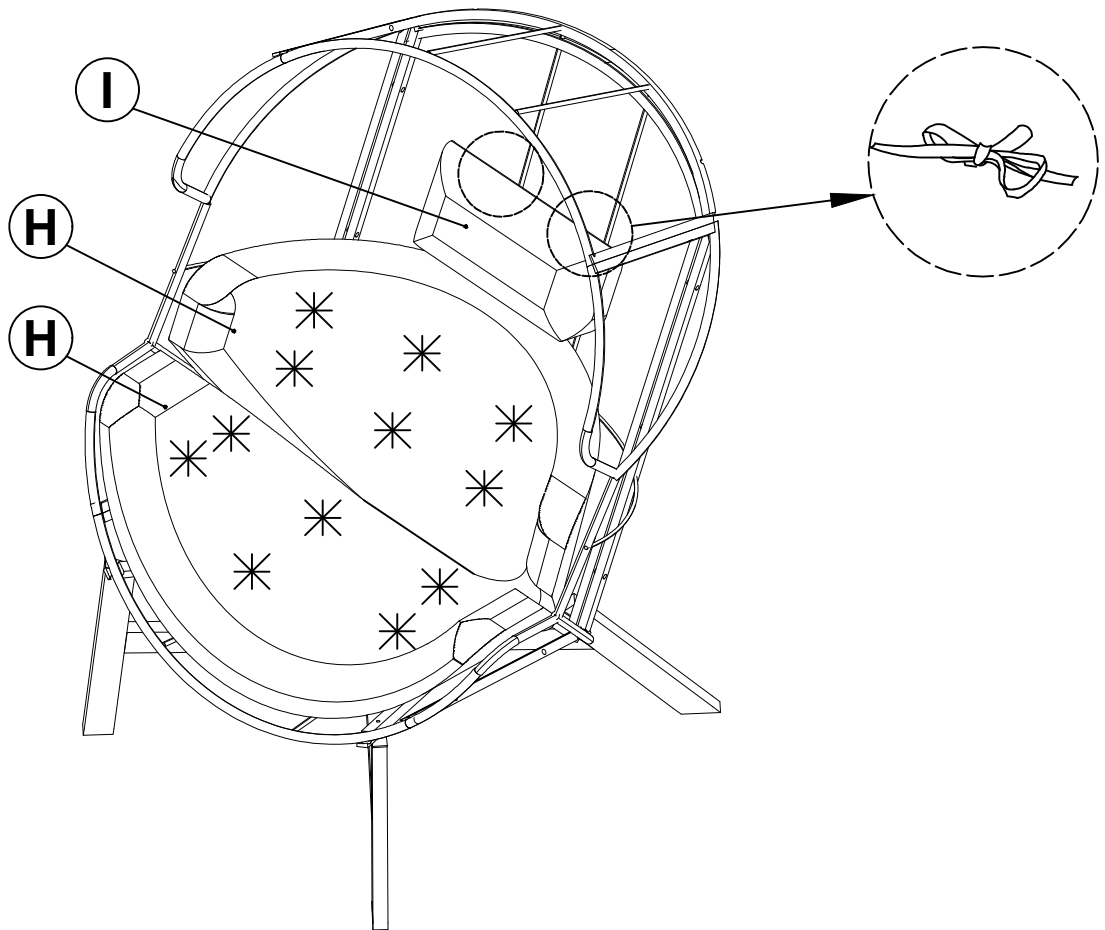
IMPORTANT NOTE:

Do not tighten all screws/bolts until all completely assembled.
Thank you.

STEP 8



STEP 9



STEP 10

